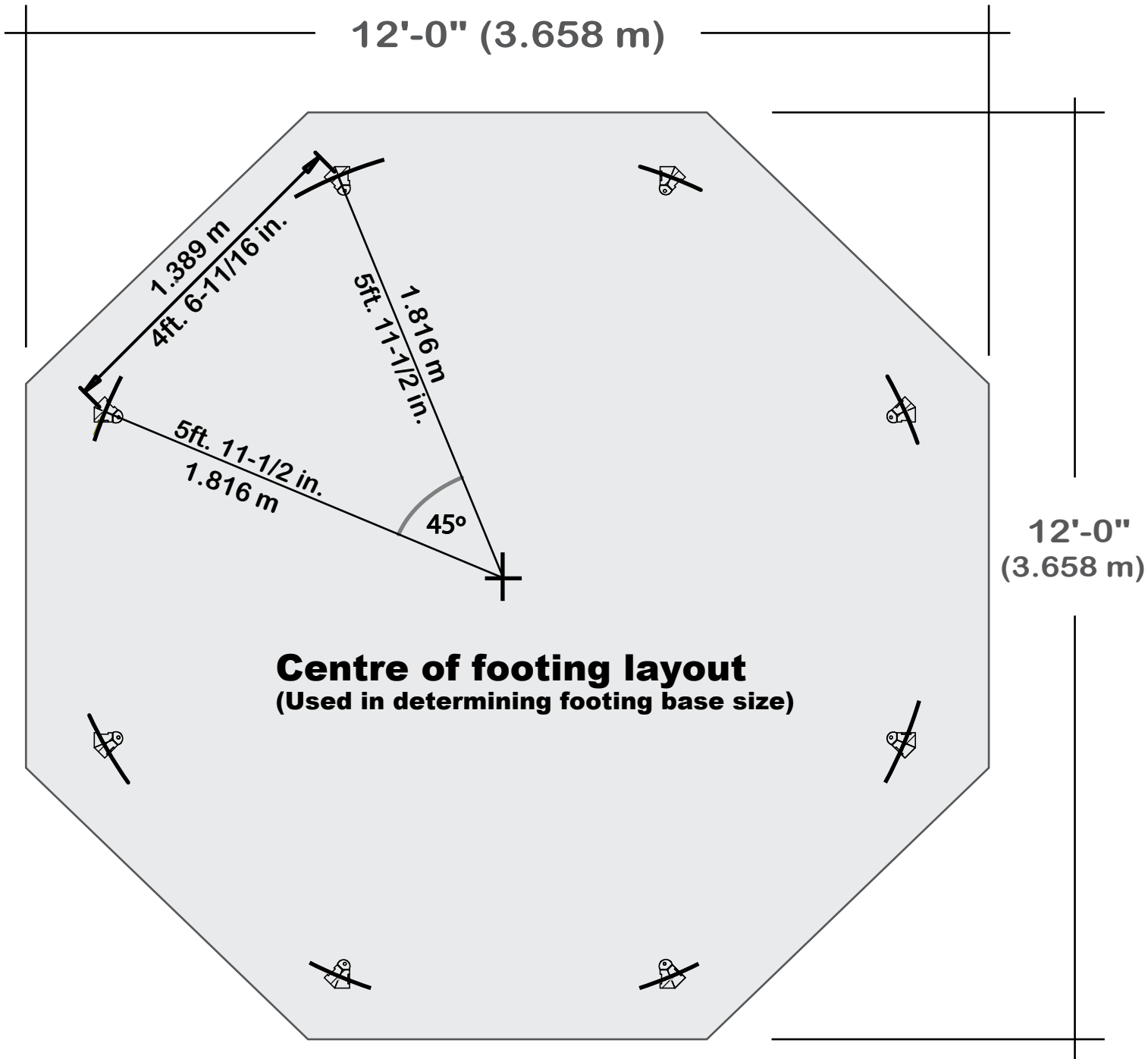
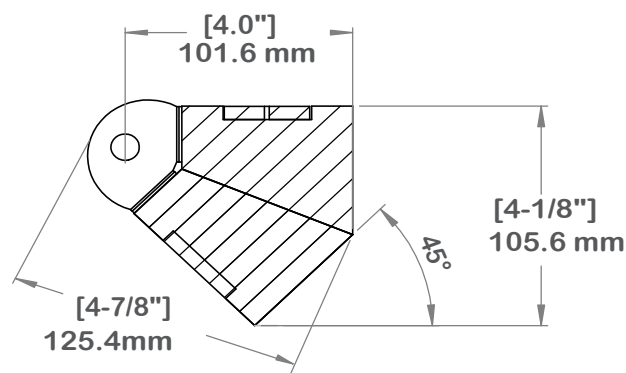


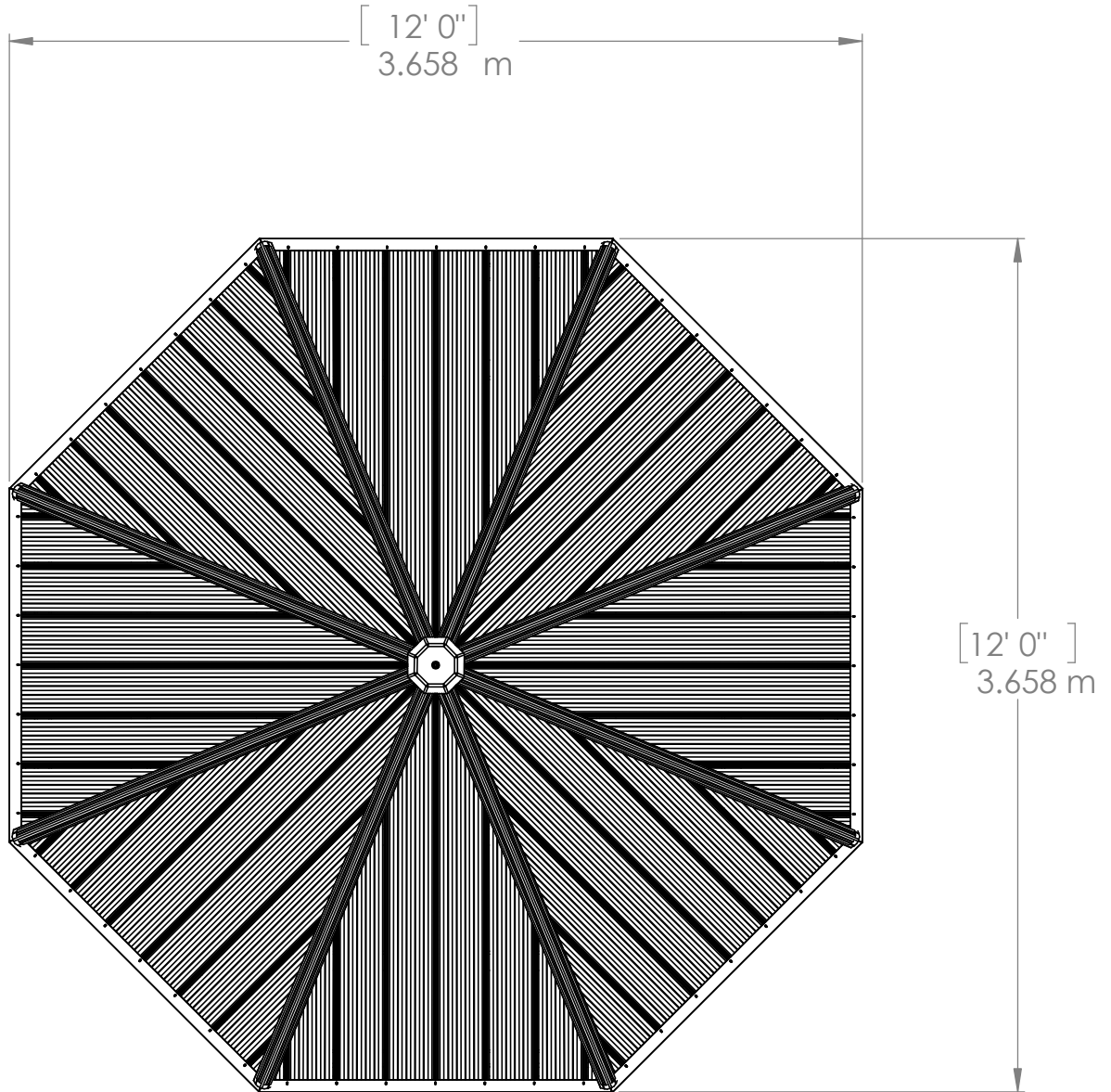
YM11924 - Meridian Octagon



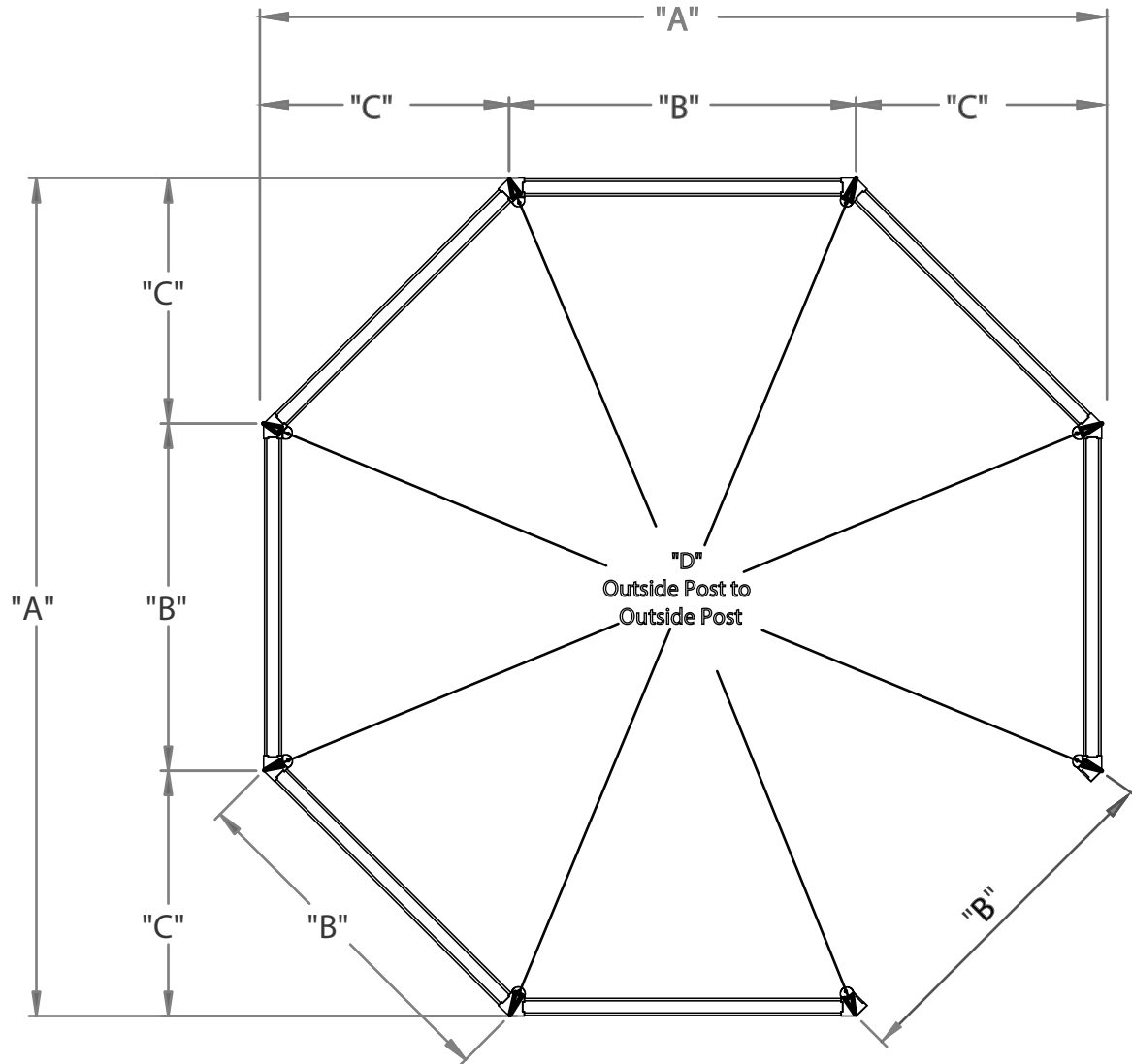
(Sample Footing Size)



YM11924 - Meridian Octagon



YM11924 - Meridian Octagon



Marker	Metric Dimension	Imperial Dimension
"A"	3.429 m	11'- 3"
"B"	1.421 m	4'- 7-15/16"
"C"	1.005 m	3'- 3-9/16"
"D"	3.716 m	12'- 2-5/16"

YM11924 - Meridian Octagon



Peak Height:

9' 11.3" (3.03m)

Roof Dimensions:

- 12' 0" (3.6m) x 12' 0" (3.6m)

Outside Post Dimensions:

- 11' 3" (3.4m) x 11' 3" (3.4m)

• Ground to bottom of beam:

- 6' 8.5" (2.04m)