

12' x 24' WOOD GAZEBO

with ALUMINUM ROOF

Installation and Operating Instructions – YM12784



IMPORTANT, RETAIN FOR FUTURE REFERENCE: READ CAREFULLY

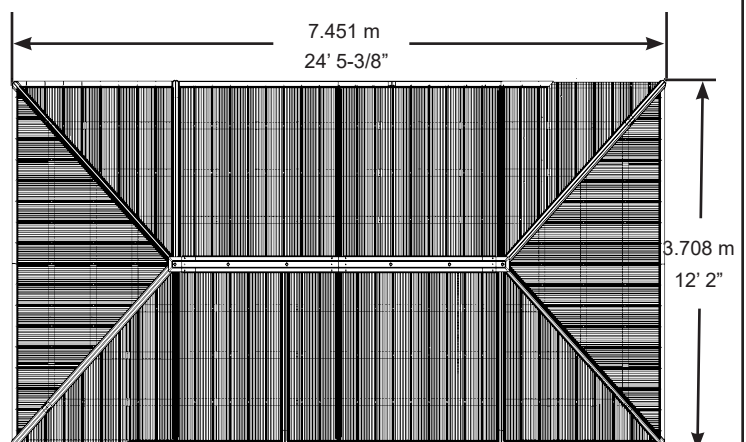
Revised 07-21-2022

YARDISTRY®

Yardistry – North America
Toll Free Customer Support: 1.888.509.4382
info@yardistrystructures.com
www.yardistrystructures.com

Regular Hours: Mon - Fri, 8:30 am - 5:00 pm EST
(excl. holidays)
(For extended hours see our website)
English and French Spoken

Patents Pending



HEIGHT:
3.099 m / 10'2"

Important Safety Notice!

Yardistry components are intended for privacy, decorative and ornamental use only.

Product is NOT INTENDED for the following:

- A safety barrier to prevent unsupervised access to pools, hot tubs, spas or ponds.
- As load bearing support for a building, structure, heavy objects or swings.
- Used in structures that trap wind, rain or snow that would create extra load on the product.

Accumulated snow must be removed from roof.

DO NOT climb or walk on roof for any reason.

Permanent structures may require a building permit. As the purchaser and or installer of this product you are advised to consult local planning, zoning and building inspection departments for guidance on applicable building codes and/or zoning requirements.

Wood is NOT flame retardant and will burn. Grills, fire pits and chimineas are a fire hazard if placed too close to a Yardistry structure. Consult user's manual of the grill, fire pit or chiminea for safe distances from combustible materials.

Wear gloves to avoid injury from possible sharp edges of individual elements before assembly.

During installation, follow all safety warnings provided with your tools and use OSHA approved safety glasses. Some structures may require two or more people to install safely.

Check for underground utilities before digging or driving stakes into the ground!

During assembly it is important to closely follow the instructions. Complete the assembly on a solid, level surface and follow the instructions to square up, level and anchor the structure. This will reduce the gaps at wood connections during assembly.

General Information

General Information: Wood components are manufactured with Cedar (C. Lanceolata) which is protected with factory applied water-based stain. Knots, small checks (cracks) and weathering are naturally occurring and do not affect the strength of the product. Annual application of a water-based water repellent sealant or stain is important and will help reduce weathering and checks.

www.yardistrystructures.com

Questions?

Call toll free or write us at:
1 (888) 509-4382
support@yardistrystructures.com

Regular Hours: Mon - Fri, 8:30 am - 5:00 pm EST
(excl. holidays)
(For extended hours see our website)

English and French Spoken

Patents Pending

Limited Warranty

Yardistry warrants that this product is free from defect in materials and workmanship for a period of one (1) year from the original date of purchase. In addition, for any product with lumber, all lumber is warranted for five (5) years against rot and decay. This warranty applies to the original owner and registrant and is non-transferable.

Regular maintenance is required to assure the integrity of your product and is a requirement of the warranty. This warranty does not cover any inspection costs.

This Limited Warranty does not cover:

- Labour for replacement of any defective item(s);
- Incidental or consequential damages;
- Cosmetic defects which do not affect performance or integrity;
- Vandalism; improper use or installation; acts of nature, including but not limited to wind, storms, hail, floods, excessive water exposure;
- Minor twisting, warping, checking or any other natural occurring properties of wood that do not affect performance or integrity.

Yardistry products have been designed for safety and quality. Any modifications made to the original product could damage the structural integrity of the product leading to failure and possible injury. Yardistry cannot assume any responsibility for modified products. Furthermore, modification voids any and all warranties.

This product is warranted for RESIDENTIAL USE ONLY. Yardistry disclaims all other representations and warranties of any kind, express or implied.

This Warranty gives you specific legal rights. You may have other rights as well which vary from state to state or province to province. This warranty excludes all consequential damages, however, some states/provinces do not allow the limitation or exclusion of consequential damages, and therefore this limitation may not apply to you.

Instructions for Proper Maintenance

Your Yardistry structure is designed and constructed of quality materials. As with all outdoor products it will weather and wear. To maximize the enjoyment, safety and life of your structure it is important that you, the owner, properly maintain it.

HARDWARE:

- Check metal parts for rust. If found, sand and repaint using a non-lead paint complying with 16 CFR 1303.
- Inspect and tighten all hardware after completion of assembly; after first month of use; and then annually. Do not over-tighten as to cause crushing and splintering of wood.
- Check for sharp edges or protruding screw threads, add washers if required.

WOOD PARTS:

- Applying a water repellent or stain (water-based) on a yearly basis is important maintenance to maintain maximum life and performance of the product.
- Check all wood members for deterioration, structural damage and splintering. Sand down splinters and replace deteriorated wood members. As with all wood, some checking and small cracks in grain is normal
- Some gapping may occur at some wood connections.

Assembly Guides

Tools Required:

- | | | |
|------------------------------|----------------------|---------------------------|
| • Tape Measure | • 8' Step Ladder x 2 | • 6' Step Ladder x 2 |
| • Carpenters Level | • Safety Glasses | • Square |
| • Standard or Cordless Drill | • Adult Helper | • Ratchet |
| • Claw Hammer | • Safety Gloves | • 7/16, 1/2 & 9/16 Socket |
| • 7/16" & 9/16" Wrench | • Hard Hat | |

Symbols:

Throughout these instructions symbols are provided in the top, right-hand corner of the page.



- Use Help, where this is shown, 2, 3 or 4 people are required to safely complete this step. To avoid injury or damage to the assembly make sure to get some help.



- Use a measuring tape to assure proper location



- Pre-drill a pilot hole before fastening screw or lag to prevent splitting of wood.

If you dispose of your Yardistry structure: Please disassemble and dispose of your unit so that it does not create any unreasonable hazards at the time it is discarded. Be sure to follow your local waste ordinances.

Assembly Tips

Following are some helpful tips to make the assembly process smooth and efficient.

PRE-ASSEMBLIES:

(i.e. Post and Beam Assemblies, Roof Rafter Assembly, etc)

- Work on a raised, solid and flat surface such as, a table or saw horse.
- Keep all connections flush where shown in the instructions.
- When assembling the beams keep parts flat, straight and snug when connecting.

METAL PARTS:

- Roofing material may have sharp edges, wear safety gloves.
- Remove all plastic covering, on both sides of the metal panels, directly before installing each piece.
- Place roofing material on a non-abrasive surface before and after assembly as it can bend, dent and scratch easily.
- The roofing screws can easily crush the roof panels and roof edges when using a power drill. We recommend hand tightening the roofing screws so they sit snug and tight to the roofing material.

Permanent Installation Examples

Note: It is critically important you start with square, solid and level footings, concrete pad or deck to attach your Pergola Room.

We supply Post Mounts with this structure which gives you the flexibility to permanently install your structure to a pre-existing or new wood or concrete surface.

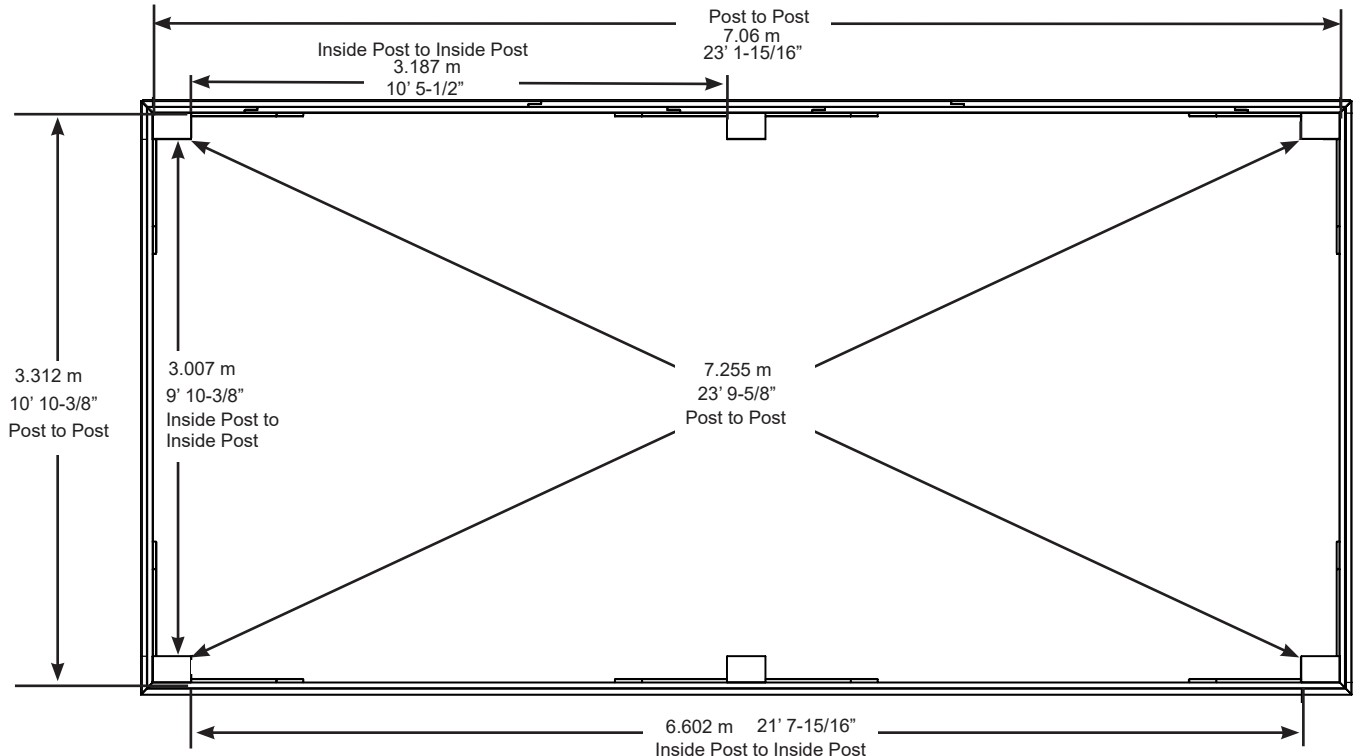
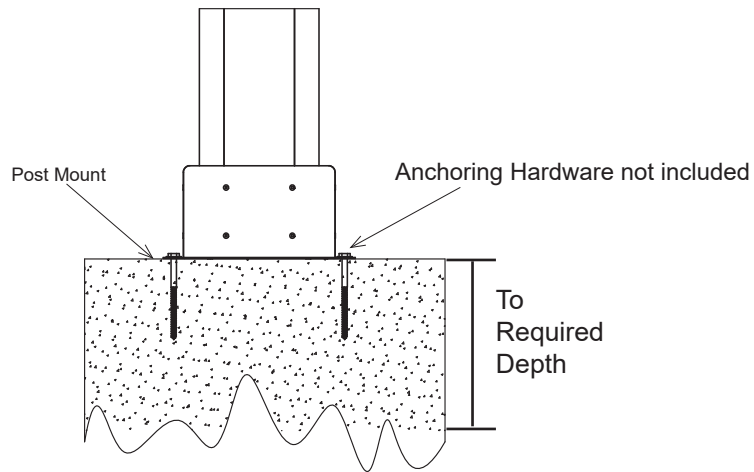
- The hardware to attach the Post Mount to the structure is included.
- The hardware to mount the structure permanently will need to be purchased separately at your local hardware store.

If you are mounting to concrete footers see below for the correct locations and placement. Please double check for possibility of any underground utilities such as gas, telephone, cable or sprinkler lines.

Following are some examples of how to mount the structure to wood or concrete surfaces.

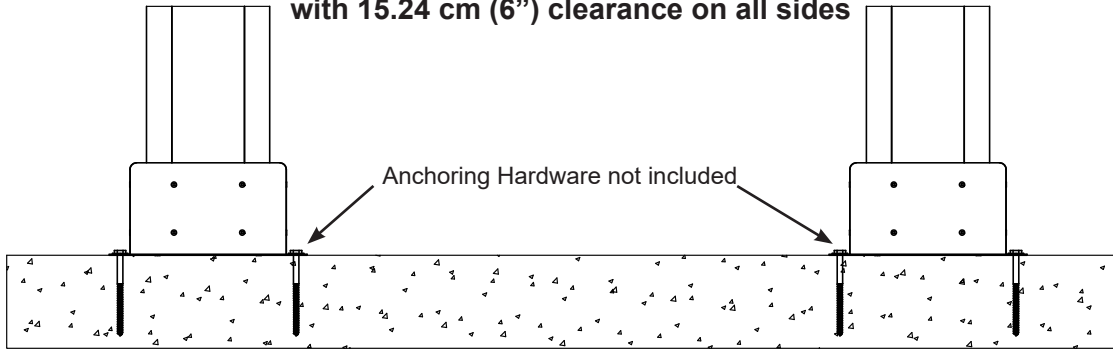
Refer to your local building and city codes, ordinances, neighbourhood covenants, or height restrictions regarding this type of structure for guidance on acceptable installation requirements.

Concrete Footer

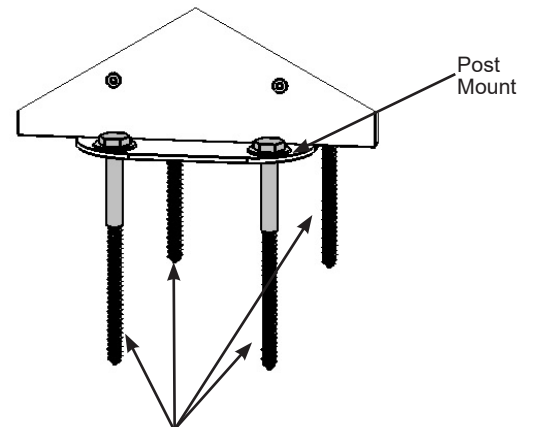
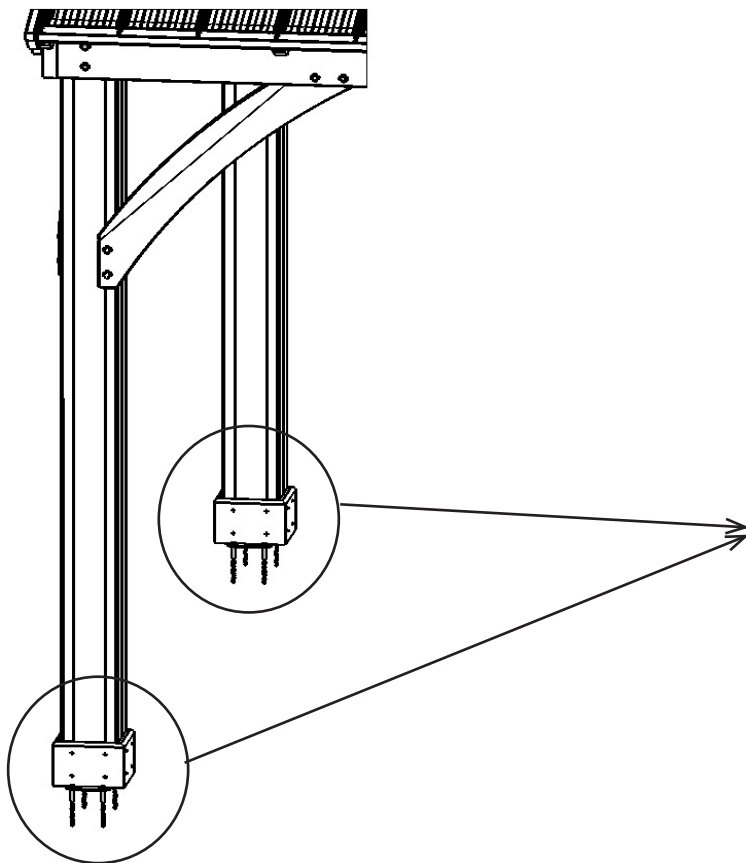
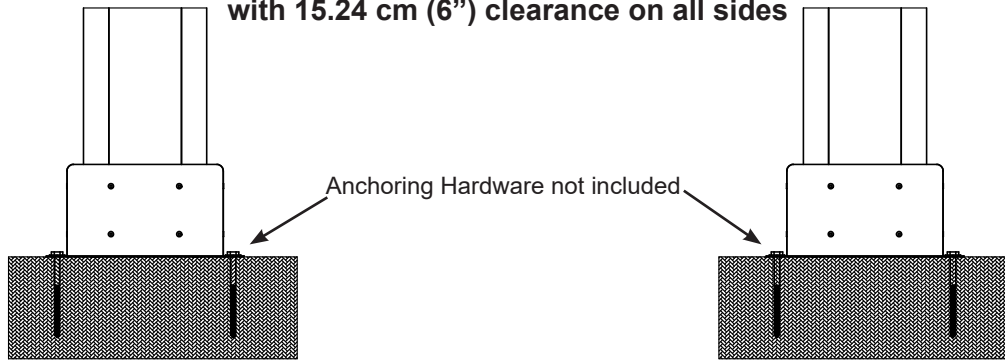


Permanent Installation Examples cont.

**Concrete Patio [min. 3.616 m x 7.364 m (11' 10-3/8" x 24' 1-15/16")]
with 15.24 cm (6") clearance on all sides**



**Wood Deck [min. 3.616 m x 7.364 m (11' 10-3/8" x 24' 1-15/16")]
with 15.24 cm (6") clearance on all sides**

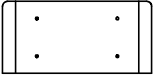


Post Mounts have a 12.7 mm (1/2") diameter hole for anchoring hardware.

Part Identification (

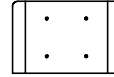
Dimensions are approximate and are shown to assist in the identification of parts for assembly. Actual dimensions may be smaller or larger.

12pc. (460) Plinth Long FSC
276.2mm (10-7/8")

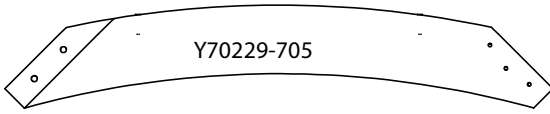


Y50229-460

12pc. (459) Plinth FSC
200mm (7-7/8")

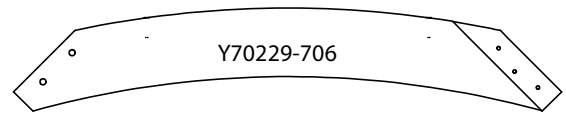


Y50229-459



Y70229-705

6pc. (705) Gusset RT FSC 1015mm (39-15/16")



Y70229-706

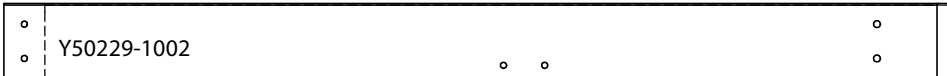
6pc. (706) Gusset LT FSC 1015mm (39-15/16")

2pc. (1003) Beam Short Right FSC 1763.3mm (69-7/16")



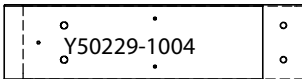
Y50229-1003

2pc. (1002) Beam Short Left FSC 1763.3mm (69-7/16")



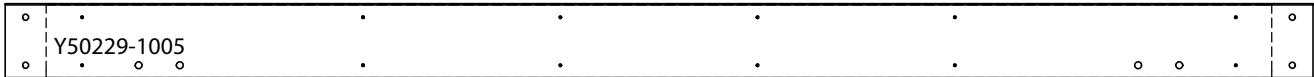
Y50229-1002

4pc. (1004) Beam Short End FSC 555.4mm (21-7/8")



Y50229-1004

2pc. (1005) Beam Short Centre FSC 2422.1mm (95-3/8")



Y50229-1005

4pc. (1201) Inside Middle Beam FSC 2590.8mm (102")



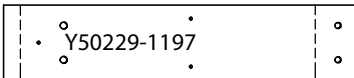
Y50229-1201

2pc. (1196) Beam FSC 2590.8mm (102")



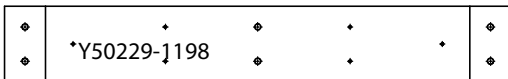
Y50229-1196

4pc. (1197) Beam End FSC 657.3mm (25-7/8")



Y50229-1197

2pc. (1198) Inside Beam FSC 938.1mm (36-15/16")



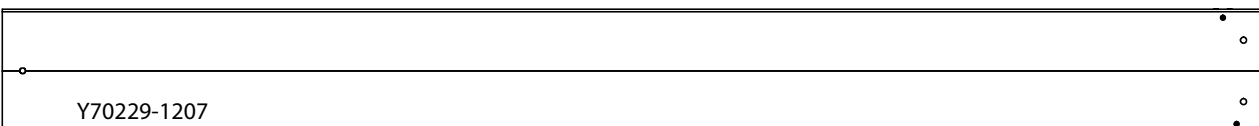
Y50229-1198

4pc. (1199) Outer Ends FSC 2380.5mm (93-11/16")



Y50229-1199

2pc. (1207) Post 6 x 9 FSC 2336.8mm (92")



Y70229-1207

4pc. (1006) 6 x 9 Post FSC 2336.8mm (92")



Y70229-1006

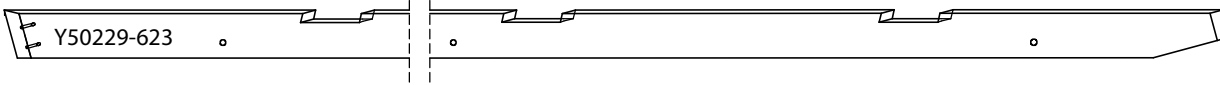
Part Identification (

Dimensions are approximate and are shown to assist in the identification of parts for assembly. Actual dimensions may be smaller or larger.

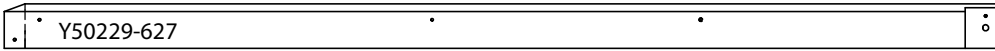
4pc. (624) Rafter Corner Left FSC 2597.8mm (102¼")



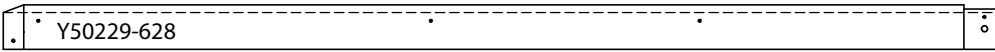
4pc. (623) Rafter Corner Right FSC 2597.8mm (102¼")



2pc. (627) Fascia Left Short FSC 1855.5mm (73-1/16")



2pc. (628) Fascia Right Short FSC 1855.5mm (73-1/16")



4pc. (629) Rafter Short RT FSC 805.5mm (31-3/4")



4pc. (630) Rafter Short LT FSC 805.5mm (31-3/4")



4pc. (631) Rafter Centre LT FSC 1338.9mm (52-3/4")



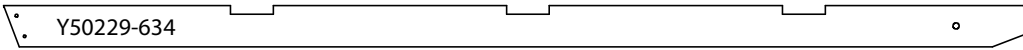
4pc. (632) Rafter Centre RT FSC 1338.9mm (52-3/4")



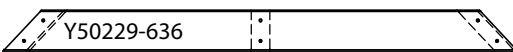
12pc. (633) Centre Rafter FSC 1873.6mm (73-3/4")



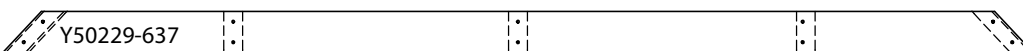
2pc. (634) Rafter FSC 1907mm (75-1/16")



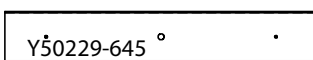
2pc. (636) Top Strap FSC 953.8mm (37-9/16")



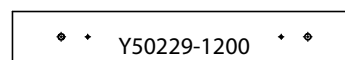
2pc. (637) Mid Strap FSC 1908.3mm (75-1/8")



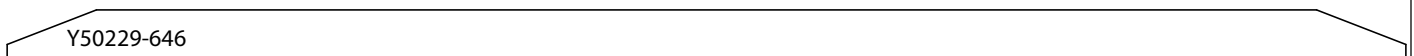
4pc. (645) Spacer FSC 578.2mm (22-3/4")



2pc. (1200) Spacer Long FSC 637.4mm (25-1/16")



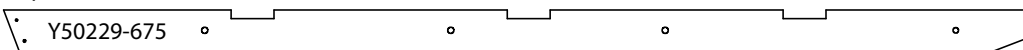
8pc. (646) Tie FSC 2590.8mm (102")



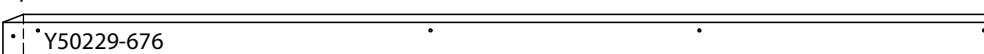
4pc. (648) Soffit FSC 1774.5mm (69-7/8")



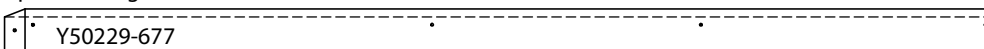
12 pc. (675) Middle Rafter FSC 1907mm (75-1/16")



2pc. (676) Left End Fascia FSC 1833.3mm (72-3/16")

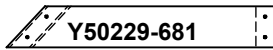


2pc. (677) Right End Fascia FSC 1833.3mm (72-3/16")

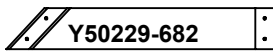


Part Identification (Dimensions are approximate and are shown to assist in the identification of parts for assembly. Actual dimensions may be smaller or larger.)

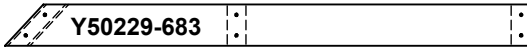
2pc. (681) Left Top Strap FSC 495.1mm (19-1/2")



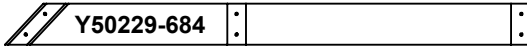
2pc. (682) Right Top Strap FSC 495.1mm (19-1/2")



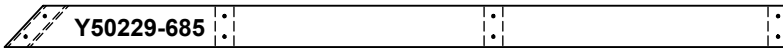
2pc. (683) Left Mid Strap FSC 972.3mm (38-1/4")



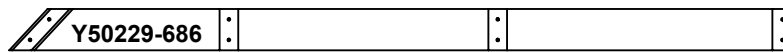
2pc. (684) Right Mid Strap FSC 972.3mm (38-1/4")



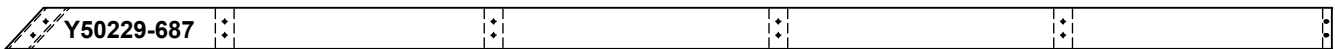
2pc. (685) Left Bot Strap FSC 1448.1mm (57")



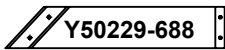
2pc. (686) Right Bot Strap FSC 1448.1mm (57")



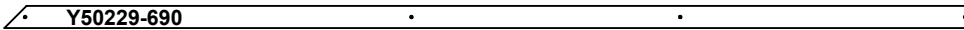
2pc. (687) Bottom Strap LT FSC 2457mm (96-3/4")



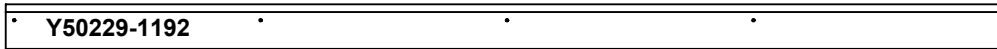
2pc. (688) Bottom Strap RT FSC 406.3mm (16")



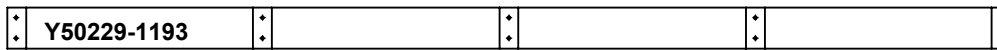
4pc. (690) Soffit End FSC 1792mm (70-9/16")



4pc. (1192) Mid Fascia FSC 1857.4mm (73-1/8")



12pc. (1193) Centre Strap FSC 1857.5mm (73-1/8")



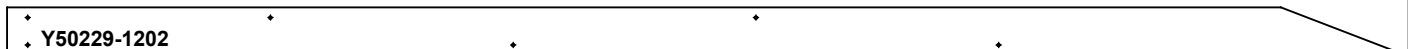
4pc. (1194) Rafter Top FSC 1793.9mm (70-5/8")



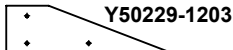
4pc. (1195) Soffit FSC 1857.6mm (73-1/8")



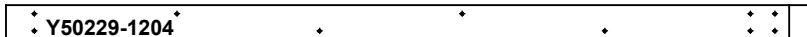
2pc. (1202) Centre Beam Long FSC 2590.8mm (102")



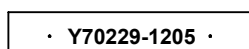
2pc. (1203) Centre Beam Short FSC 309mm (12-3/16")



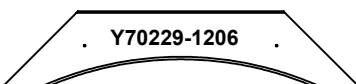
2pc. (1204) Centre Beam Bottom FSC 1500mm (59")



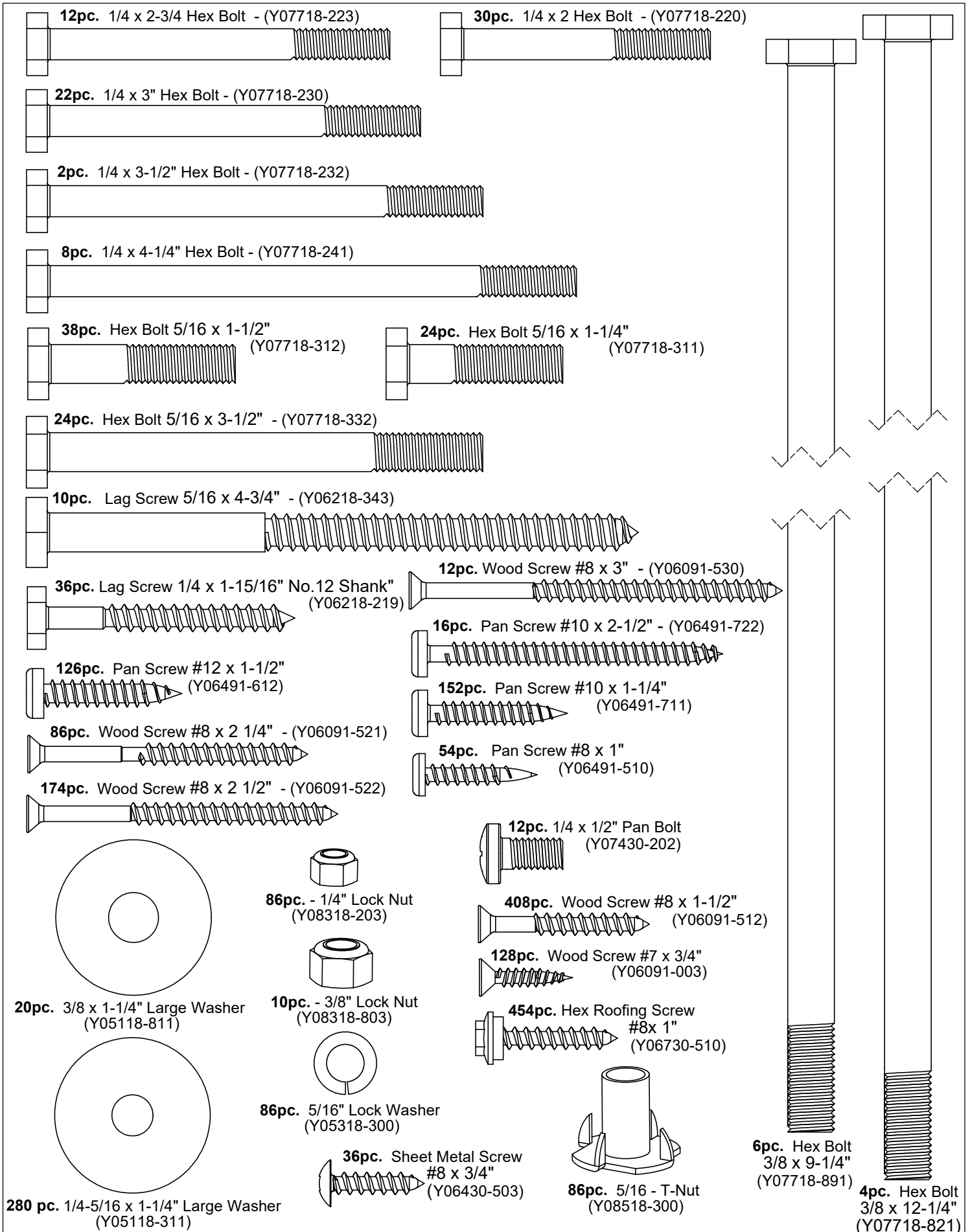
1pc. (1205) Centre Upright FSC 444mm (17-1/2")



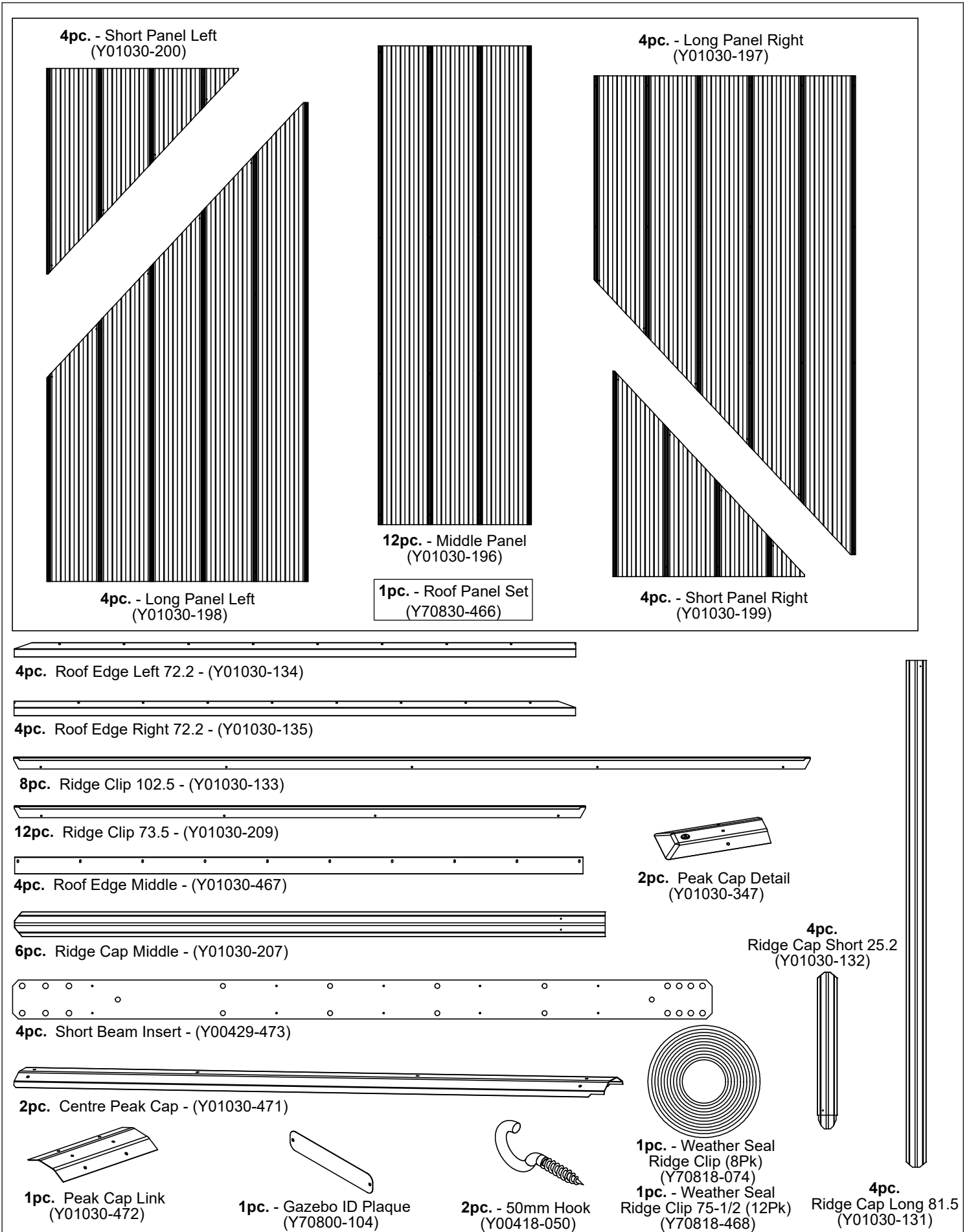
2pc. (1206) Centre Gusset FSC 660.4mm (26")



Hardware Identification (Dimensions are approximate and are shown to assist in the identification of parts for assembly. Actual dimensions may be smaller or larger.)

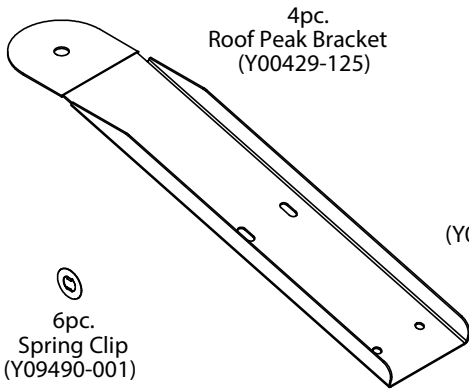


Hardware Identification (Dimensions are approximate and are shown to assist in the identification of parts for assembly. Actual dimensions may be smaller or larger.)

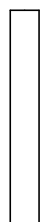
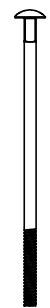
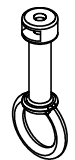
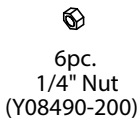


Hardware Identification

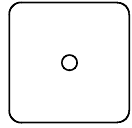
(Dimensions are approximate and are shown to assist in the identification of parts for assembly. Actual dimensions may be smaller or larger.)



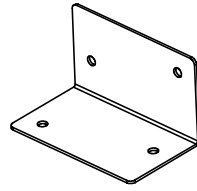
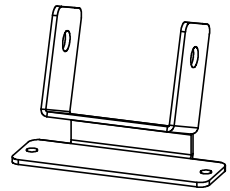
1pc. - Roof Peak Set
(12 x 24) (Y70829-465)



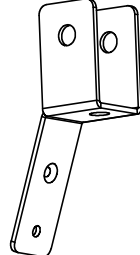
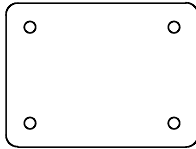
6pc. Peak Post
(Y01000-094)



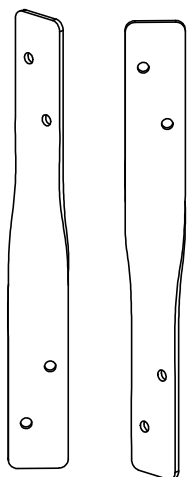
4pc. Peak Bracket
(Y00429-190)



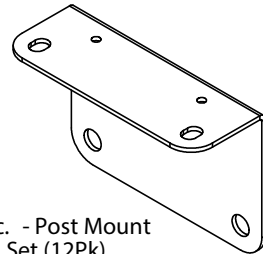
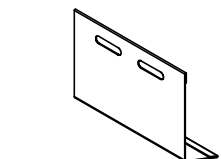
1pc. - Large Corner
Bracket Set (2Pk)
(Y70829-469)



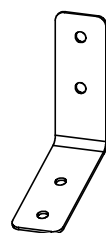
3pc. - Roof To Beam
Bracket Set (10Pk)
(Y70819-218)



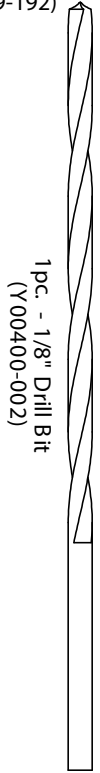
1pc. - 45° Twist Bracket LT
(2 Pack)(Y70829-191)
1pc. - 45° Twist Bracket RT
(2 Pack)(Y70829-192)



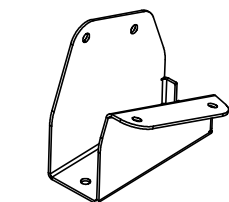
1pc. - Post Mount
Set (12Pk)
(Y70819-463)



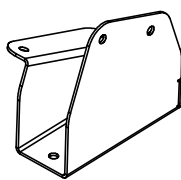
1pc. - Beam to
Rafter Bracket (4Pk)
(Y70829-212)



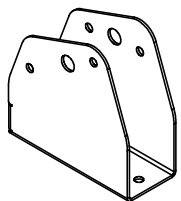
1pc. - 1/8" Drill Bit
(Y00400-002)



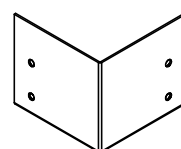
1pc.
Double Tie Wrap
Bracket RT(2Pk)
(Y70829-213)



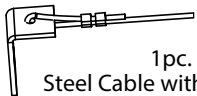
1pc.
Double Tie Wrap
Bracket LT(2Pk)
(Y70829-214)



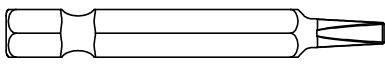
2pc. Tie Wrap Bracket (2Pk)
(Y70829-163)
1pc. Tie Wrap Bracket (8Pk)
(Y70819-106)



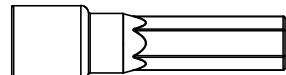
1pc. - Corner Cap Set (4Pk)
(Y70830-103)



1pc.
Steel Cable with Bracket
(Y70829-204)

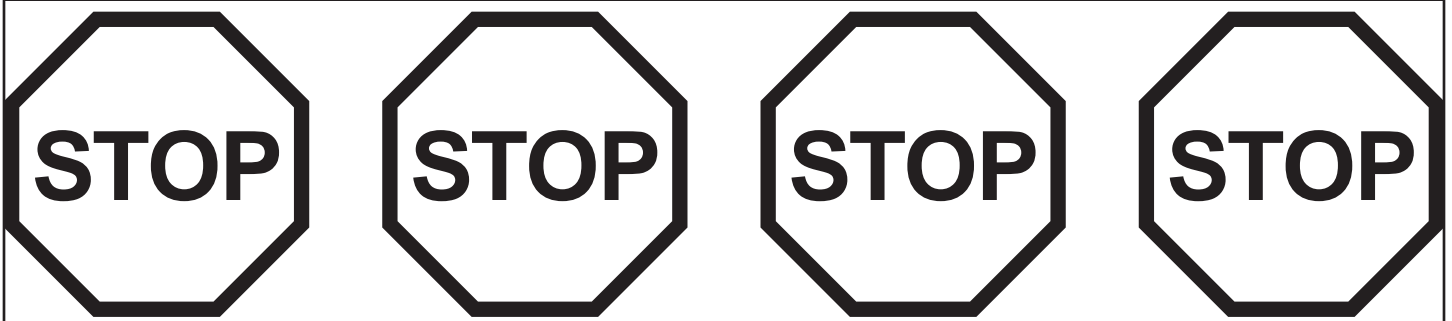


1pc. #2 x 2" Robertson Driver (Y00400-005)



1pc. - Hex Driver (Y00400-004)

Step 1: Inventory Parts - Read This Before Starting Assembly



- A.** This is the time for you to inventory all your hardware, wood and accessories, referencing the parts identification sheets. This will assist you with your assembly.
- Each step indicates which bolts and/or screws you will need for assembly, as well as any flat washers, lock washers, t-nuts or lock nuts.
- B.** If there are any missing or damaged pieces or you need assistance with assembly please contact the consumer relations department directly. Call us before going back to the store.

1-888-509-4382
support@yardistrystructures.com

- C.** Read the assembly manual completely, paying special attention to ANSI warnings; notes; and safety/maintenance information on pages 1 - 4.
- Follow the instructions in order.
 - This structure is designed to be assembled and installed ideally by four people, DO NOT attempt to install alone.
 - Consider the slope of elevation where you plan to install the structure. Also, check for gas, telephone, other utilities or sprinkler line locations prior to excavating any holes.
- D.** Before you discard your cartons fill out the form below.
- The carton I.D. stamp is located on the end of each carton.
 - Please retain this information for future reference. You will need this information if you contact the Consumer Relations Department.

PRODUCT NUMBER: **YM12784**

CARTON I.D. STAMP: __ __ __ __ __ (Box 1)
CARTON I.D. STAMP: __ __ __ __ __ (Box 2)
CARTON I.D. STAMP: __ __ __ __ __ (Box 3)
CARTON I.D. STAMP: __ __ __ __ __ (Box 4)
CARTON I.D. STAMP: __ __ __ __ __ (Box 5)

Step 2: Post Assemblies

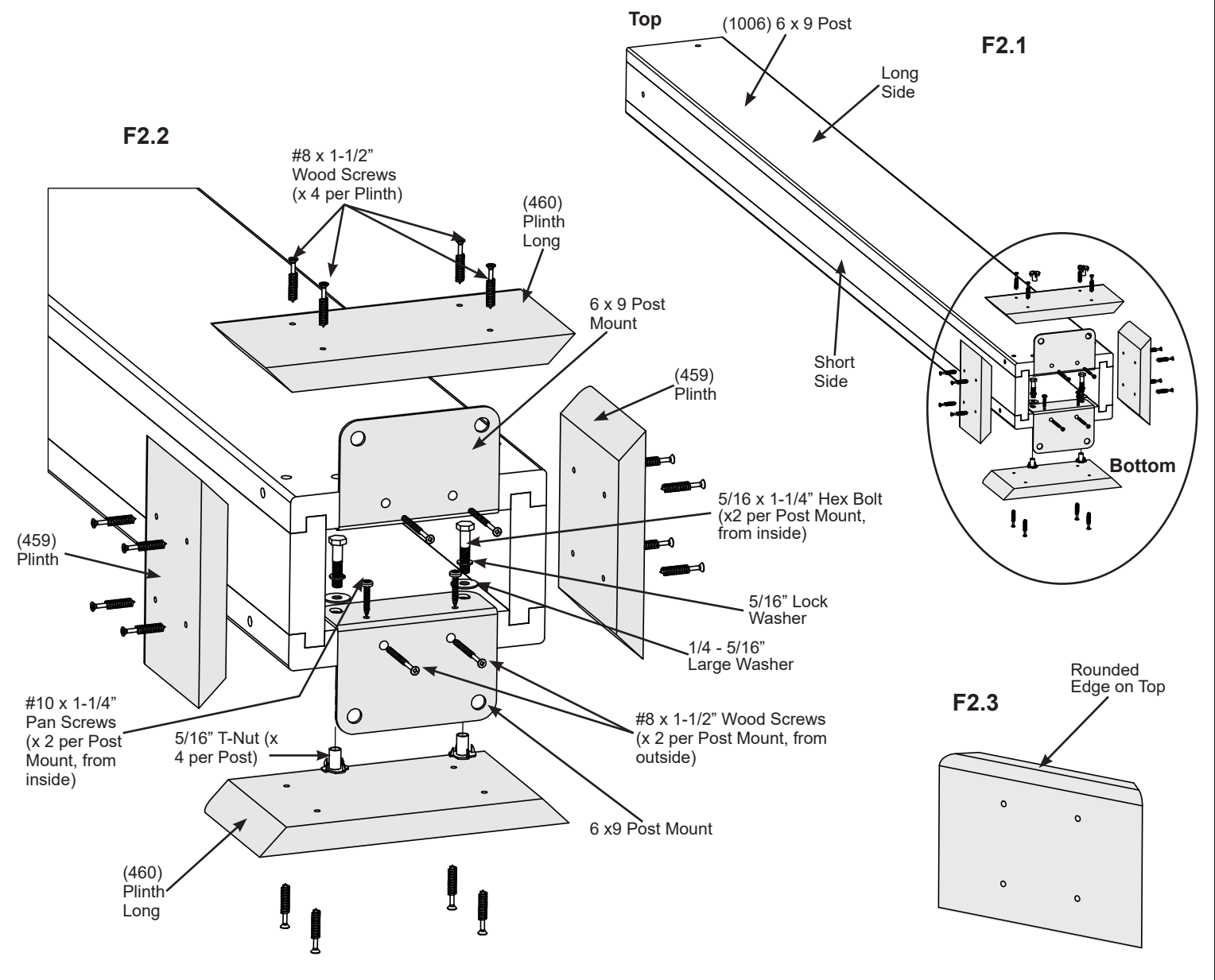
Part 1 - Main Posts

A: At the bottom of one (1006) 6 x 9 Post insert two 5/16" T-Nuts on the outside of each long side. (F2.2)

B: At the bottom of the same (1006) 6 x 9 Post place two 6 x 9 Post Mounts tight to the bottom and inside faces on the long sides as shown in F2.1 and F2.2. Loosely attach with two 5/16 x 1-1/4" Hex Bolt (with 5/16" lock washer and 1/4-5/16" large washer) per mount so they connect to the T-Nuts. From the bottom attach with two #8 x 1-1/2" Wood Screws and two #10 x 1-1/4" Pan Screws per mount. Tighten bolts.

C: Flush to the bottom of (1006) 6 x 9 Post place one (460) Plinth Long on each long side and one (459) Plinth on each short side and attach with four #8 x 1-1/2" Wood Screws per plinth. Rounded edges on top. (F2.1, F2.2 and F2.3)

D: Repeat Steps A - C three more times to make four Main Post Assemblies.



Wood Parts

- 4 x (1006) 6 x 9 Post
- 8 x (459) Plinth
- 8 x (460) Plinth Long

Hardware

- 80 x #8 x 1-1/2" Wood Screw
- 16 x #10 x 1-1/4" Pan Screw
- 8 x 6 x 9 Post Mount
- 16 x 5/16" T-Nut
- 16 x 5/16 x 1-1/4" Hex Bolt (with 5/16" lock washer, 1/4 - 5/16" large washer)

Step 2: Post Assemblies

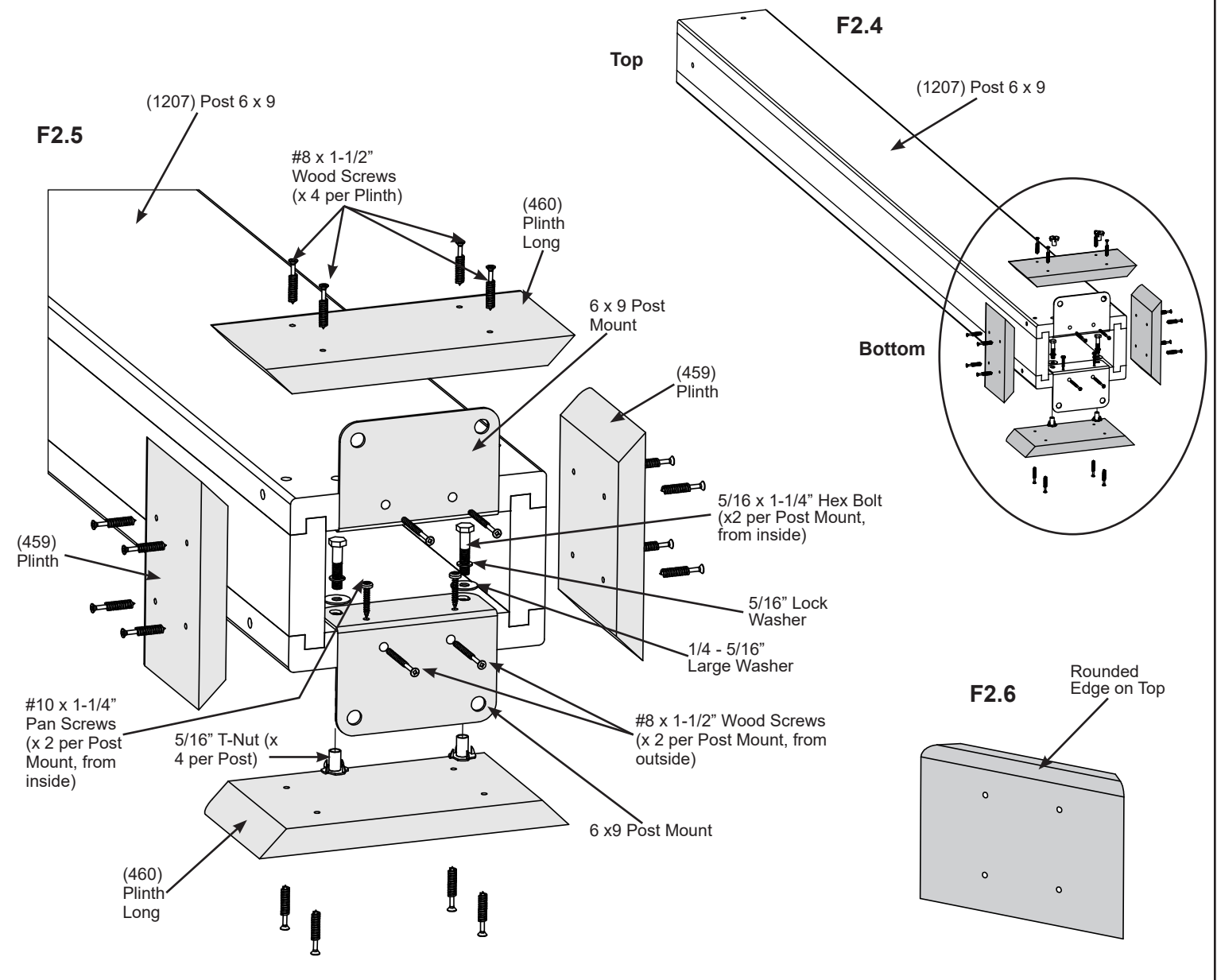
Part 2 - Mid Posts

E: At the bottom of one (1207) Post 6 x 9 insert two 5/16" T-Nuts on the outside of two sides, as shown in F2.5.

F: At the bottom of the same (1207) Post 6 x 9 place two 6 x 9 Post Mounts tight to the bottom and inside faces on the sides as shown in F2.4 and F2.5. Loosely attach with two 5/16 x 1-1/4" Hex Bolts (with 5/16" lock washer and 1/4-5/16" large washer) per mount so they connect to the T-Nuts. From the bottom attach with two #8 x 1-1/2" Wood Screws and two #10 x 1-1/4" Pan Screws per mount. Tighten bolts.

G: Flush to the bottom of (1207) Post 6 x 9 place one (460) Plinth Long on each long side and one (459) Plinth on each short side, attach with four #8 x 1-1/2" Wood Screws per plinth. Rounded edges on top. (F2.4, F2.5 and F2.6)

H: Repeat Steps E - G one more time to make two Mid Post Assemblies.



Wood Parts

2 x (1207) Post 6 x 9
 4 x (459) Plinth
 4 x (460) Plinth Long

Hardware

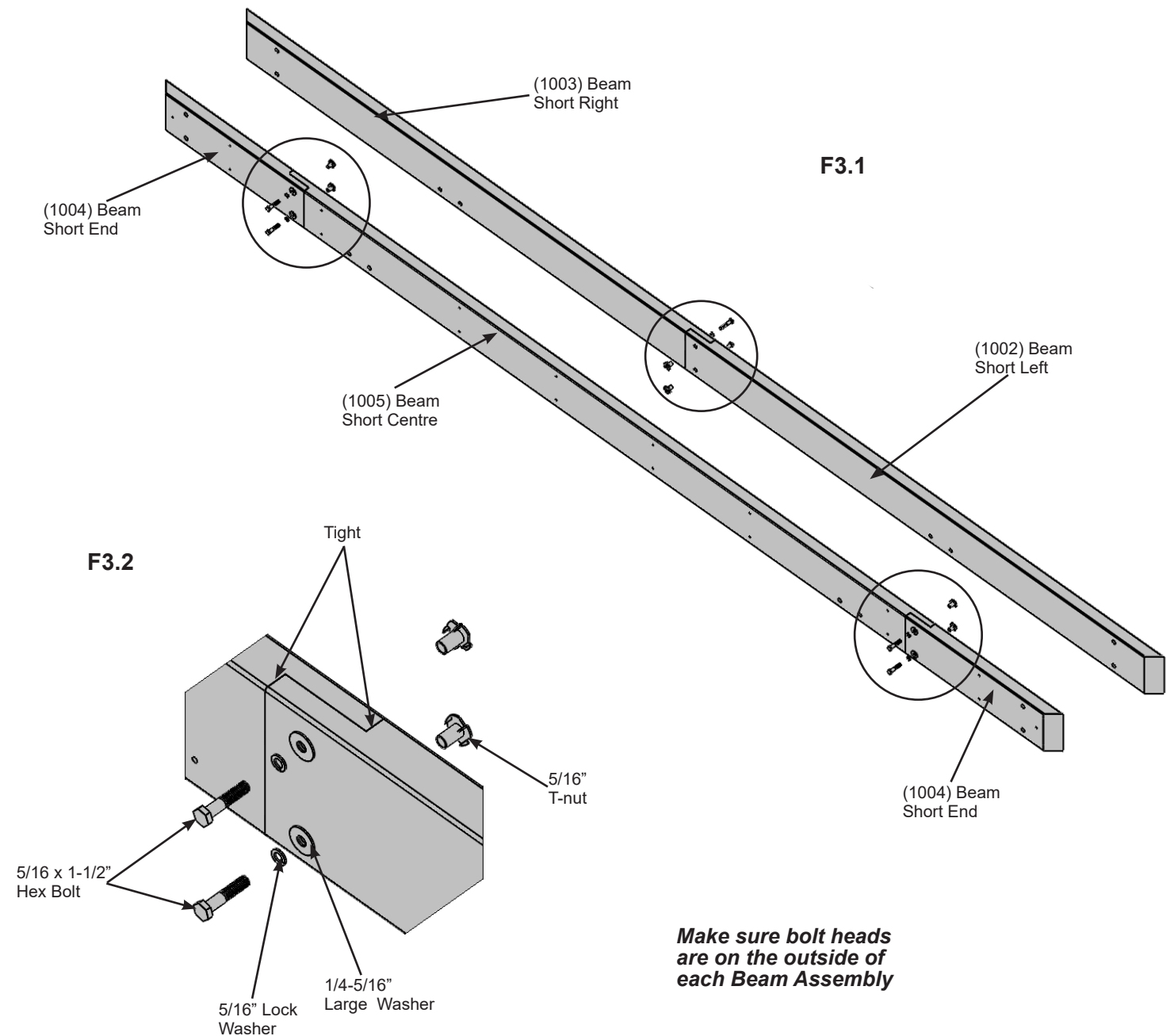
40 x #8 x 1-1/2" Wood Screw
 8 x #10 x 1-1/4" Pan Screw
 4 x 6 x 9 Post Mount
 8 x 5/16" T-Nut
 8 x 5/16 x 1-1/4" Hex Bolt
 (with 5/16" lock washer, 1/4 - 5/16" large washer)

Step 3: Short Beam Assembly Part 1

A: Connect one (1002) Beam Short Left and one (1003) Beam Short Right using two 5/16 x 1-1/2" Hex Bolts (with 5/16" lock washer, 1/4-5/16" large washer and 5/16" t-nut) as shown in F3.1 and F3.2.

B: Connect one (1004) Beam Short End to each end of one (1005) Beam Short Centre using two 5/16 x 1-1/2" Hex Bolts (with 5/16" lock washer, 1/4-5/16" large washer and 5/16" t-nut) per end as shown in F3.1 and F3.2.

C: Repeat Steps A and B one more time to make two Short Beam L-R Assemblies and two Short Beam End Assemblies.



Wood Parts

- 4 x (1004) Beam Short End
- 2 x (1005) Beam Short Centre
- 2 x (1002) Beam Short Left
- 2 x (1003) Beam Short Right

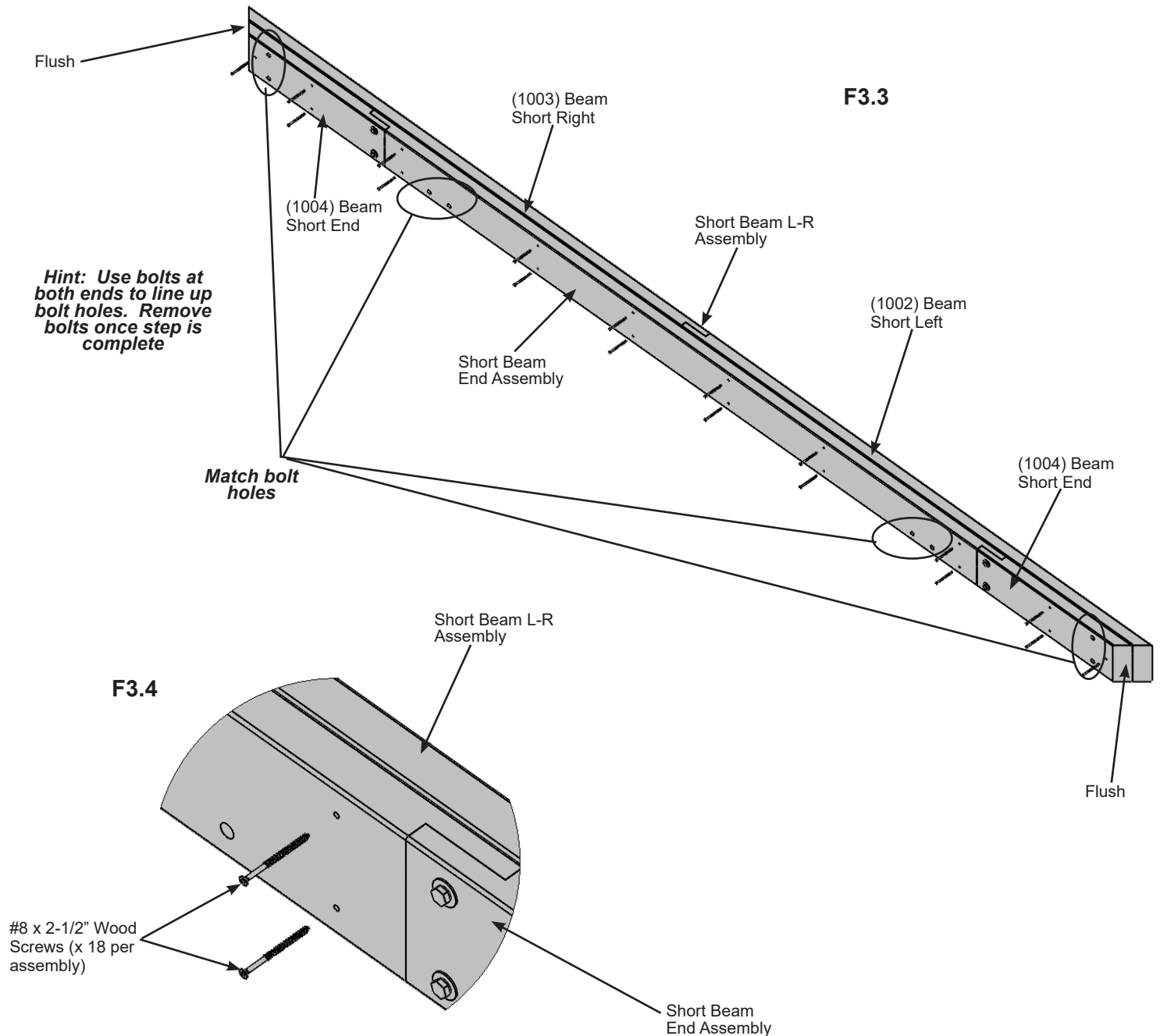
Hardware

- 12 x 5/16 x 1-1/2" Hex Bolt
(5/16" lock washer, 1/4-5/16" large washer, 5/16" t-nut)

Step 3: Short Beam Assembly Part 2

D: Place one Short Beam L-R Assembly tight to one Short Beam End Assembly so the ends are flush. Match the bolt holes in each (1004) Beam Short End with the bolt holes in (1002) Beam Short Left and (1003) Beam Short Right. Attach with 18 #8 x 2-1/2" Wood Screws. (F3.3 and F3.4)

E: Repeat Step D one more time to make two Short Beam Assemblies.



Hardware

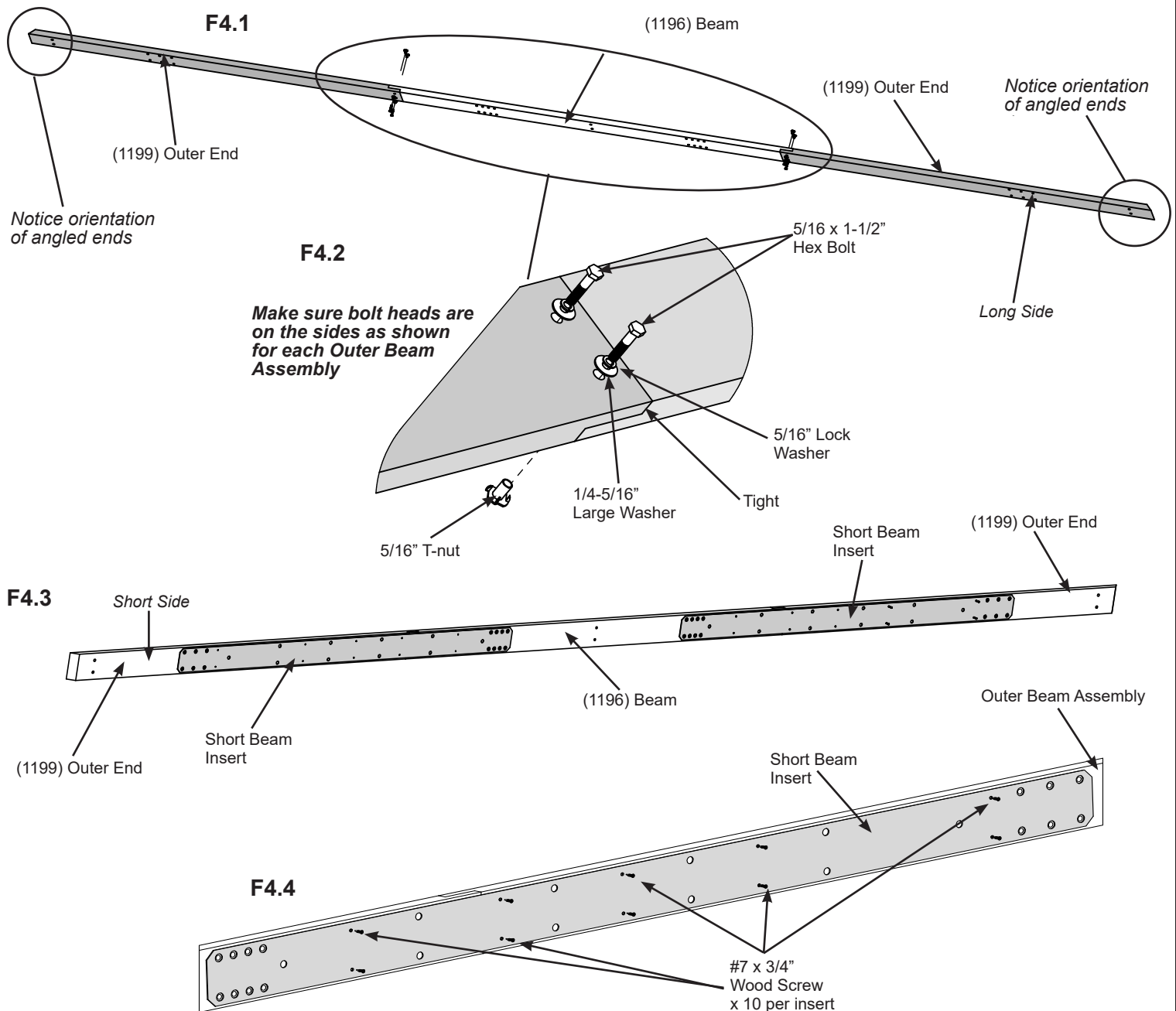
36 x #8 x 2-1/2" Wood Screw

Step 4: Long Beam Assembly Part 1

A: Connect one (1199) Outer End to each end of one (1196) Beam using four 5/16 x 1-1/2" Hex Bolts (with 5/16" lock washer, 1/4-5/16" large washer and 5/16" t-nut) as shown in F4.1 and F4.2. Notice orientation of angled ends. This will create an Outer Beam Assembly.

B: On the short side of the Outer Beam Assembly place two Short Beam Inserts so they fit over the holes in (1196) Beam and (1199) Outer Ends. Attach Short Beam Inserts to Outer Beam Assembly with ten #7 x 3/4" Wood Screws per insert, as shown in F4.3 and F4.4.

C: Repeat Steps A and B to make two Outer Beam Assemblies.



Wood Parts

2 x (1196) Beam
4 x (1199) Outer End

Component

4 x Short Beam Insert

Hardware

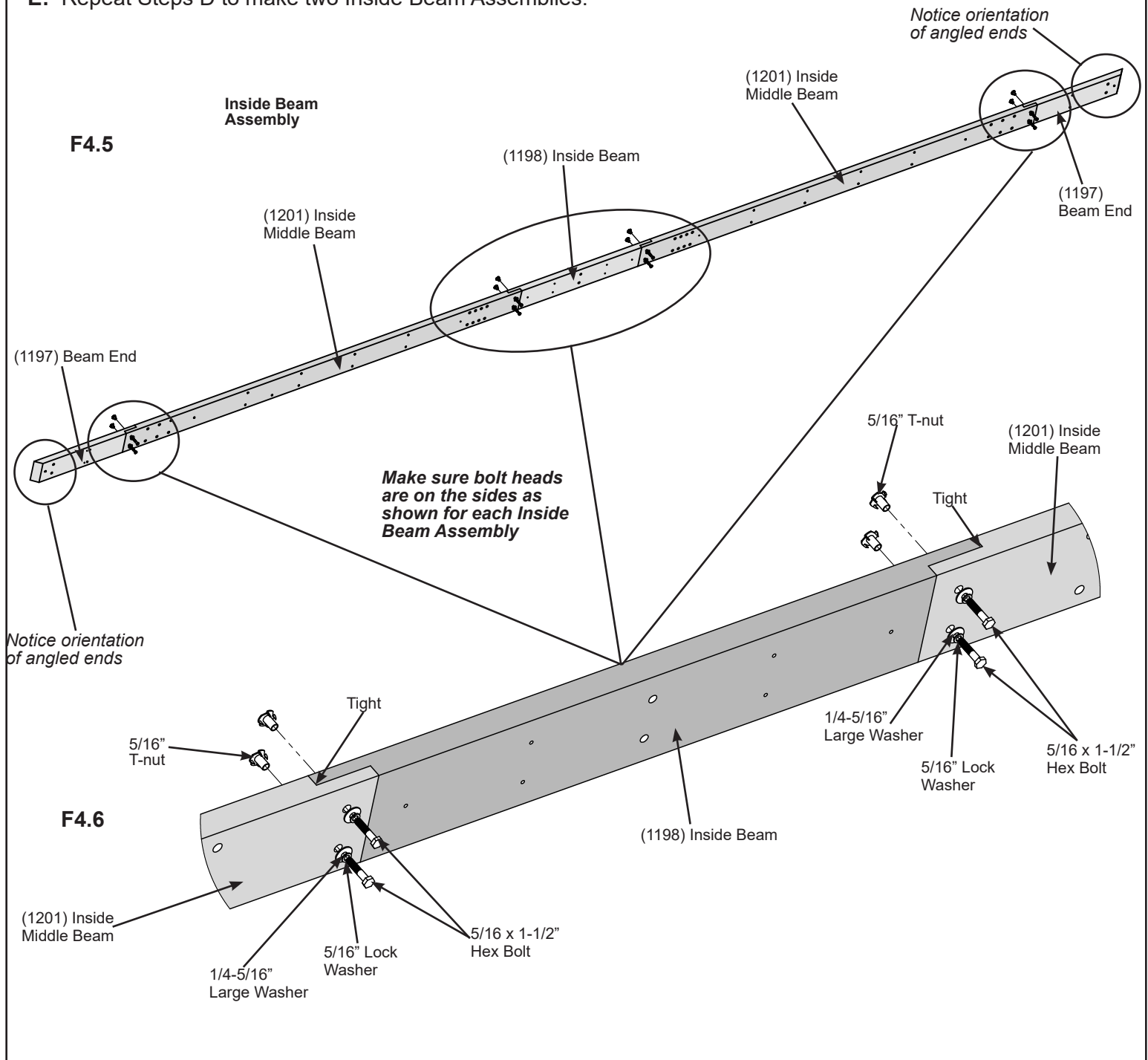
8 x 5/16 x 1-1/2" Hex Bolt
(5/16" lock washer, 1/4-5/16" large washer, 5/16" t-nut)
40 x #7 x 3/4" Wood Screw

Step 4: Long Beam Assembly

Part 2

D: Connect one (1201) Inside Middle Beam to each end of one (1198) Inside Beam using four 5/16 x 1-1/2" Hex Bolts (with 5/16" lock washer, 1/4-5/16" large washer and 5/16" t-nut). At the end of each (1201) Inside Middle Beam connect one (1197) Beam End with two 5/16 x 1-1/2" Hex Bolts (with 5/16" lock washer, 1/4-5/16" large washer and 5/16" t-nut) per end. Notice the orientation of angled ends. This is the Inside Beam Assembly. (F4.5 and F4.6)

E: Repeat Steps D to make two Inside Beam Assemblies.



Wood Parts

- 2 x (1198) Inside Beam
- 4 x (1201) Inside Middle Beam
- 4 x (1197) Beam End

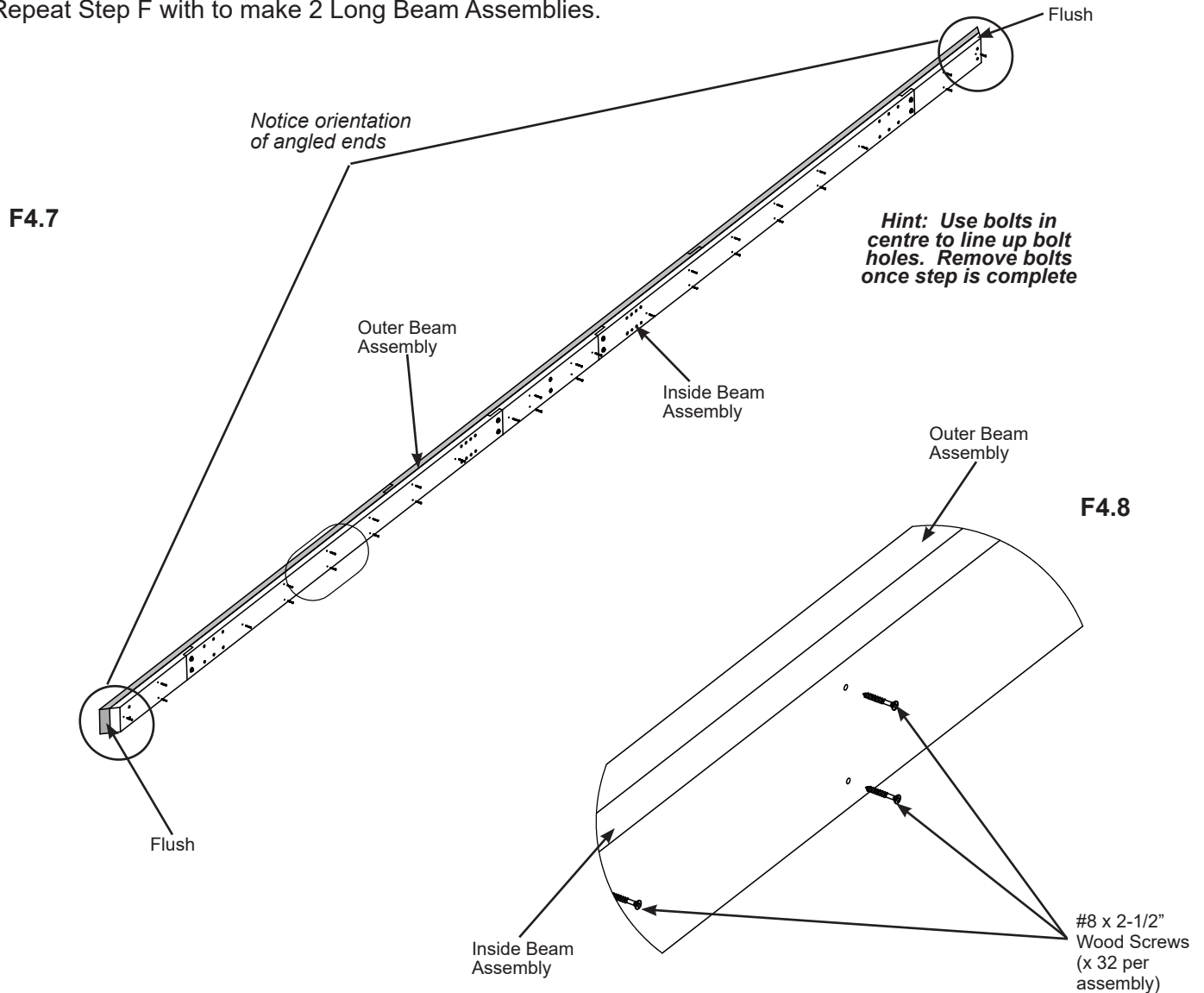
Hardware

- 16 x 5/16 x 1-1/2" Hex Bolt
(5/16" lock washer, 1/4-5/16" large washer, 5/16" t-nut)

Step 4: Long Beam Assembly Part 3

F: Place one Inside Beam Assembly tight to one Outer Beam Assembly so the ends are flush and the angled ends match. Bolt heads from the Outer Beam Assembly must be on the outside and Short Beam Inserts will be on the inside. Connect Inside Beam Assembly to Outer Beam Assembly with 32 #8 x 2-1/2" Wood Screws. (F4.7 and F4.8)

G: Repeat Step F with to make 2 Long Beam Assemblies.



Hardware

64 x #8 x 2-1/2" Wood Screw

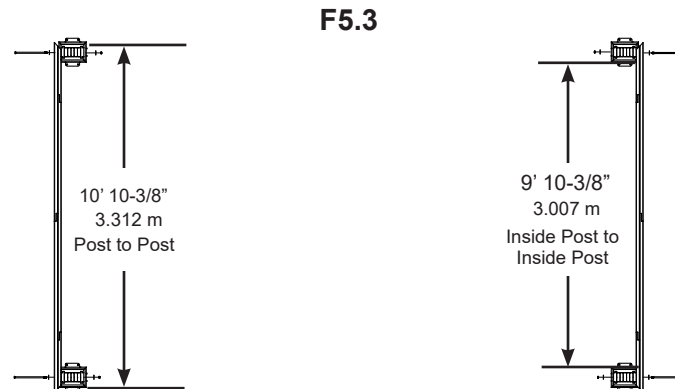
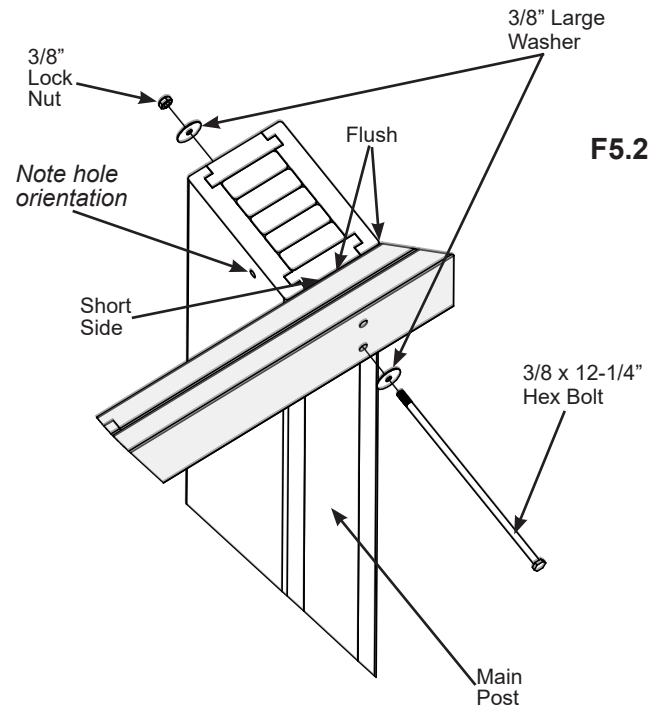
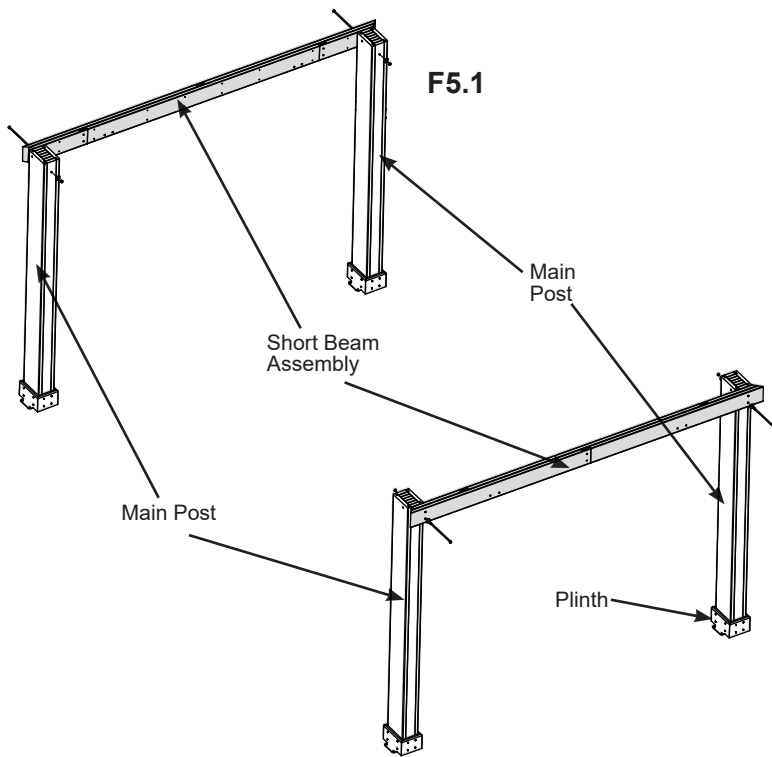
Step 5: Frame Assembly and Anchoring Part 1



A: On a hard, flat surface place one Short Beam Assembly against the outside of two Main Posts, flush to the tops and outside corners. Notice the short side of the Main Post Assembly is along the Short Beam Assembly and hole on long side of the post is closer to the beam. Attach Beam to Post, through the bottom hole, with one 3/8 x 12-1/4" Hex Bolt (with two 3/8" large washers and one 3/8" lock nut) per Main Post. (F5.1 and F5.2)

The distance from the outside of one Main Post to the outside of the second Main Post should be 10' 10-3/8" (3.312 m). See F5.3 for accurate positioning of Posts.

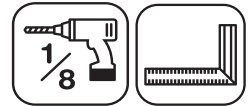
B: Repeat for second Short Beam Assembly on remaining two Main Posts. These will now be referred to as Short Side Assemblies. (F5.1 and F5.2)



Hardware

4 x 3/8 x 12-1/4" Hex Bolt (3/8" large washer x 2, 3/8" lock nut)

Step 5: Frame Assembly and Anchoring Part 2

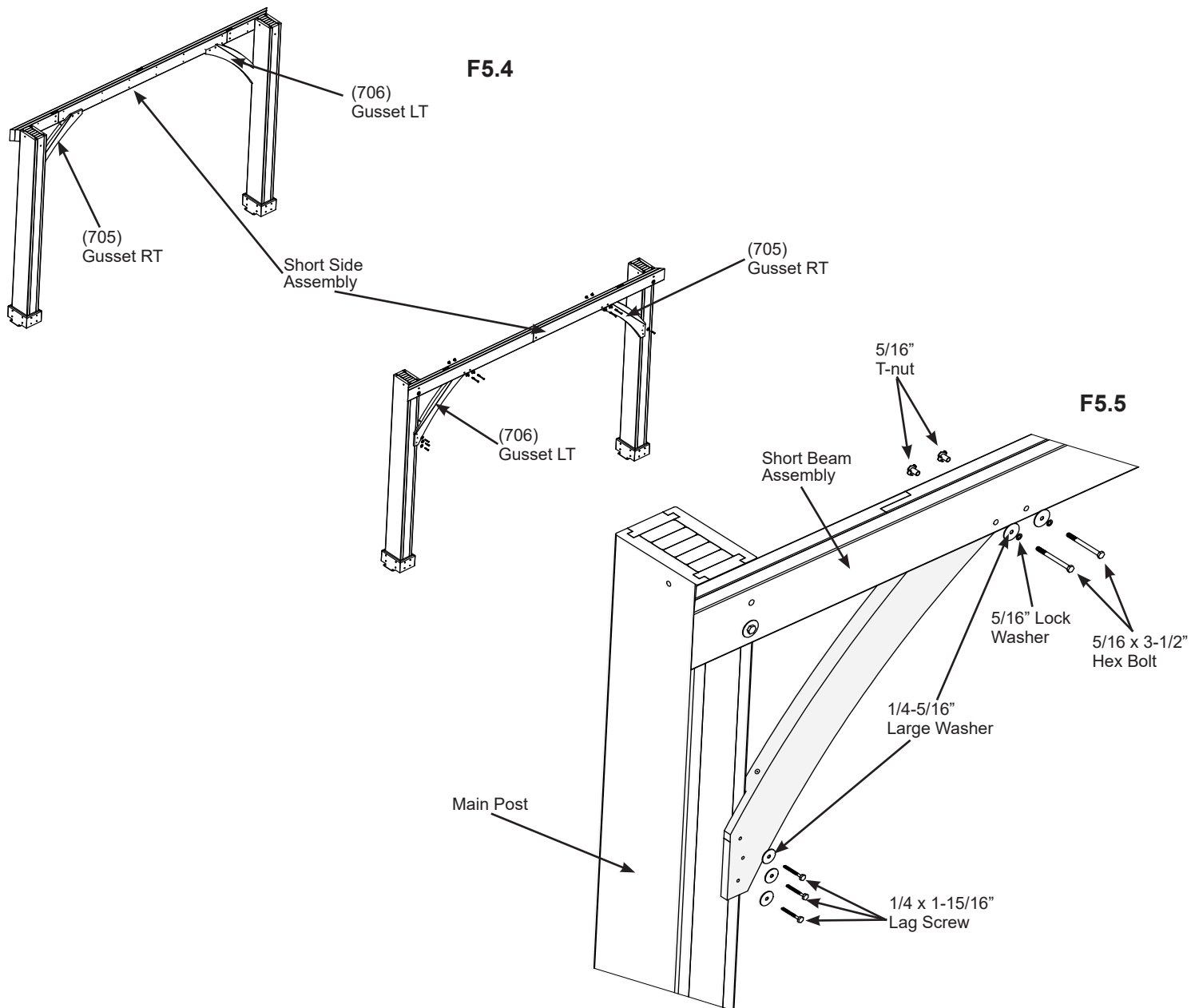


Note: The bevelled ends on each gusset should always face away from the wood it is attaching to.

C: Make sure each Short Side assembly is square with the Main Post then facing one Short Beam Assembly from the outside place one (705) Gusset RT on the right hand side so the top fits tight to the Beam Assembly and the bottom fits tight to the Main Post. Attach gusset to Beam Assembly with two 5/16" x 3-1/2" Hex Bolts (with 5/16" lock washer, 1/4-5/16" large washer and 5/16" t-nut). Pre-drill with a 1/8" drill bit then attach gusset to Main Post, with three 1/4 x 1-15/16" Lag Screws (with 1/4-5/16" large washer). (F5.4 and F5.5)

D: Repeat Step C on the left hand side with one (706) Gusset LT. (F5.4 and F5.5)

E: Repeat Steps C and D for second Short Side Assembly. (F5.4 and F5.5)



Wood Parts

- 2 x (705) Gusset RT
- 2 x (706) Gusset LT

Hardware

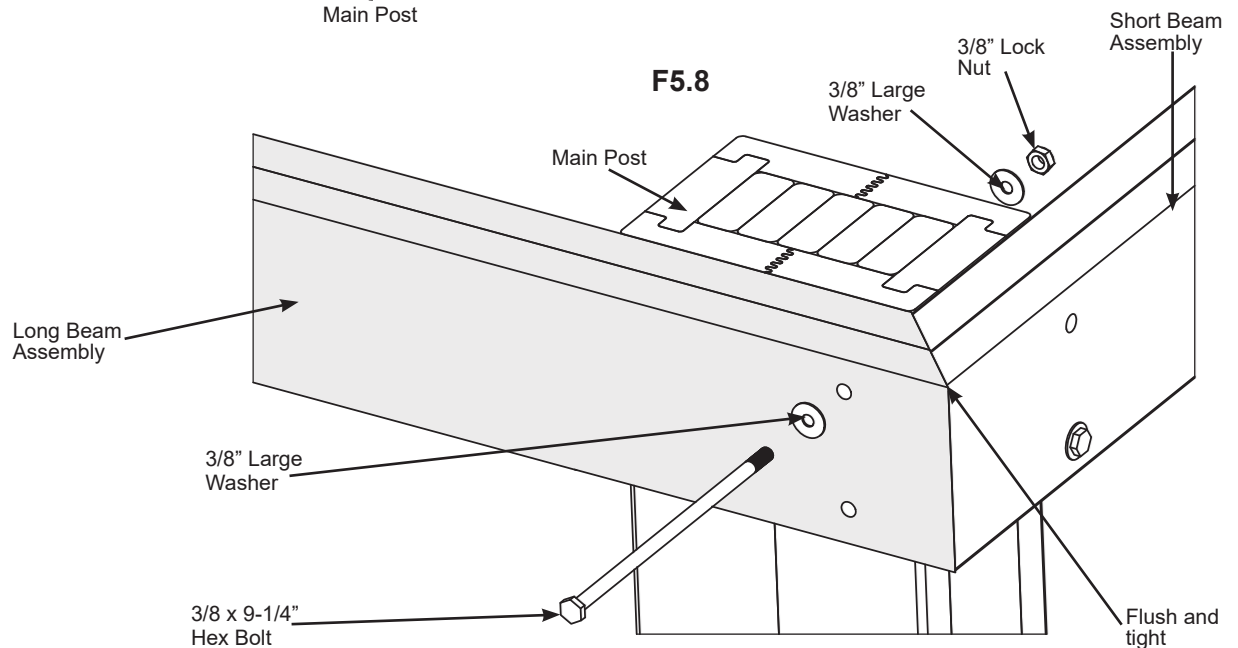
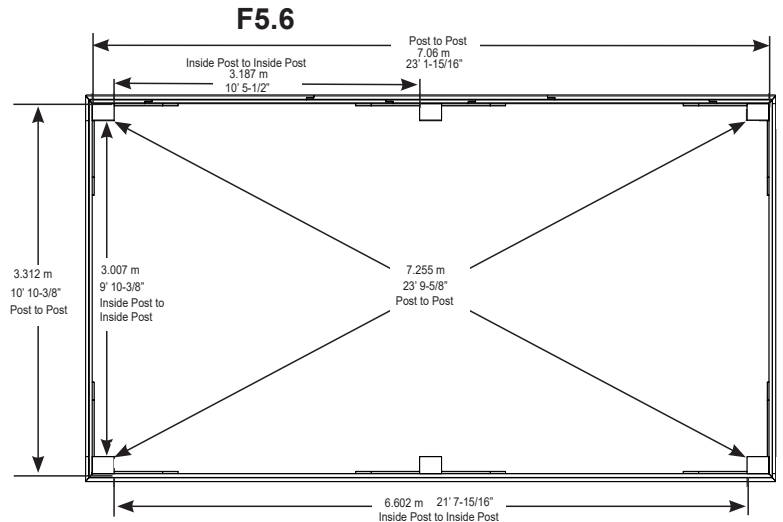
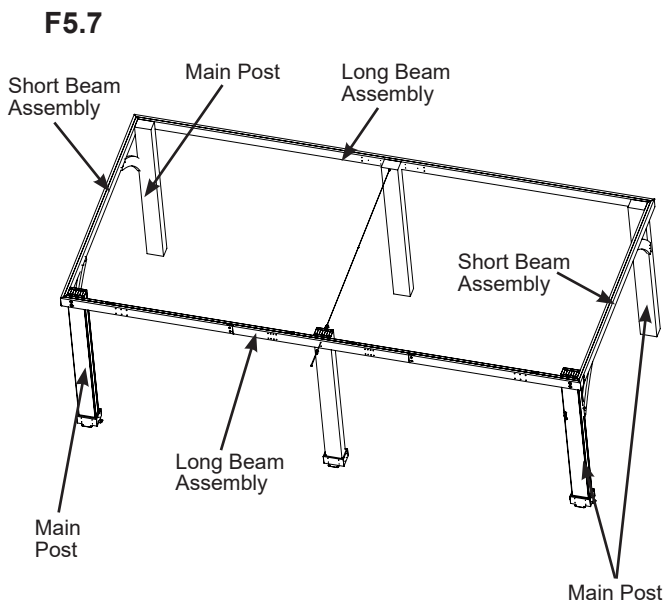
- 12 x 1/4 x 1-15/16" Lag Screw (1/4-5/16" large washer)
- 8 x 5/16 x 3-1/2" Hex Bolt (5/16" lock washer, 1/4-5/16" large washer, 5/16" t-nut)

Step 5: Frame Assembly and Anchoring Part 3



F: Move your Post Assemblies to the final location. Make sure the ground is flat and level before continuing assembly.

G: With helpers stand up Post Assemblies then place one Long Beam Assembly against the outside of two Main Posts, flush to the tops and outside corners and tight to Short Beam Assembly. Attach Long Beam Assembly to Main Post through the top hole with one 3/8 x 9-1/4" Hex Bolt (with two 3/8" large washers and one 3/8" lock nut) per Post. Repeat for the second Long Beam Assembly on the opposite side. (F5.6, F5.7 and F5.8)



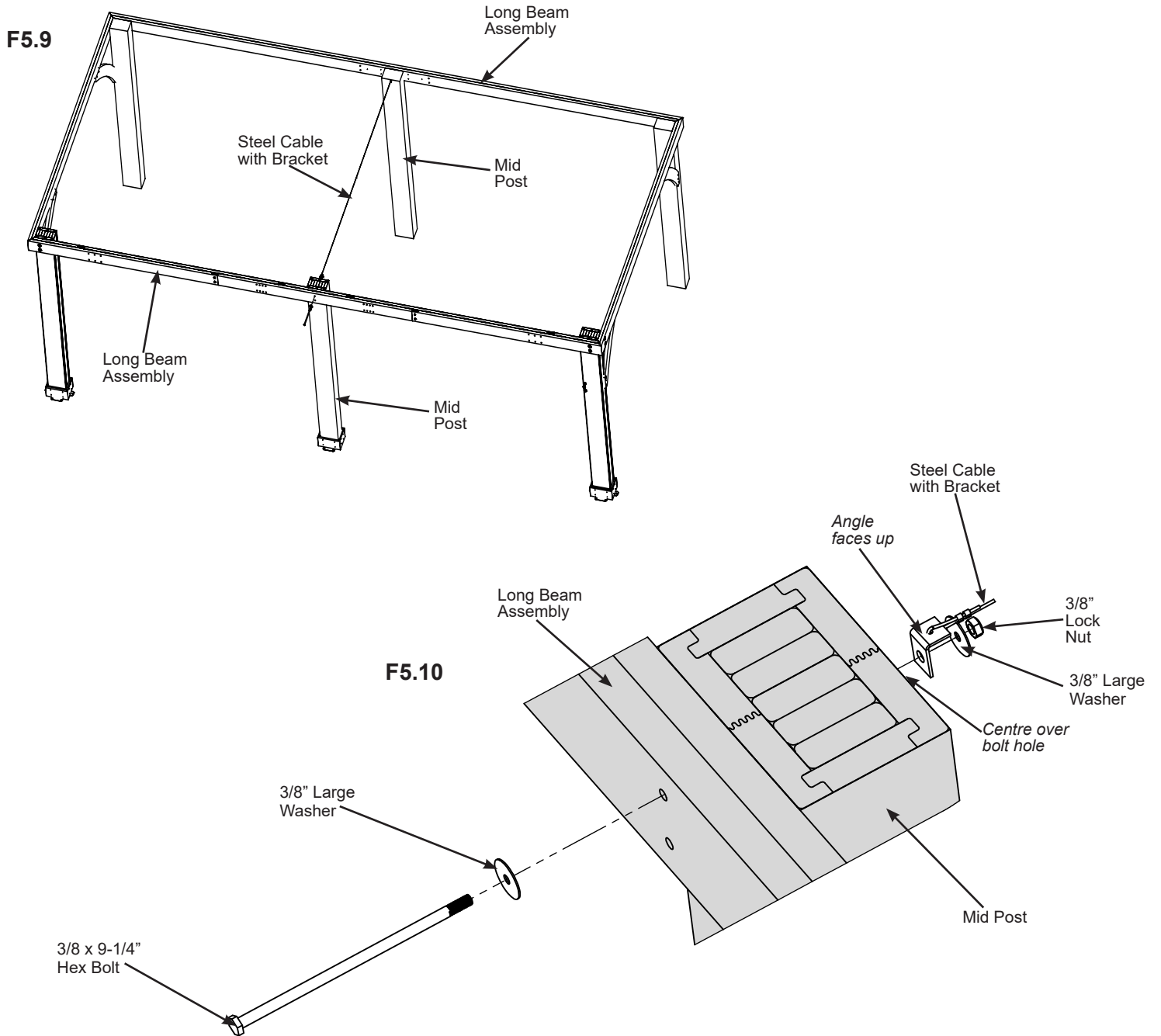
Hardware

4 x 3/8 x 9-1/4" Hex Bolt (3/8" large washer x 2, 3/8" lock nut)

Step 5: Frame Assembly and Anchoring Part 4



H: From inside the assembly, centre one Mid Post over middle bolt holes in each Long Beam Assembly then place Steel Cable with Bracket against both Mid Posts so the angle of the bracket faces up and is over the top bolt hole. Attach Long Beam Assembly to Mid Post and Steel Cable with Bracket through the top hole with one 3/8 x 9-1/4" Hex Bolt (with two 3/8" large washers and one 3/8" lock nut). (F5.9 and F5.10)



Components

1 x Steel Cable with Bracket

Hardware

2 x 3/8 x 9-1/4" Hex Bolt
(3/8" large washer x 2, 3/8" lock nut)

Step 5: Frame Assembly and Anchoring Part 5

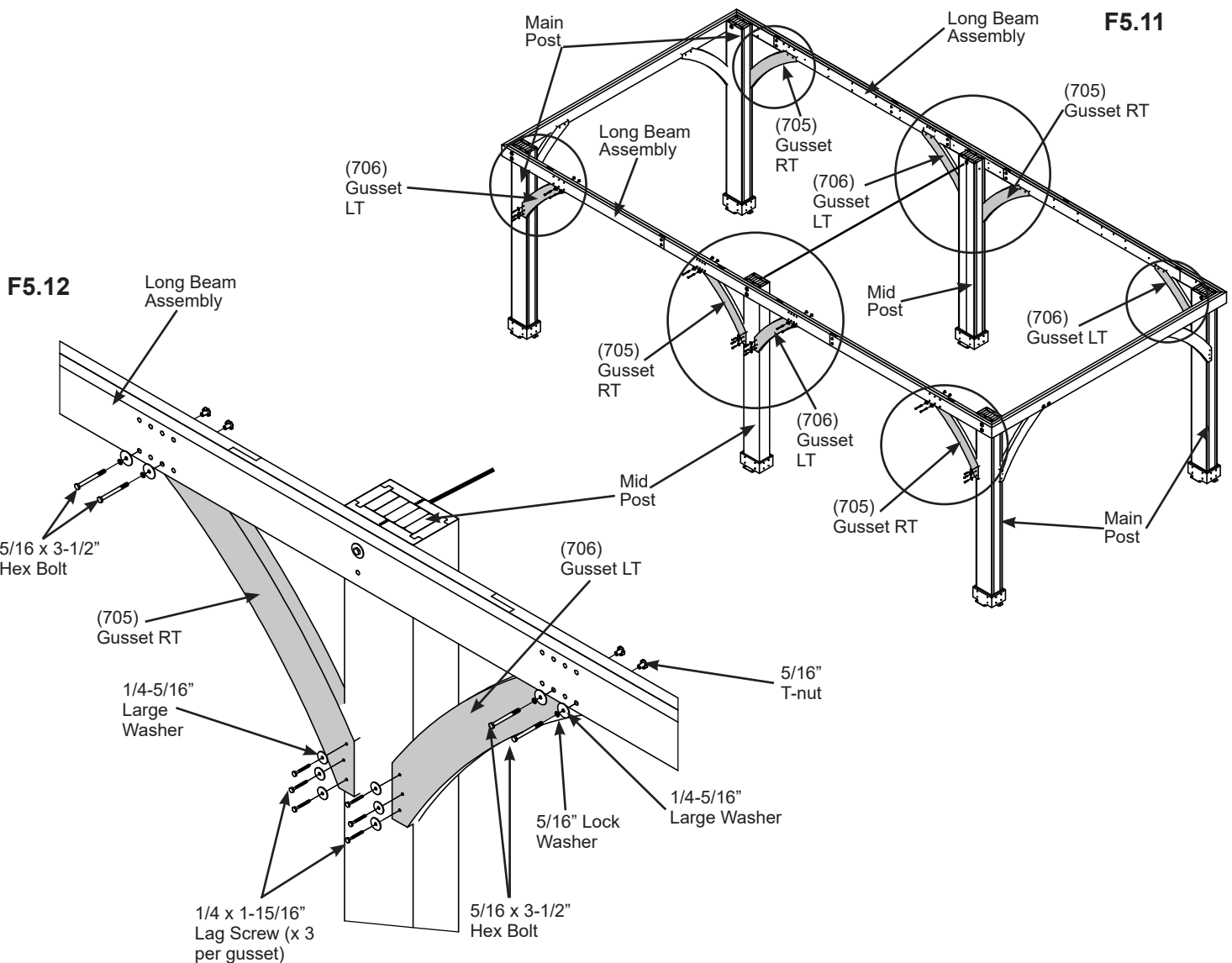


Note: The bevelled ends on each gusset should always face away from the wood it is attaching to.

I: Make sure the Frame Assembly is square and level then facing one Long Beam Assembly from the outside place one (705) Gusset RT on the right hand side Main Post and one on the left side of the Mid Post so the tops fit tight to the Beam Assembly and the bottom fits tight to the posts. Attach each gusset to Long Beam Assembly with two 5/16 x 3-1/2" Hex Bolts (with 5/16" lock washer, 1/4-5/16" large washer and 5/16" t-nut) per gusset. Pre-drill with a 1/8" drill bit then attach each gusset to each post with three 1/4 x 1-15/16" Lag Screws (with 1/4-5/16" large washer) per gusset. (F5.11 and F5.12)

J: Repeat Step I to install two (706) Gusset LT, one on the left hand side Main Post and the other on the right side of the Mid Post. (F5.11 and F5.12)

K: Repeat Steps I and J for the second Long Side. (F5.11 and F5.12)



Wood Parts

- 4 x (705) Gusset RT
- 4 x (706) Gusset LT

Hardware

- 24 x 1/4 x 1-15/16" Lag Screw (1/4-5/16" large washer)
- 16 x 5/16 x 3-1/2" Hex Bolt (5/16" lock washer, 1/4-5/16" large washer, 5/16" t-nut)

Step 5: Frame Assembly and Anchoring Part 6

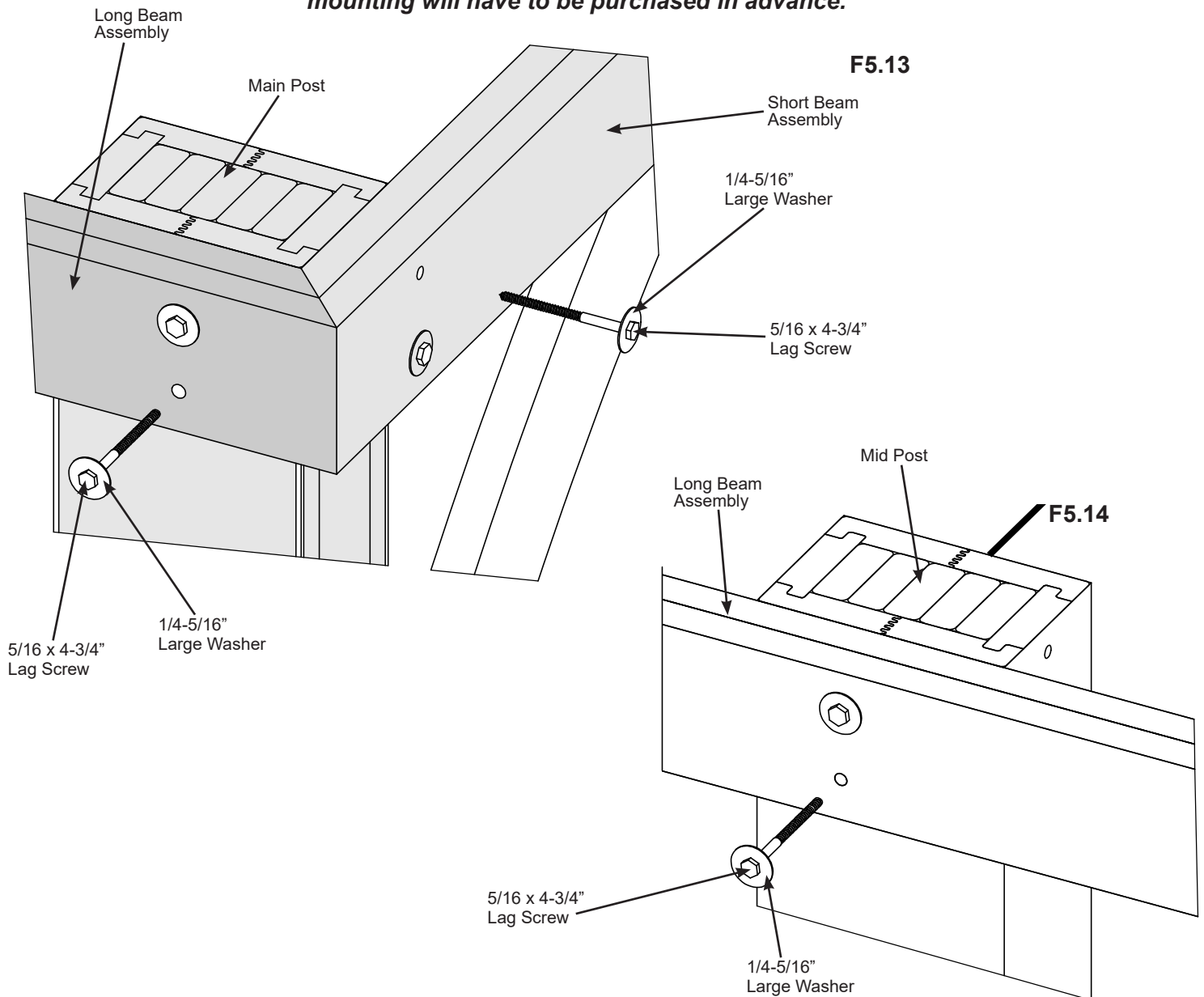


L: Attach Long and Short Beam Assemblies to Main Posts with two 5/16 x 4-3/4" Lag Screws (with 1/4-5/16" large washer) per corner in the remaining holes. (F5.13)

M: Attach Long Beam Assembly to both Mid Posts through the bottom holes with one 5/16 x 4-3/4" Lag Screw (with 1/4-5/16" large washer) per post. (F5.14)

N: Depending on what you are placing the Gazebo on will determine how you anchor it to that surface. Please refer to pages 6 and 7 for installation examples.

Any hardware or extra materials for mounting will have to be purchased in advance.



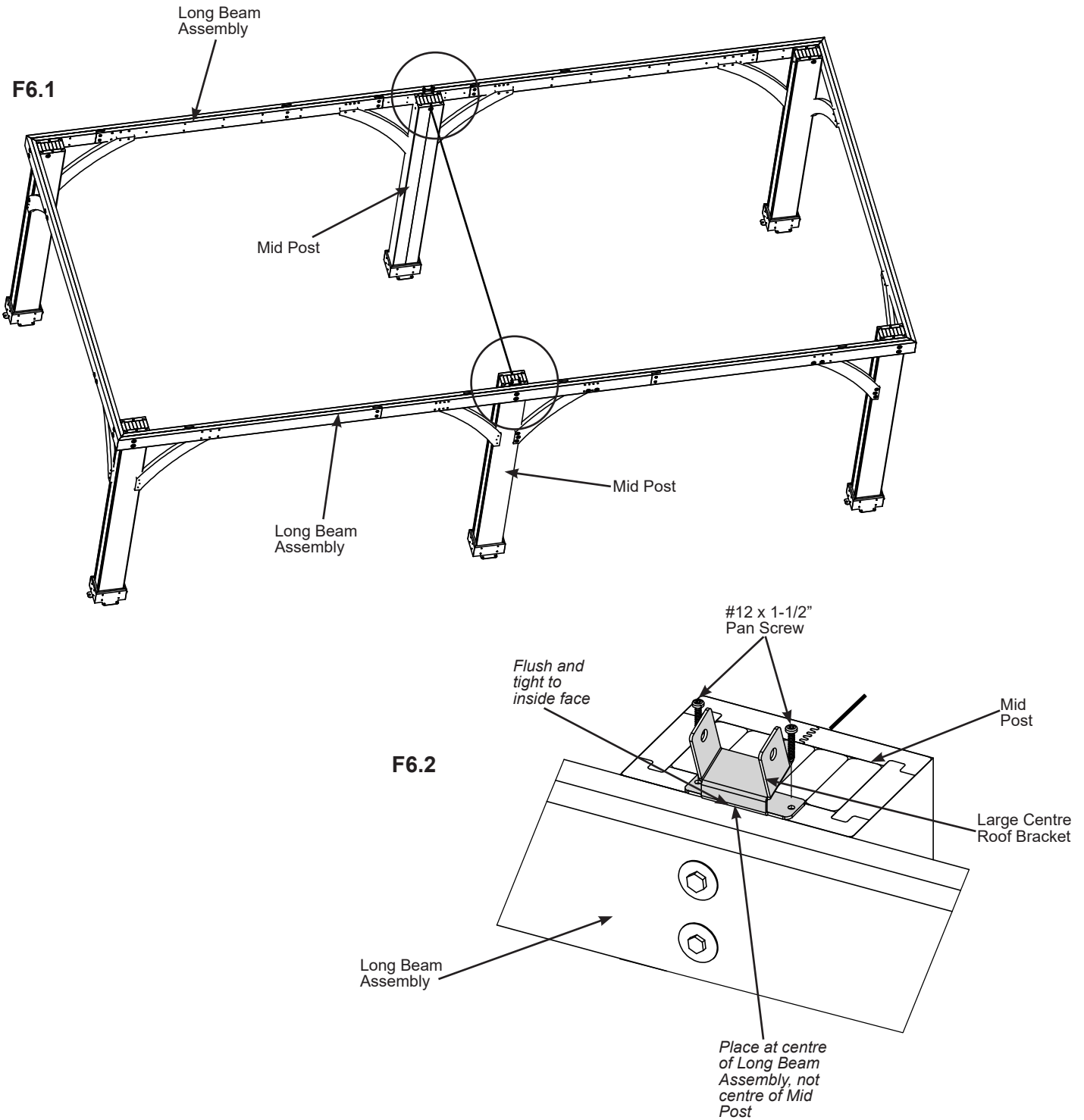
Hardware

10 x 5/16 x 4-3/4" Lag Screw (1/4-5/16" large washer)

Step 6: Attach Brackets



A: On each Mid Post place one Large Centre Roof Bracket, centred to each Long Beam Assembly so they are flush and tight to the inside face of each beam then attach to Mid Posts with two #12 x 1-1/2" Pan Screws per bracket. (F6.1 and F6.2)



Components

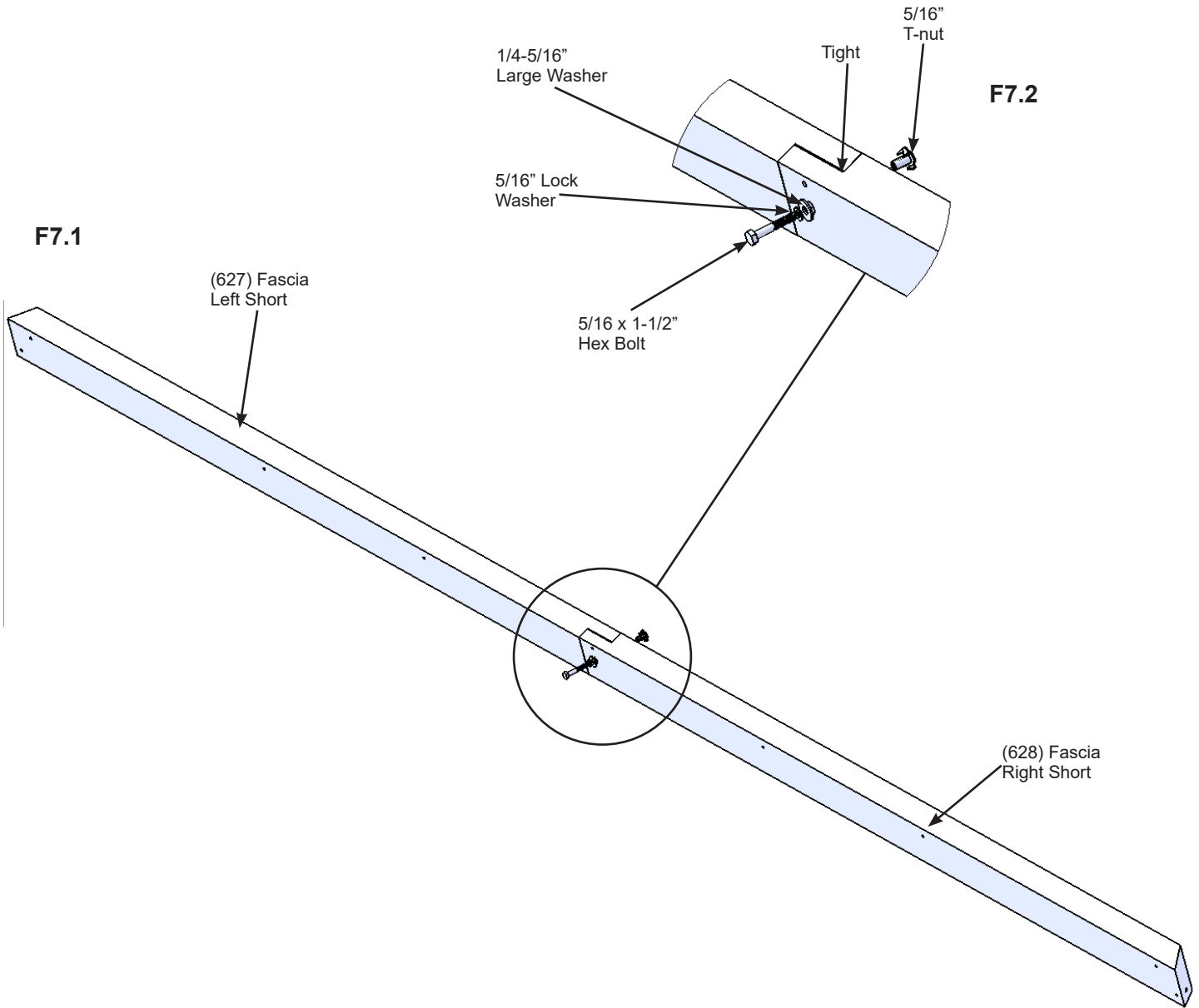
2 x Large Centre Roof Bracket

Hardware

4 x #12 x 1-1/2" Pan Screw

Step 7: Fascia Beam Assembly - Small Roof Rafter

A: Tightly connect one (627) Fascia Left Short and one (628) Fascia Right Short using one 5/16 x 1-1/2" Hex Bolt (with 5/16" lock washer, 1/4-5/16" large washer and 5/16" t-nut) as shown in F7.1 and F7.2. Repeat to make a second Fascia Beam Assembly.



Wood Parts

2 x (627) Fascia Left Short
2 x (628) Fascia Right Short

Hardware

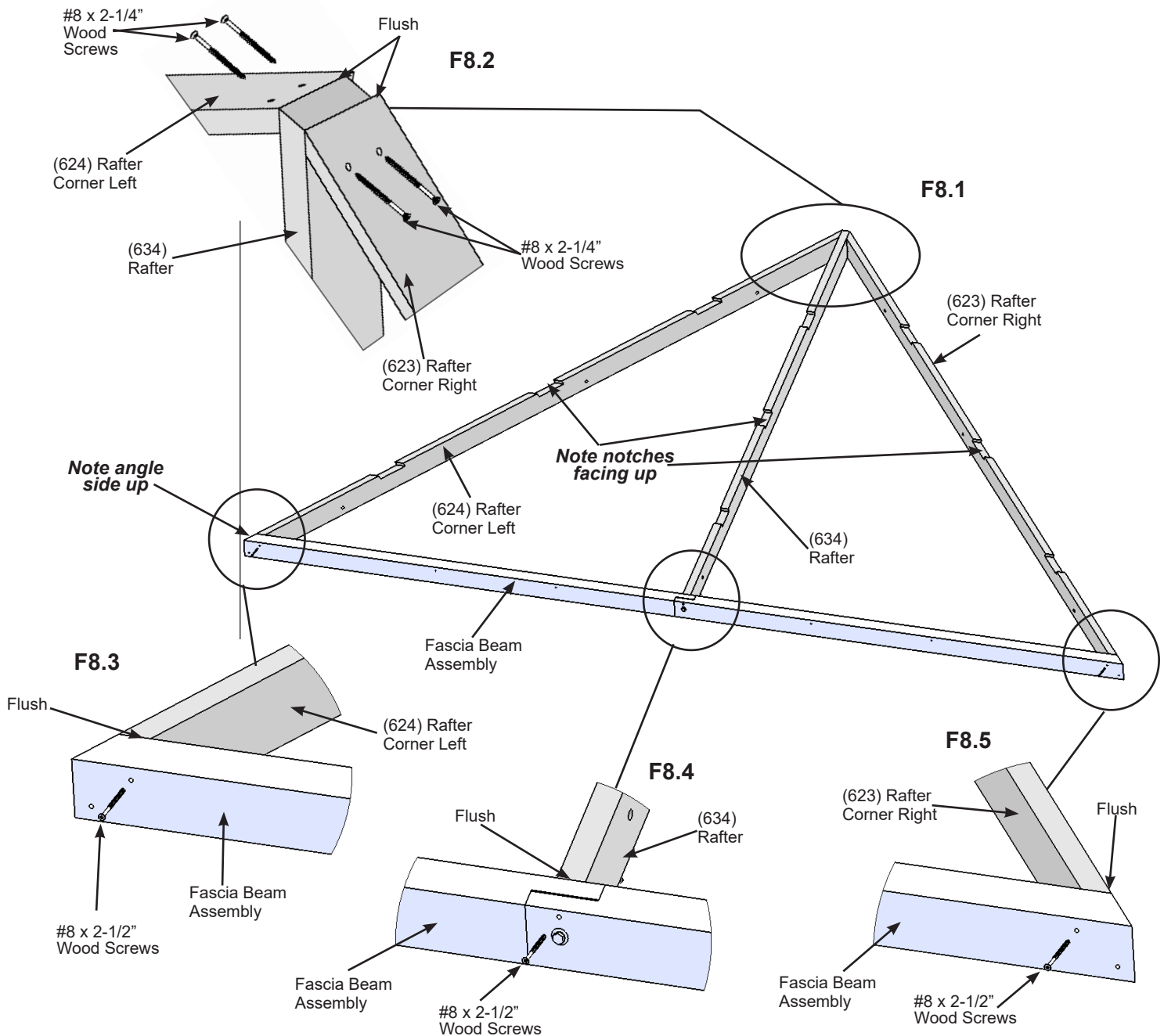
2 x 5/16 x 1-1/2" Hex Bolt
(5/16" lock washer, 1/4-5/16" large washer, 5/16" t-nut)

Step 8: Small Roof Assembly Part 1

A: On each side of one (634) Rafter place one (624) Rafter Corner Left and one (623) Rafter Corner Right so the tops and edges are flush then attach with two #8 x 2-1/4" Wood Screws per side. (F8.1 and F8.2)

B: Place Fascia Beam Assembly from Step 7 on the bottom of (624) Rafter Corner Left, (623) Rafter Corner Right and (634) Rafter so the sides are flush then attach with one #8 x 2-1/2" Wood Screw at each end and one in the middle. (F8.1, F8.3, F8.4 and F8.5)

C: Repeat Steps A and B to make a second Small Roof Assembly.



Wood Parts

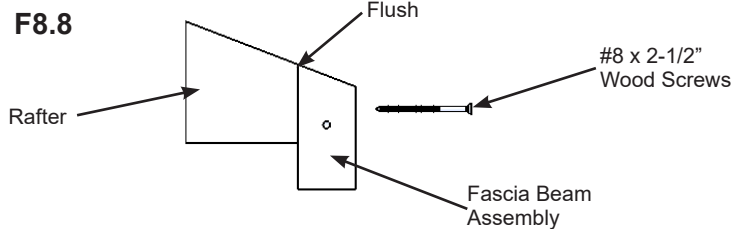
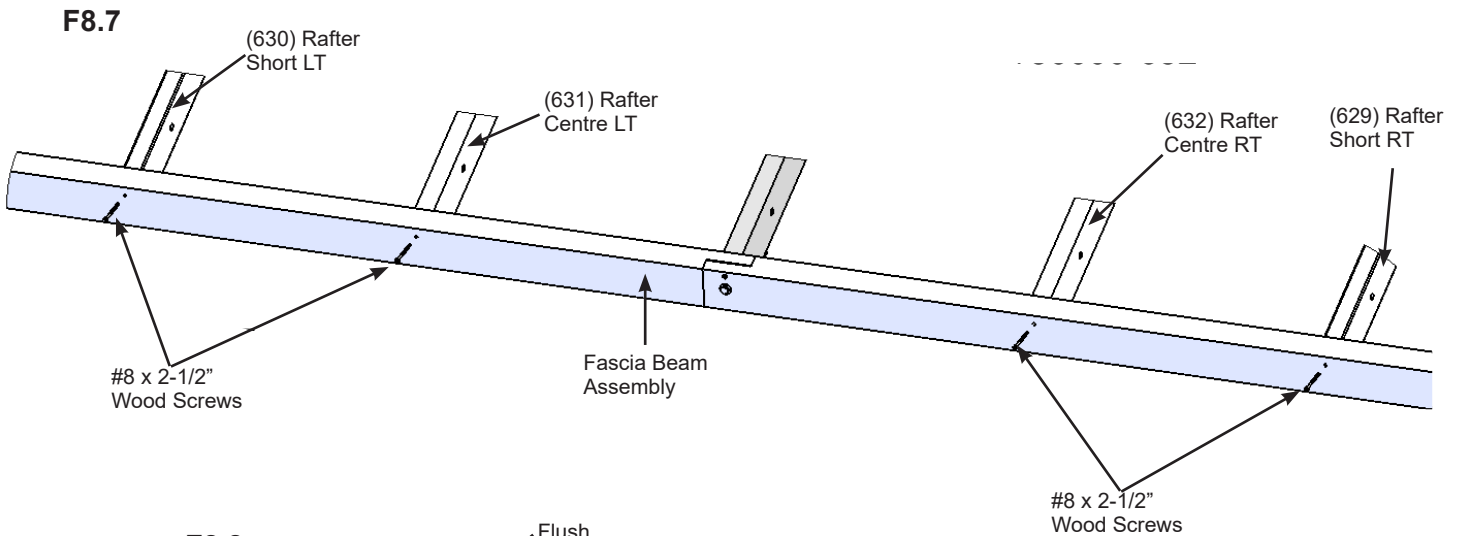
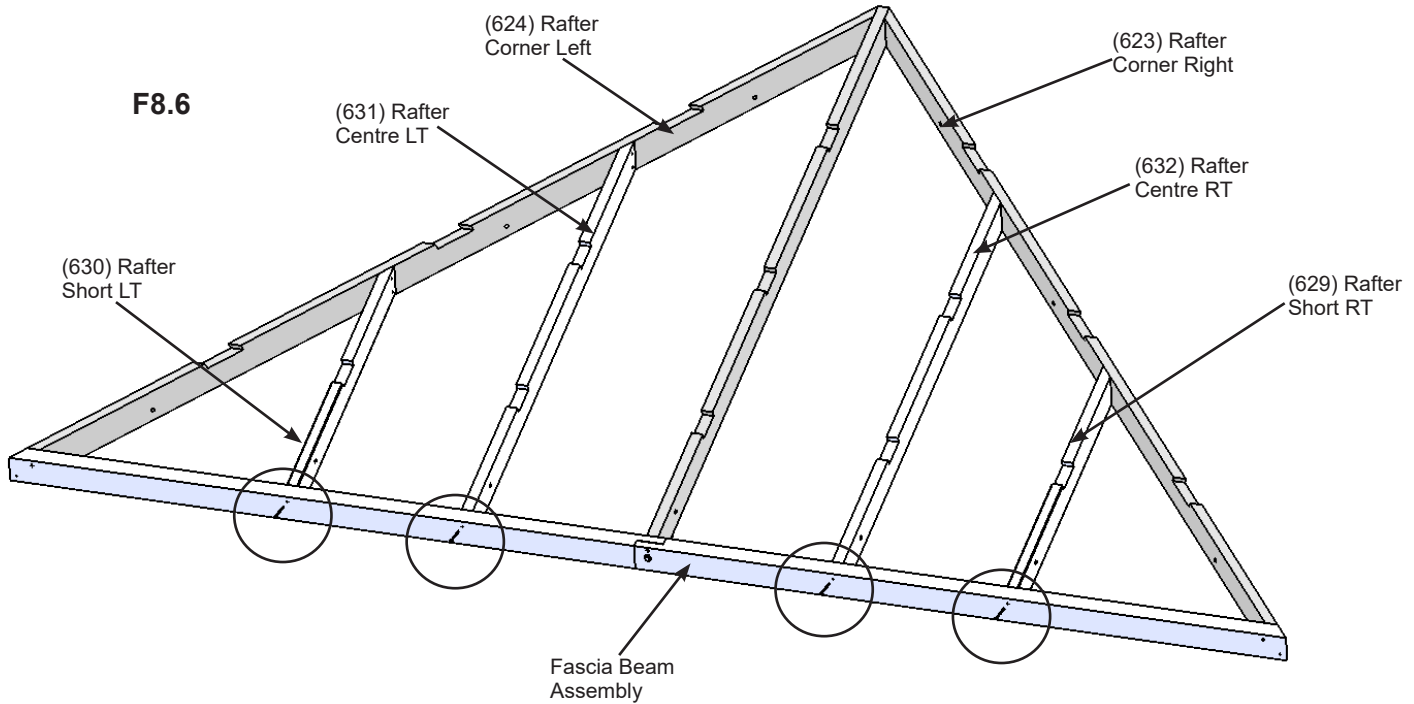
- 2 x (634) Rafter
- 2 x (623) Rafter Corner Right
- 2 x (624) Rafter Corner Left

Hardware

- 8 x #8 x 2-1/4" Wood Screw
- 6 x #8 x 2-1/2" Wood Screw

Step 8: Small Roof Assembly Part 2

D: Place one (629) Rafter Short RT, one (632) Rafter Centre RT, one (631) Rafter Centre LT and one (630) Rafter Short LT over the pilot holes in the Fascia Beam Assembly so they are flush to the top of the assembly and tight to both (623) Rafter Corner Right and (624) Rafter Corner Left, as shown in F8.6. Attach Fascia Beam Assembly to rafters with one #8 x 2-1/2" Wood Screw per rafter. Repeat for second Small Roof Assembly. (F8.6, F8.7 and F8.8)



Wood Parts

- 2 x (629) Rafter Short RT
- 2 x (630) Rafter Short LT
- 2 x (631) Rafter Centre LT
- 2 x (632) Rafter Centre RT

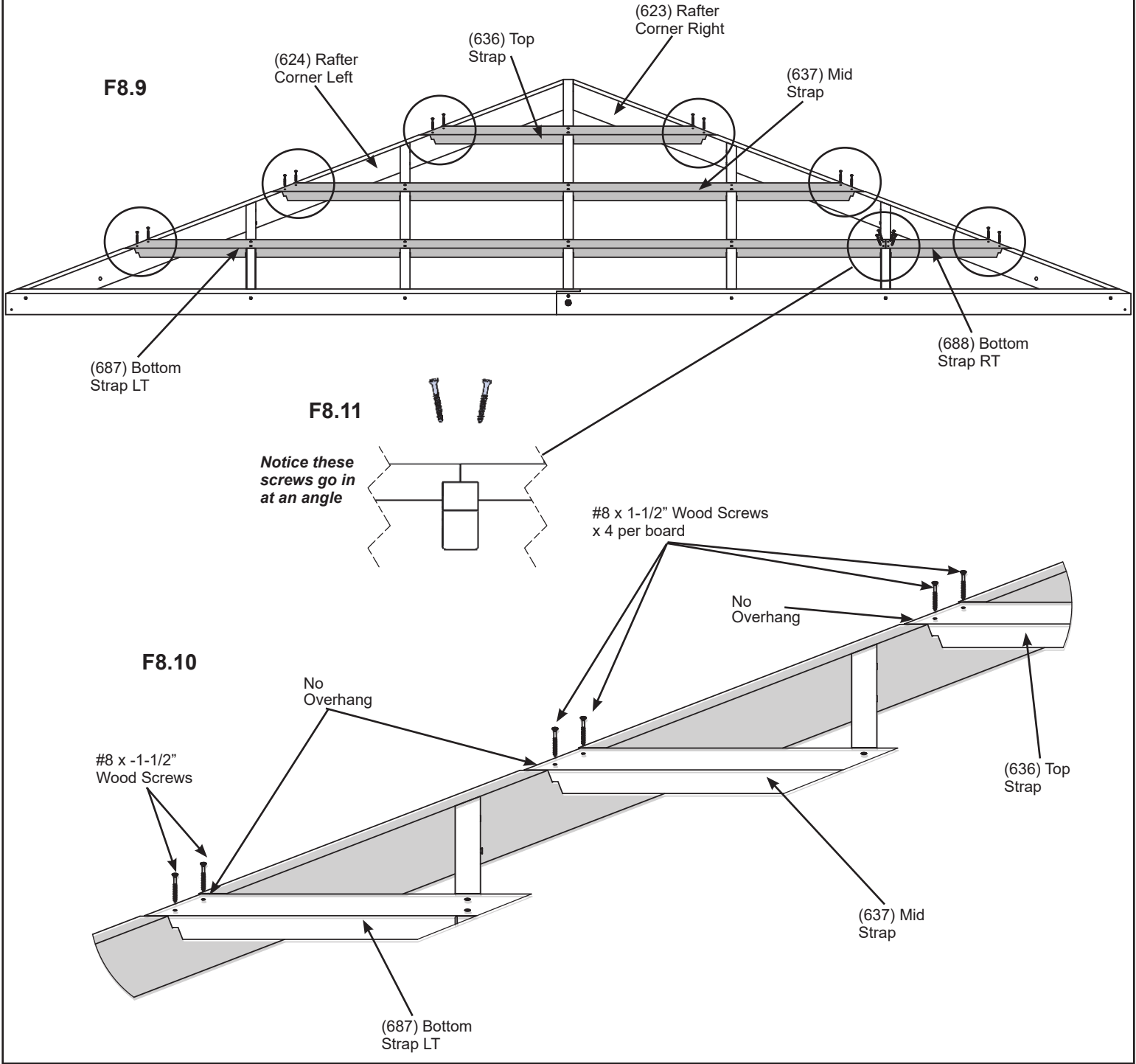
Hardware

- 8 x #8 x 2-1/2" Wood Screw

Step 8: Small Roof Assembly

Part 3

E: Place one (636) Top Strap, one (637) Mid Strap, one (687) Bottom Strap LT and one (688) Bottom Strap RT in the notches of each rafter so the ends do not overhang the outside edges of the outside boards. (687) Bottom Strap LT and (688) Bottom Strap RT sit tight together. Attach with four #8 x 1-1/2" Wood Screws per strap. Complete for each Small Roof Assembly. (F8.9, F8.10 and F8.11)



Wood Parts

- 2 x (636) Top Strap
- 2 x (637) Mid Strap
- 2 x (687) Bottom Strap LT
- 2 x (688) Bottom Strap RT

Hardware

- 32 x #8 x 1-1/2" Wood Screw

Step 8: Small Roof Assembly

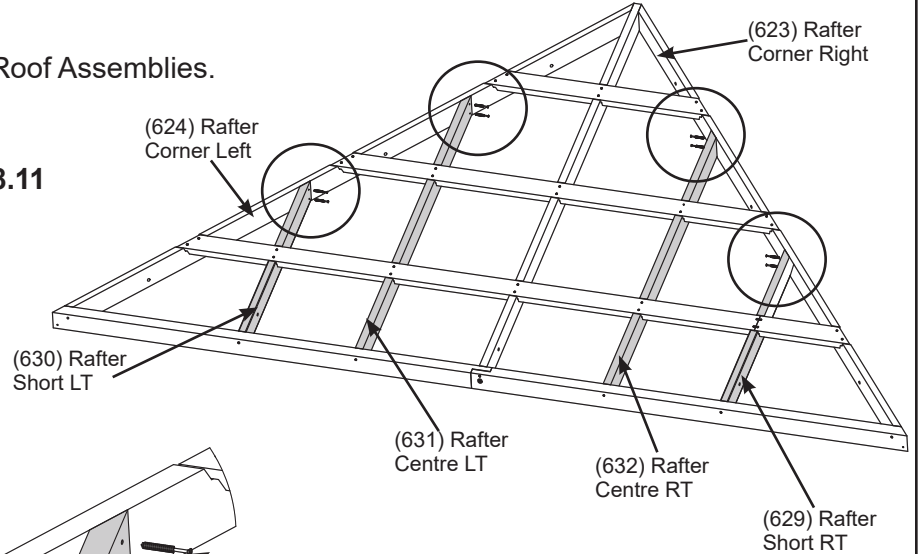
Part 4

F: Attach (629) Rafter Short RT and (632) Rafter Centre RT to (623) Rafter Corner Right and (631) Rafter Centre LT and (630) Rafter Short LT to (624) Rafter Corner Left with two #8 x 1-1/2" Wood Screw per rafter. (F8.11 and F8.12)

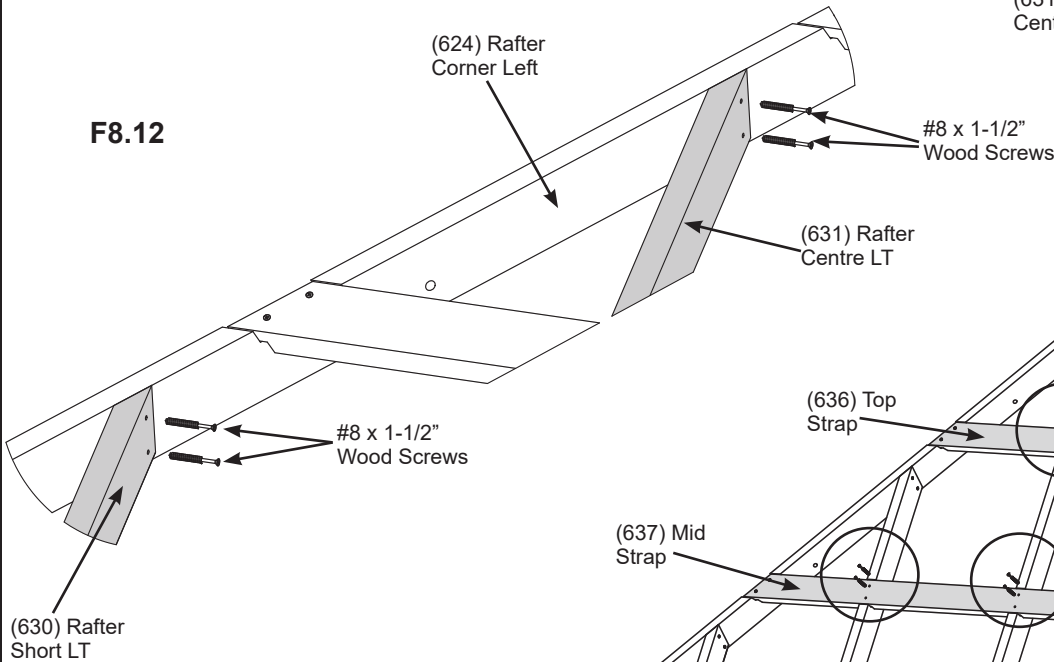
G: Attach (636) Top Strap, (637) Mid Strap and (687) Bottom Strap LT to rafters with 16 #8 x 1-1/2" Wood Screws. (F8.13)

H: Complete Steps F and G for both Small Roof Assemblies.

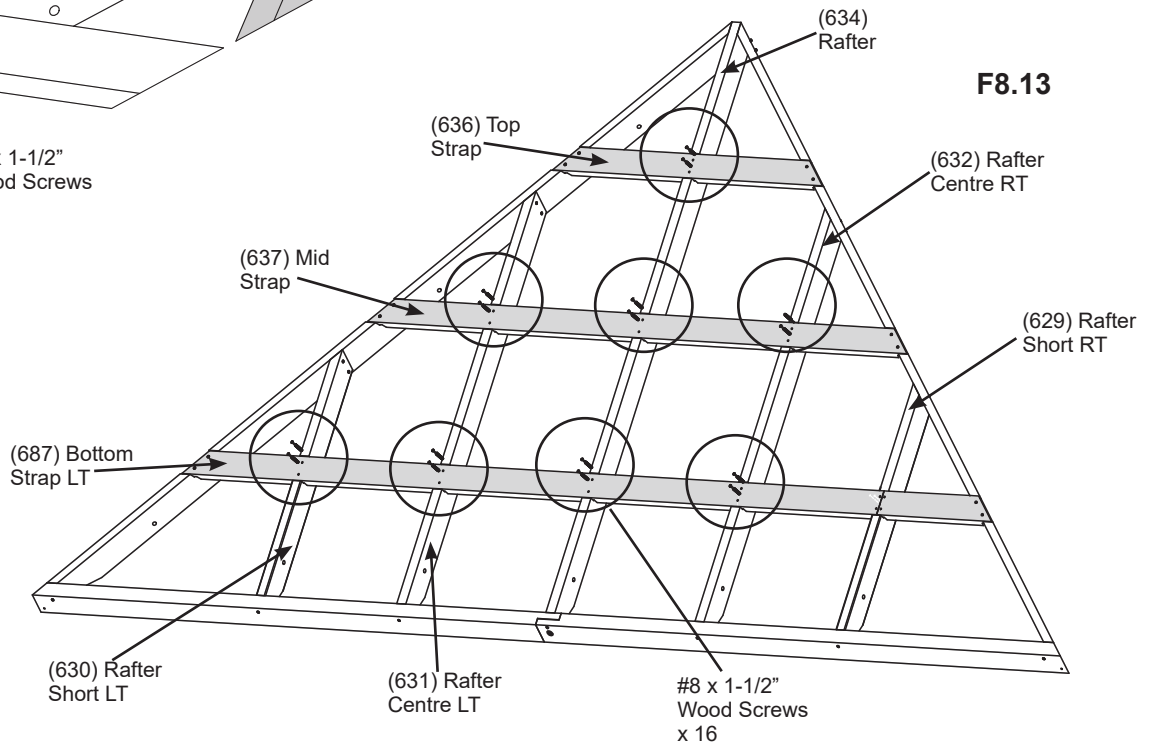
F8.11



F8.12



F8.13

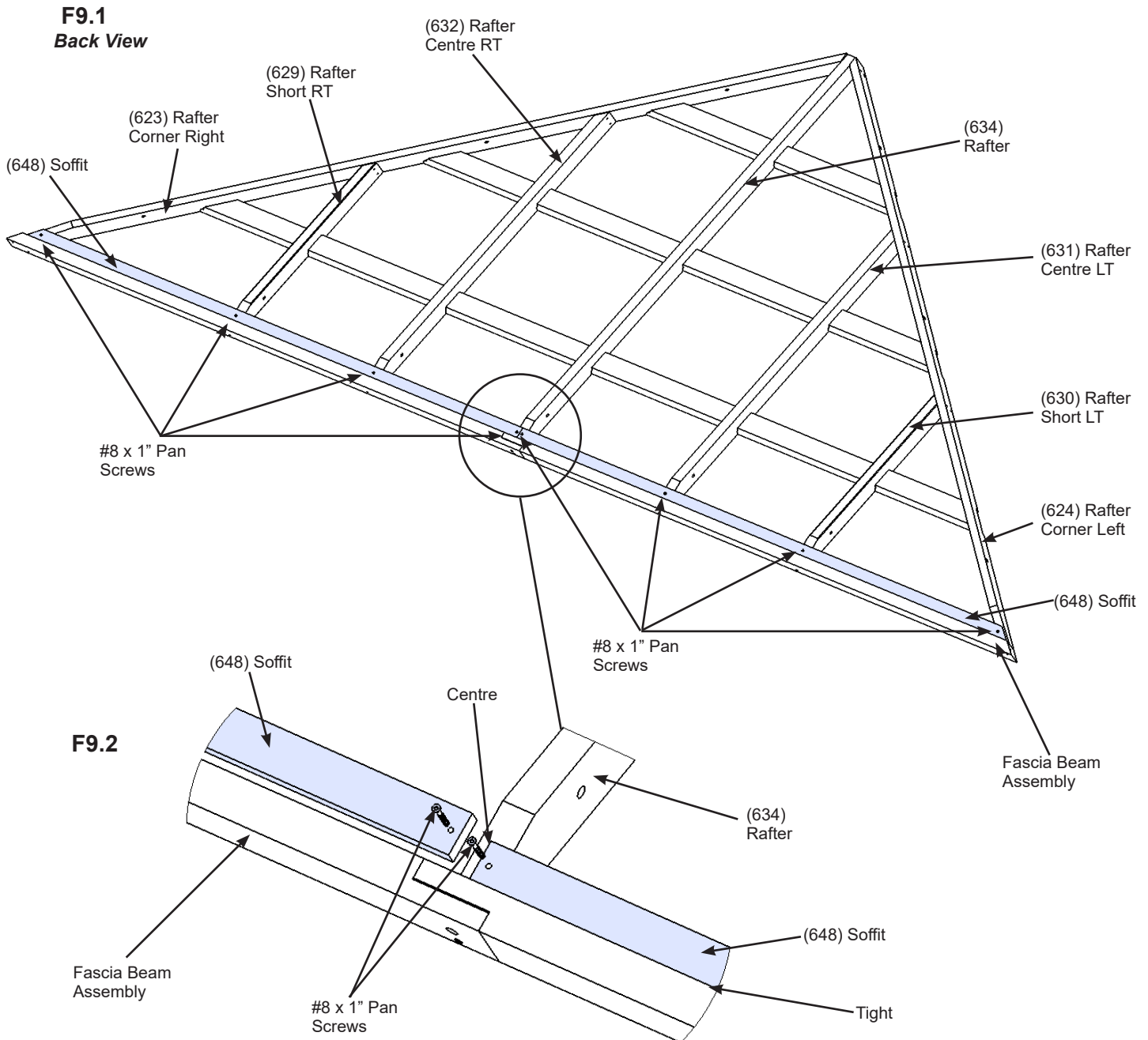


Hardware

48 x #8 x 1-1/2" Wood Screw

Step 9: Attach Soffits - Small Roof Assembly

A: Turn over each Small Roof Assembly then place two (648) Soffits tight together at centre of (634) Rafter and tight to the top of Fascia Beam Assembly. Attach (648) Soffits to (634) Rafter, (623) Rafter Corner Right, (624) Rafter Corner Left, (629) Rafter Short RT, (630) Rafter Short LT, (632) Rafter Centre RT and (631) Rafter Centre LT with four #8 x 1" Pan Screws per soffit. (F9.1 and F9.2)

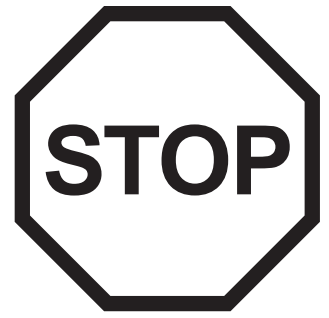
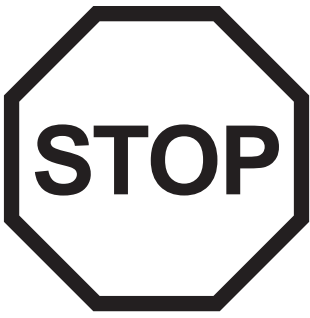


Wood Parts

4 x (648) Soffit

Hardware

16 x #8 x 1" Pan Screw



INSTALLING ROOFING MATERIAL

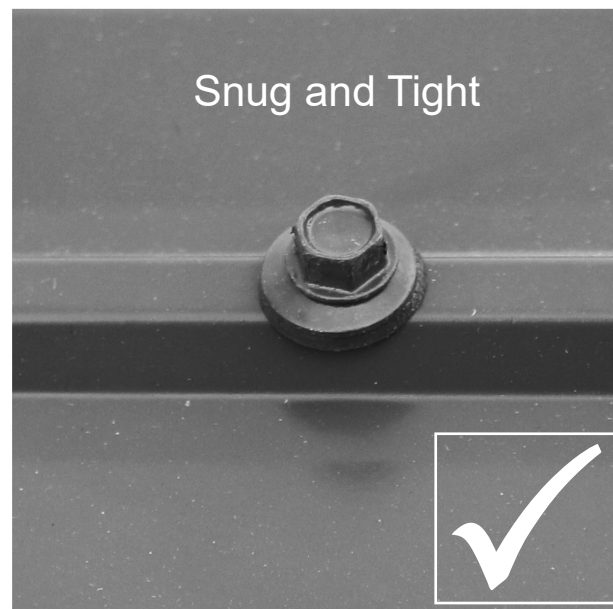
CAUTION!

Roofing material may have sharp edges! Wear gloves!

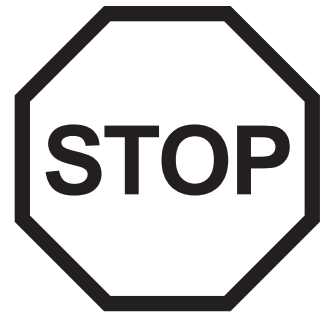
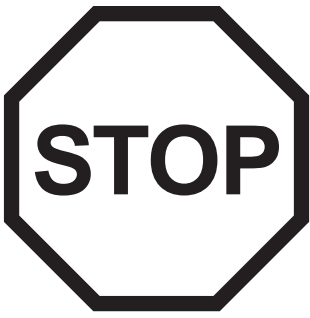
HANDLE WITH CARE!

Place roofing material on a non-abrasive surface before assembly as it can bend, dent and scratch easily.

**WARNING – DO NOT OVER TIGHTEN ROOFING SCREWS!
Over tightening screws will cause roofing material to crush.**



The roofing screws can easily crush the Roof Panels and Roof Edges when using a power drill. We recommend hand tightening the roofing screws so that they sit snug and tight to the roofing material.

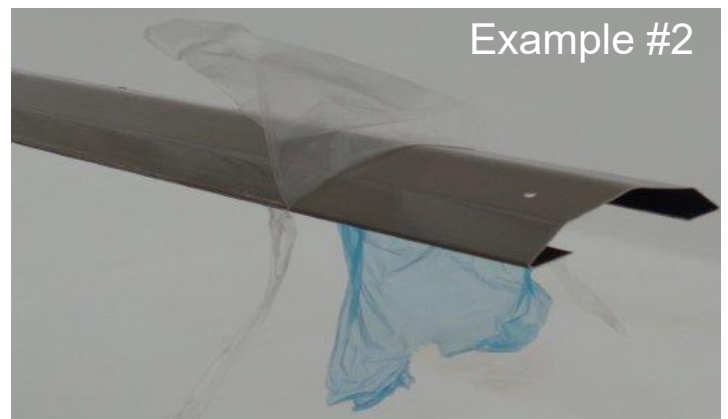
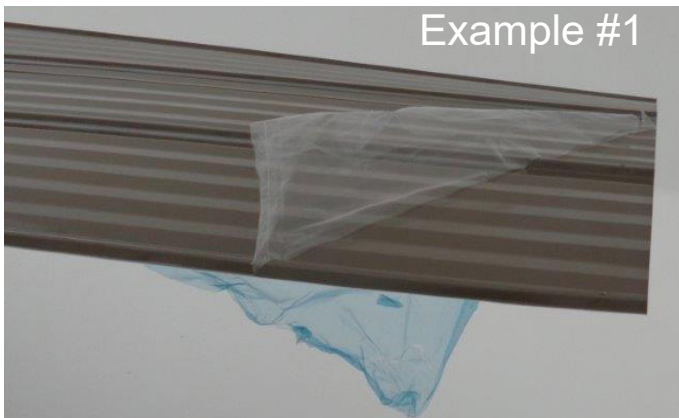


INSTALLING ROOFING MATERIAL

CAUTION!

Roofing material may have sharp edges! Wear gloves!

BE SURE TO REMOVE ALL PLASTIC COVERING, ON BOTH SIDES OF THE ALUMINUM PANELS AND TRIM, DIRECTLY BEFORE INSTALLING EACH PIECE. *(One side is clear and the other is blue, both must be removed.)*



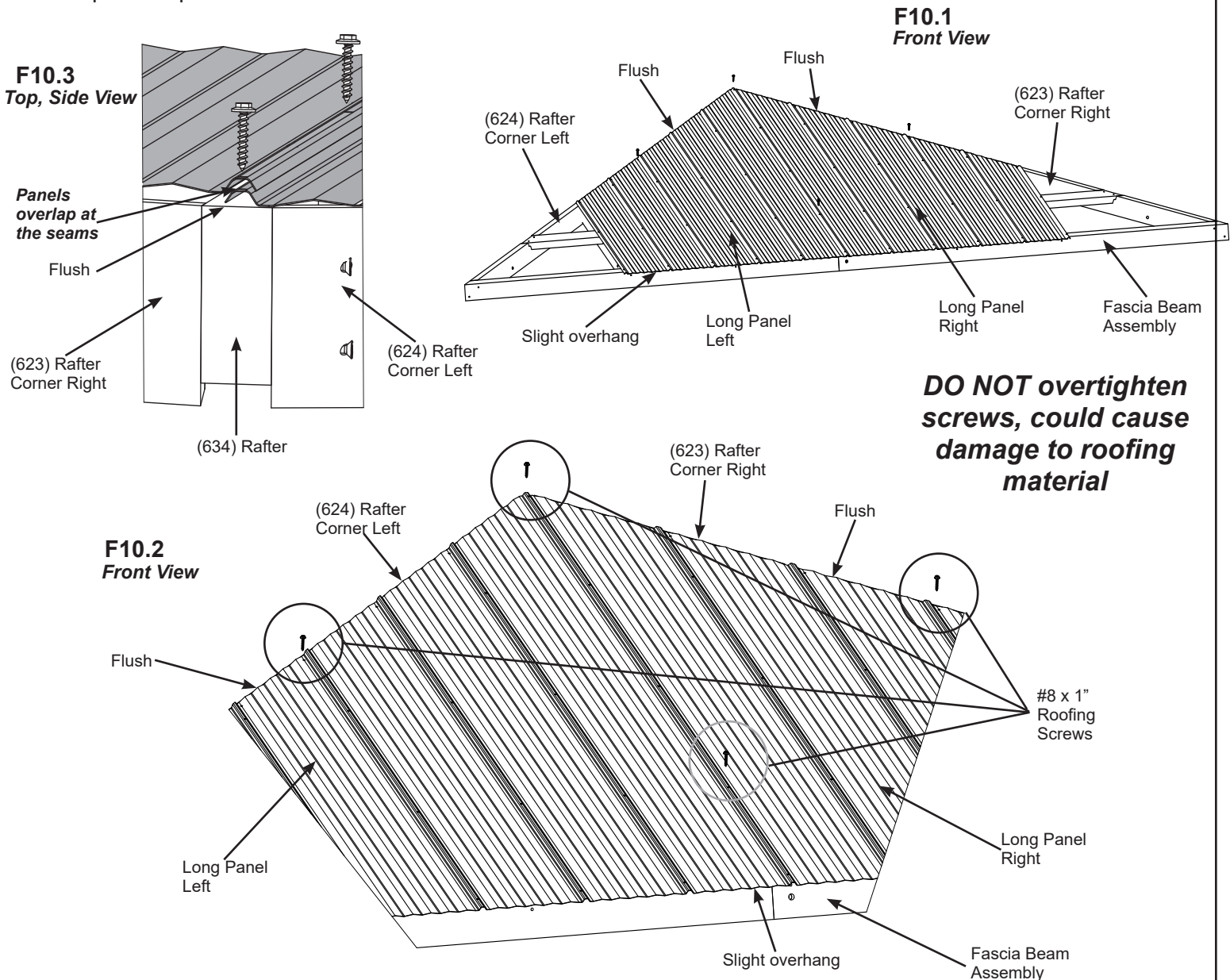
Step 10: Attach Roof Panels - Small Roof Assembly Part 1

A: Place one Long Panel Left on the front of one Small Roof Assembly so it is flush to the side of (624) Rafter Corner Left and a slight overhang at the bottom of the Fascia Beam Assembly. Centre holes should line up with (634) Rafter. (F10.1 and F10.2)

B: Place one Long Panel Right on Small Roof Assembly so it overlaps the Long Panel Left and it is flush to the side of (623) Rafter Corner Right and a slight overhang at the bottom of the Fascia Beam Assembly. (F10.1, F10.2 and F10.3)

C: Attach both Left and Right Long Panels to Small Roof Assembly with four #8 x 1" Roofing Screws in locations shown in F10.1 and F10.2. Be sure not to overtighten screws.

D: Repeat Steps A - C for both Small Roof Assemblies.



Roof Parts

- 2 x Long Panel Left
- 2 x Long Panel Right

Hardware

- 8 x #8 x 1" Roofing Screw

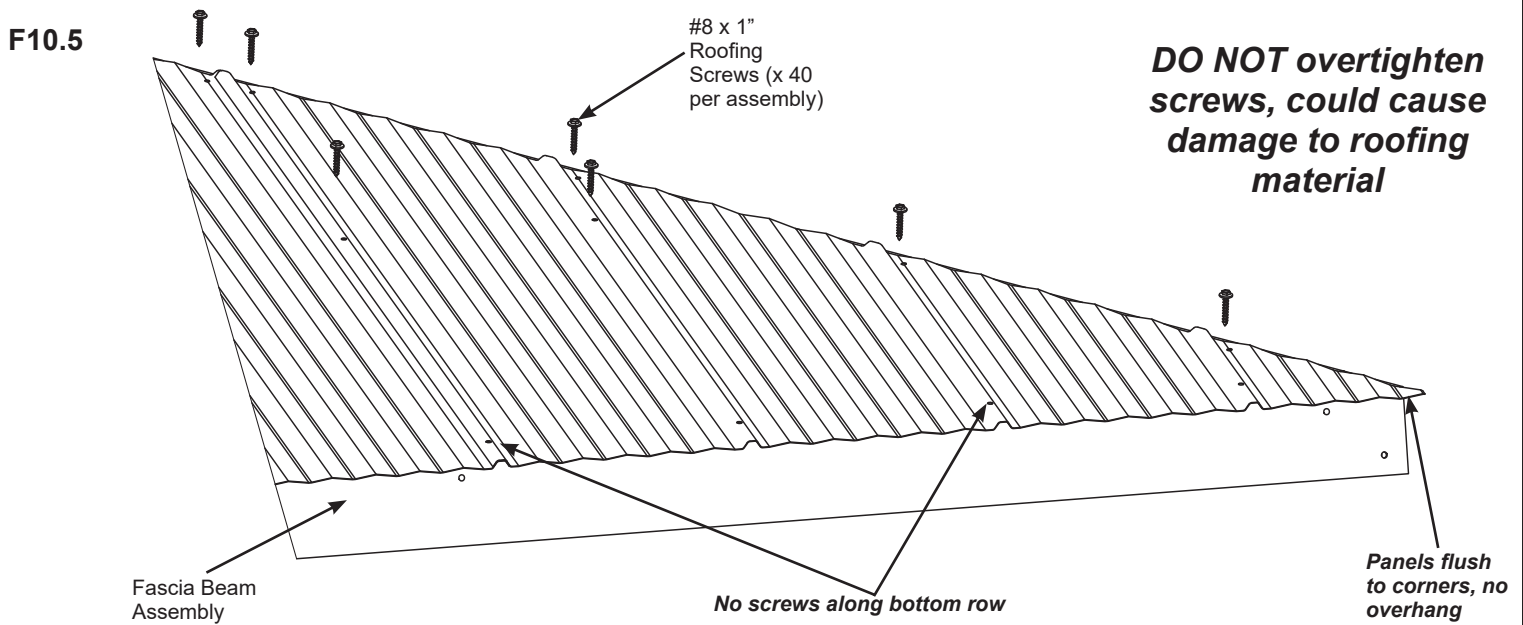
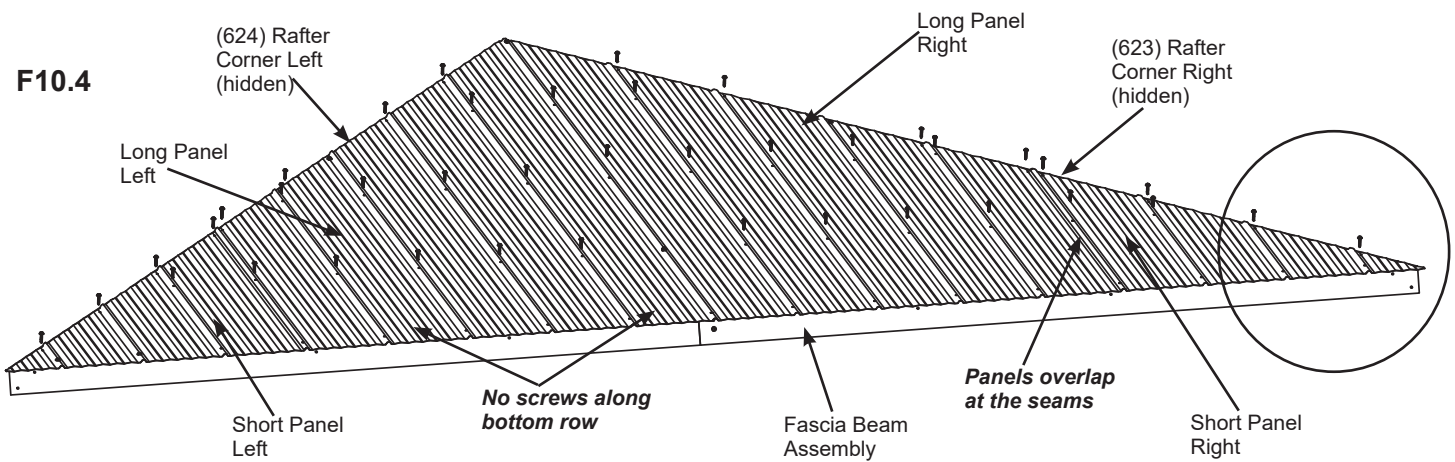
Step 10: Attach Roof Panels - Small Roof Assembly Part 2

E: Place one Short Panel Left on Small Roof Assembly so it overlaps the Long Panel Left and it is flush to the sides of (624) Rafter Corner Left and a slight overhang at the bottom of the Fascia Beam Assembly. There should be no overhang at the corners. (F10.4 and F10.5)

F: Place one Short Panel Right on Small Roof Assembly so it overlaps the Long Panel Right and it is flush to the side of (623) Rafter Corner Right and a slight overhang at the bottom of the Fascia Beam Assembly. There should be no overhanging at the corners. (F10.4 and F10.5)

G: Attach all panels to Small Roof Assembly with 40 #8 x 1" Roofing Screws in locations shown in F10.4. Do not place any screws along the bottom row. Be sure not to overtighten screws.

H: Repeat Steps E - G for both Small Roof Assemblies.



Roof Parts

- 2 x Short Panel Left
- 2 x Short Panel Right

Hardware

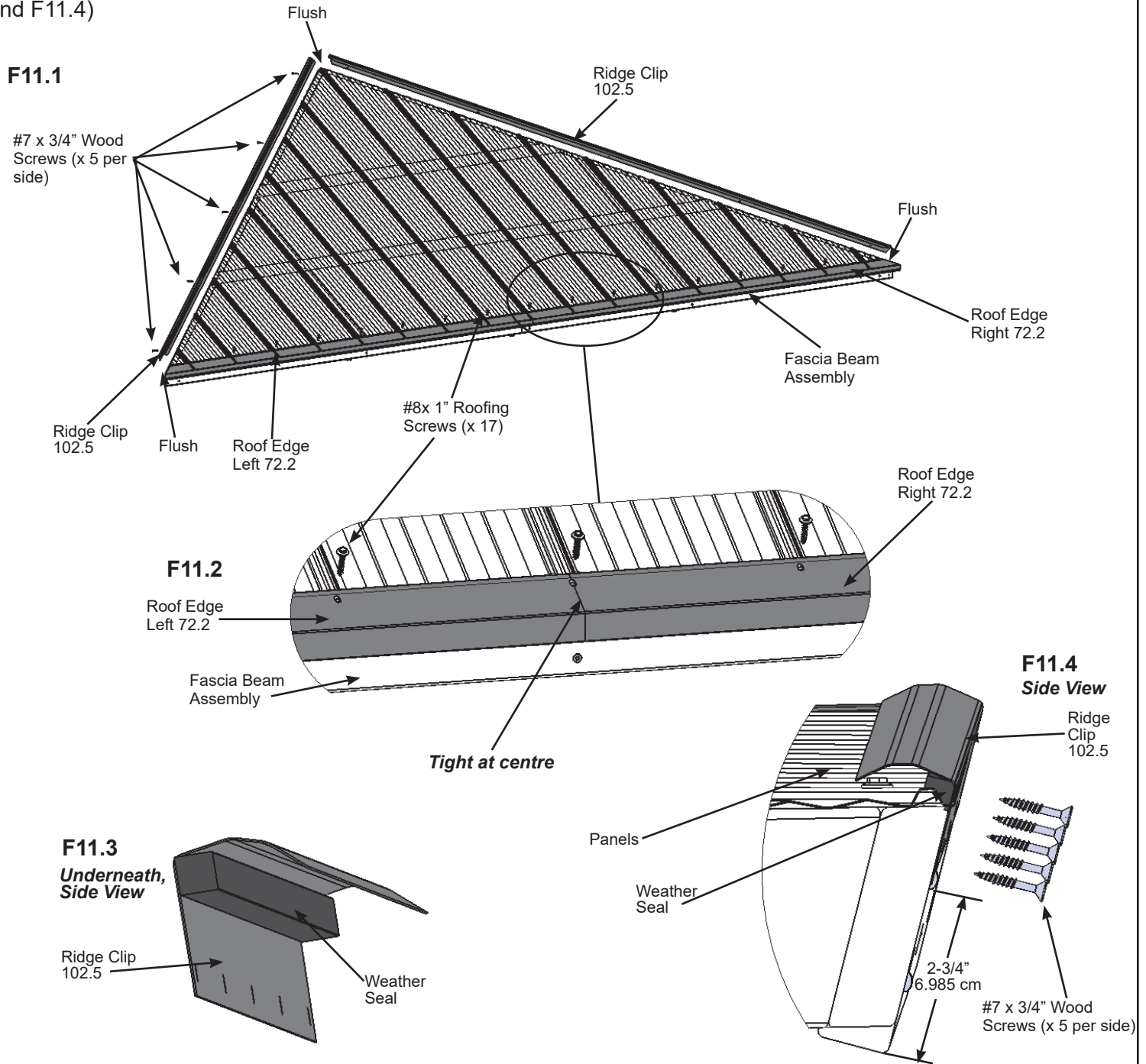
- 80 x #8 x 1" Roofing Screw

Step 11: Attach Ridge Clips and Roof Edges - Small Roof



A: Place one Roof Edge Left 72.2 and one Roof Edge Right 72.2 on the bottom of each Small Roof Rafter Assembly so the ends are flush with the outside ends of the Fascia Beam Assembly and meet tight in the centre. Attach both Roof Edges with 17 #8 x 1" Roofing Screws per Small Roof Rafter assembly. (F11.1 and F11.2)

B: Place one Weather Seal on the inside of four Ridge Clip 102.5 then place one Ridge Clip 102.5 on each side of each Small Roof Rafter Assembly so they cover the panels and bottom edge is 2-3/4" (6.985 cm) up from the bottom of the Corner Rafters then attach with five #7 x 3/4" Wood Screws per Ridge Clip 102.5. (F11.1, F11.3 and F11.4)



Components

- 2 x Roof Edge Left 72.2
- 2 x Roof Edge Right 72.2
- 4 x Ridge Clip 102.5
- 4 x Weather Seal

Hardware

- 34 x #8 x 1" Roofing Screw
- 20 x #7 x 3/4" Wood Screw

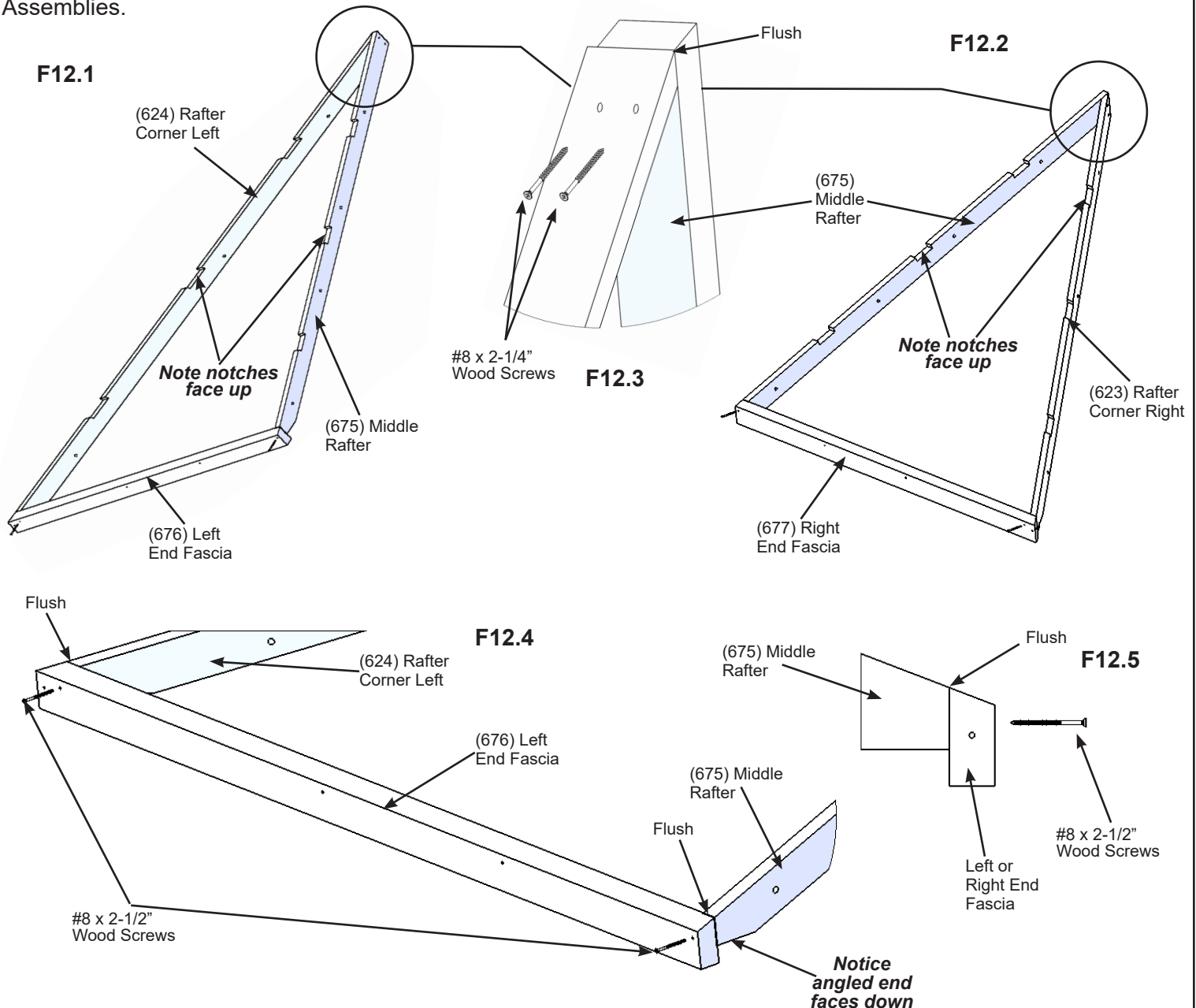
Step 12: Corner Roof Assemblies

Part 1

A: On the left side of one (675) Middle Rafter place one (624) Rafter Corner Left so the tops and edges are flush, notice on the (675) Middle Rafter the angled end at the bottom slopes down then attach with two #8 x 2-1/4" Wood Screws. Repeat this step by attaching one (623) Rafter Corner Right on the right side of one (675) Middle Rafter. (F12.1, F12.2 and F12.3)

B: Place one (676) Left End Fascia on the bottom of (624) Rafter Corner Left and (675) Middle Rafter so the tops and edges are flush then attach with two #8 x 2-1/2" Wood Screws. Repeat this step by attaching one (677) Right End Fascia to (623) Rafter Corner Right and (675) Middle Rafter. (F12.1, F12.2, F12.4 and F12.5)

C: Repeat Steps A and B to make a total of two Left Corner Roof Assemblies and two Right Corner Roof Assemblies.



Wood Parts

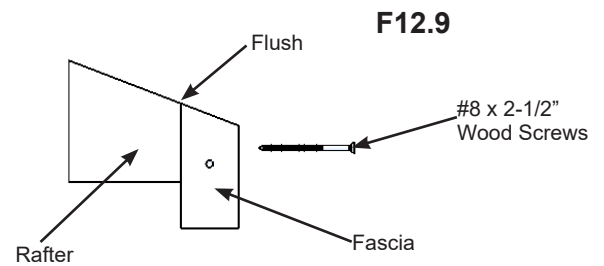
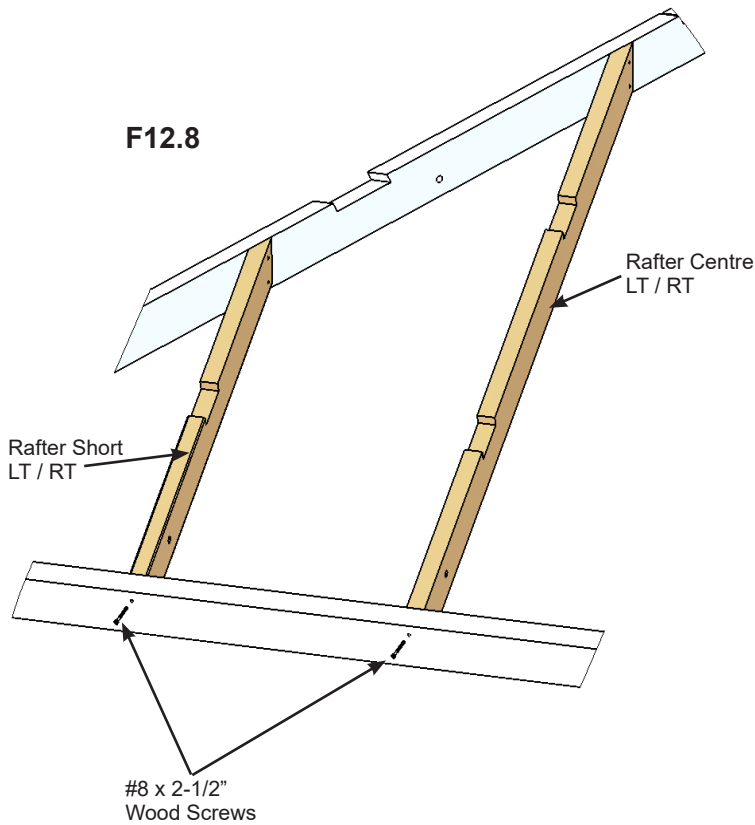
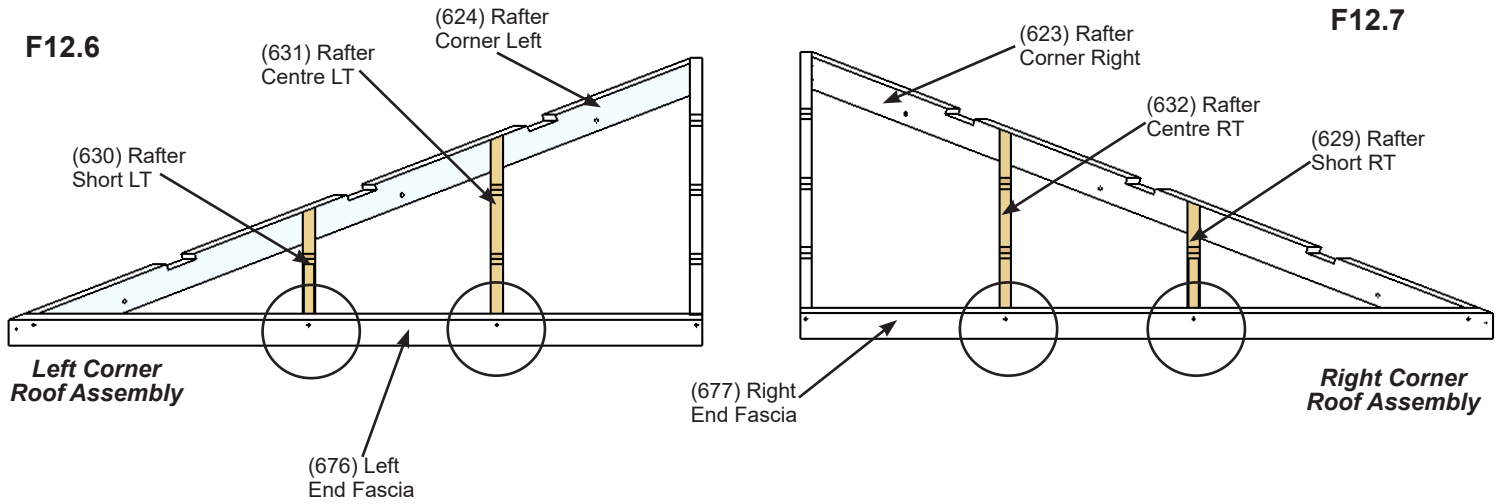
- 4 x (675) Middle Rafter
- 2 x (623) Rafter Corner Right
- 2 x (624) Rafter Corner Left
- 2 x (676) Left End Fascia
- 2 x (677) Right End Fascia

Hardware

- 8 x #8 x 2-1/4" Wood Screw
- 8 x #8 x 2-1/2" Wood Screw

Step 12: Corner Roof Assemblies Part 2

D: For each Right Corner Roof Assembly and each Left Corner Roof Assembly, place one (629) Rafter Short RT, one (632) Rafter Centre RT, one (631) Rafter Centre LT and one (630) Rafter Short LT over the pilot holes in the (677) Right End Fascia and (676) Left End Fascia so they are flush to the top of the assembly and tight to both (623) Rafter Corner Right and (624) Rafter Corner Left, as shown in F12.6 and F12.7. Attach each End Fascia to each rafter with one #8 x 2-1/2" Wood Screw per rafter. (F12.6, F12.7, F12.8 and F12.9)



Wood Parts

- 2 x (629) Rafter Short RT
- 2 x (630) Rafter Short LT
- 2 x (631) Rafter Centre LT
- 2 x (632) Rafter Centre RT

Hardware

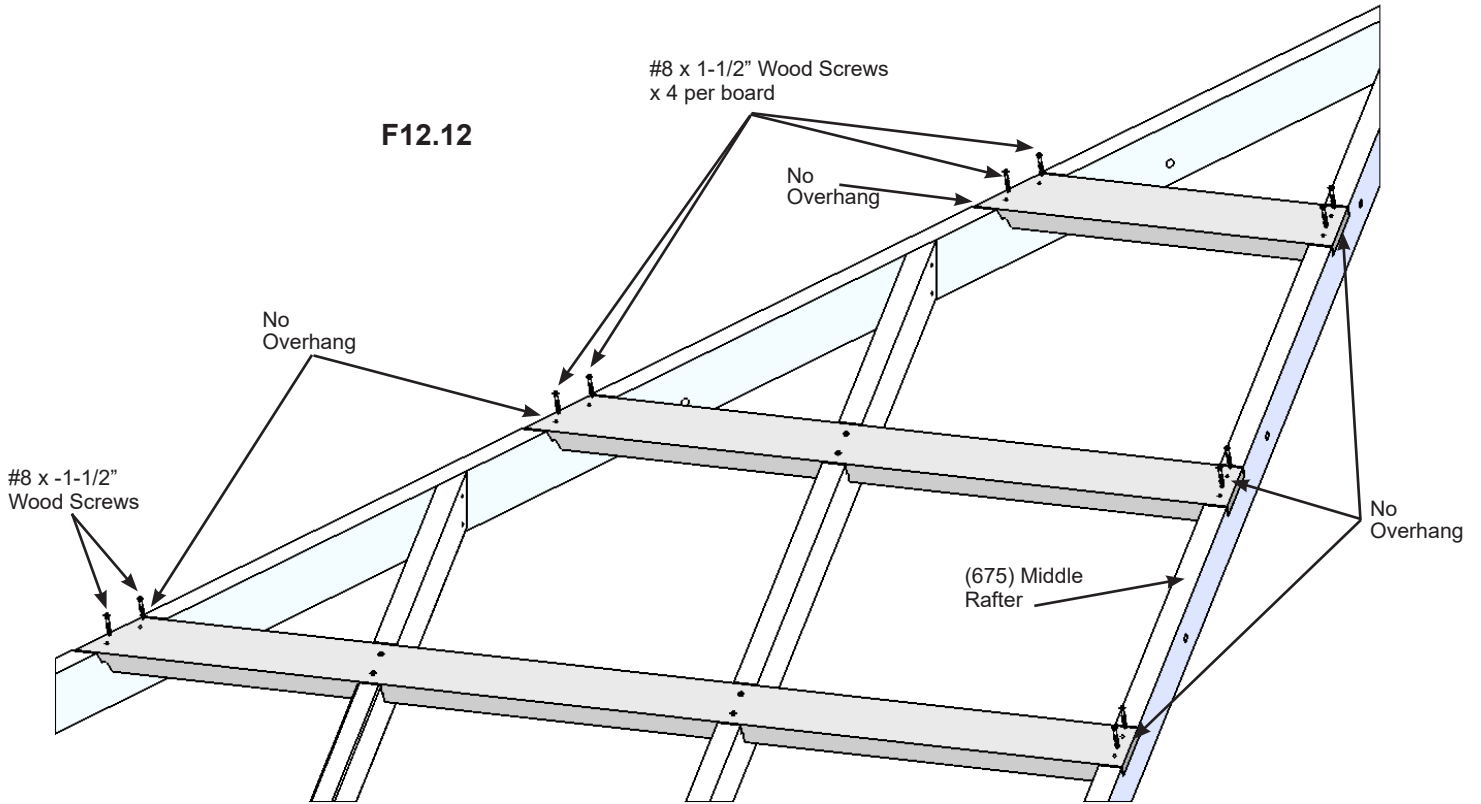
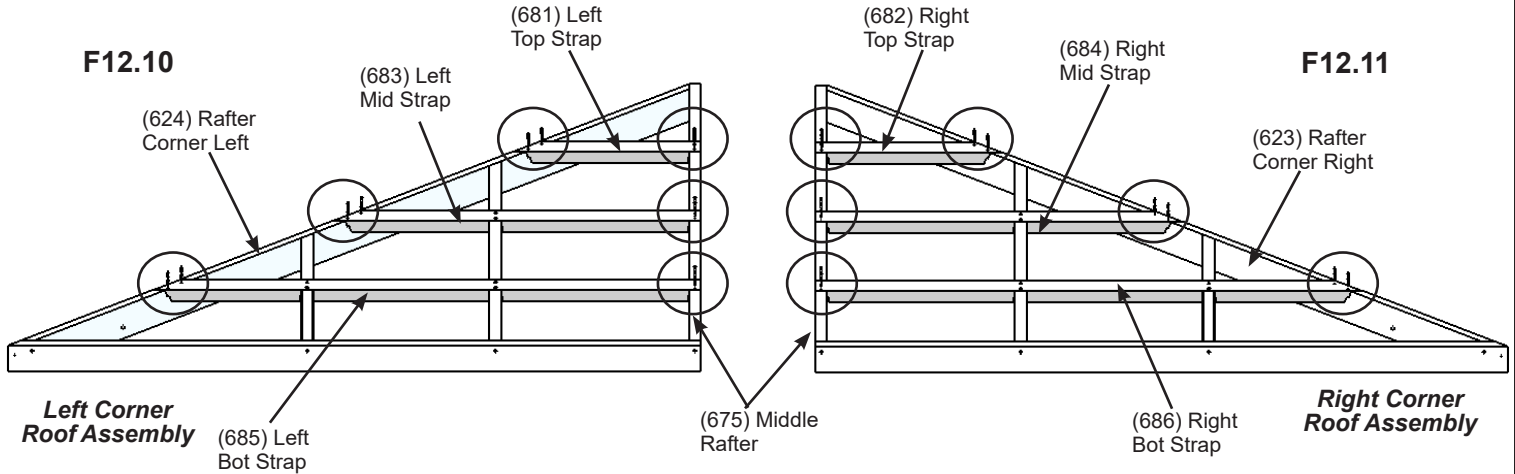
- 8 x #8 x 2-1/2" Wood Screw

Step 12: Corner Roof Assemblies

Part 3

E: For each Left Corner Roof Panel place one (681) Left Top Strap, one (683) Left Mid Strap and one (685) Left Bot Strap in the notches of each rafter so the ends do not overhang the outside edges of the outside boards then attach with four #8 x 1-1/2" Wood Screws per strap. (F12.10 and F12.12)

F: For each Right Corner Roof Panel place one (682) Right Top Strap, one (684) Right Mid Strap and one (686) Right Bot Strap in the notches of each rafter so the ends do not overhang the outside edges of the outside boards then attach with four #8 x 1-1/2" Wood Screws per strap. (F12.11 and F12.12)



Wood Parts

2 x (681) Left Top Strap	2 x (684) Right Mid Strap
2 x (682) Right Top Strap	2 x (685) Left Bot Strap
2 x (683) Left Mid Strap	2 x (686) Right Bot Strap

Hardware

48 x #8 x 1-1/2" Wood Screw

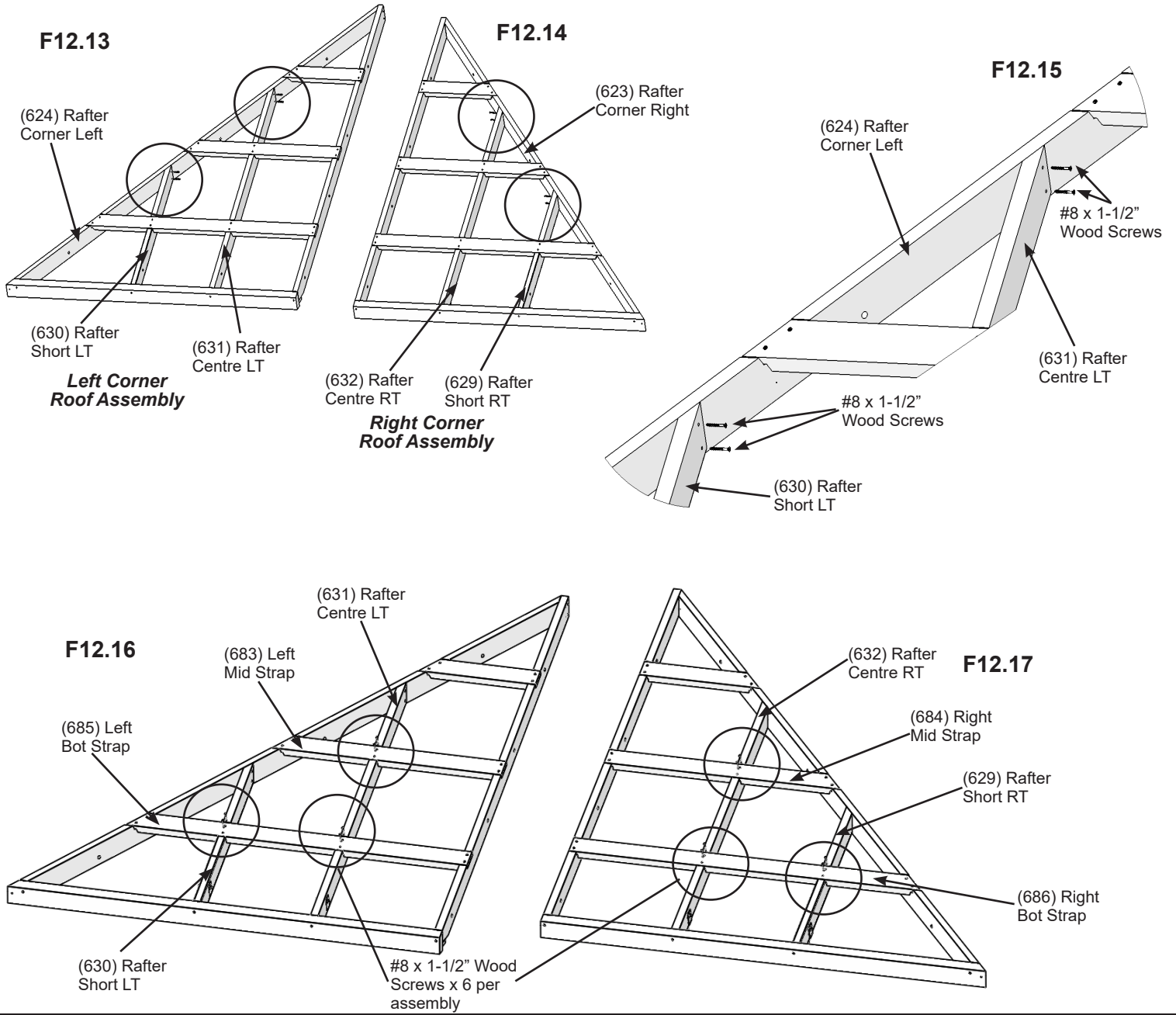
Step 12: Corner Roof Assemblies

Part 4

G: Attach (629) Rafter Short RT and (632) Rafter Centre RT to (623) Rafter Corner Right and (631) Rafter Centre LT and (630) Rafter Short LT to (624) Rafter Corner Left with two #8 x 1-1/2" Wood Screw per rafter. (F12.13, F12.14 and F12.15)

H: Attach (684) Right Mid Strap and (686) Right Bot Strap to (629) Rafter Short RT and (632) Rafter Centre RT; and (683) Left Mid Strap and (685) Left Bot Strap to (630) Rafter Short LT and (631) Rafter Centre LT with 12 #8 x 1-1/2" Wood Screws. (F12.16 and F12.17)

I: Complete Steps G and H for all Corner Roof Assemblies.

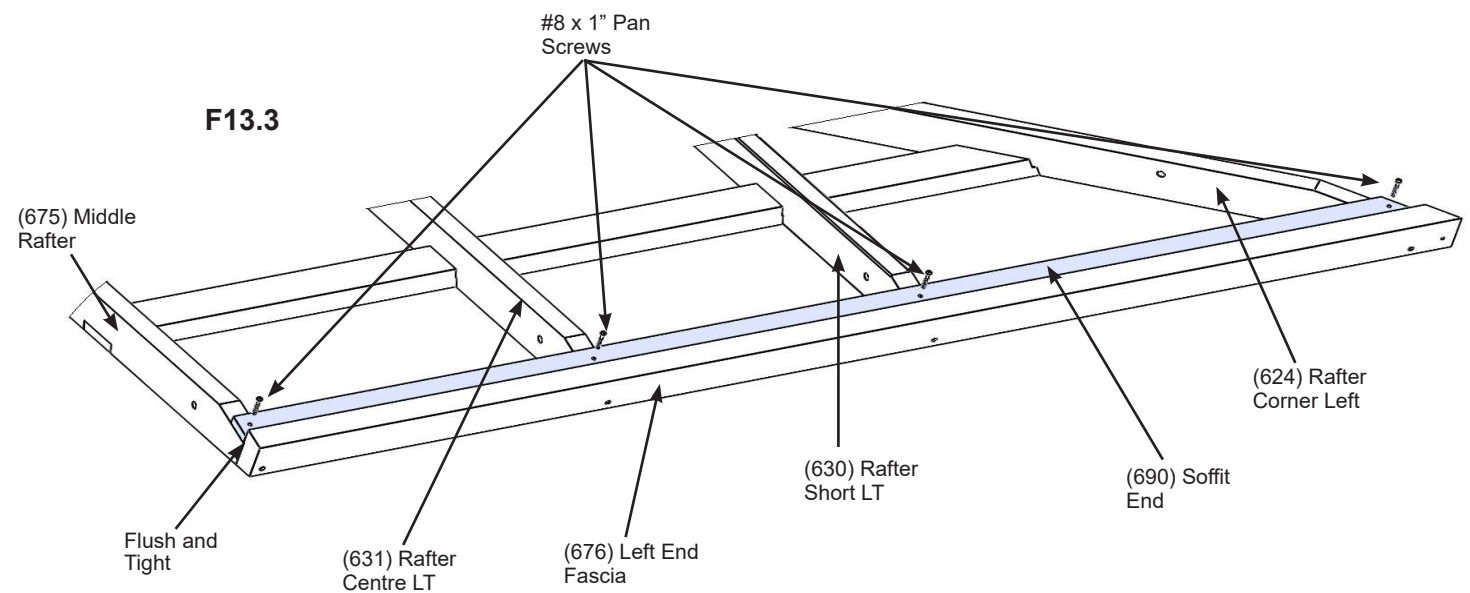
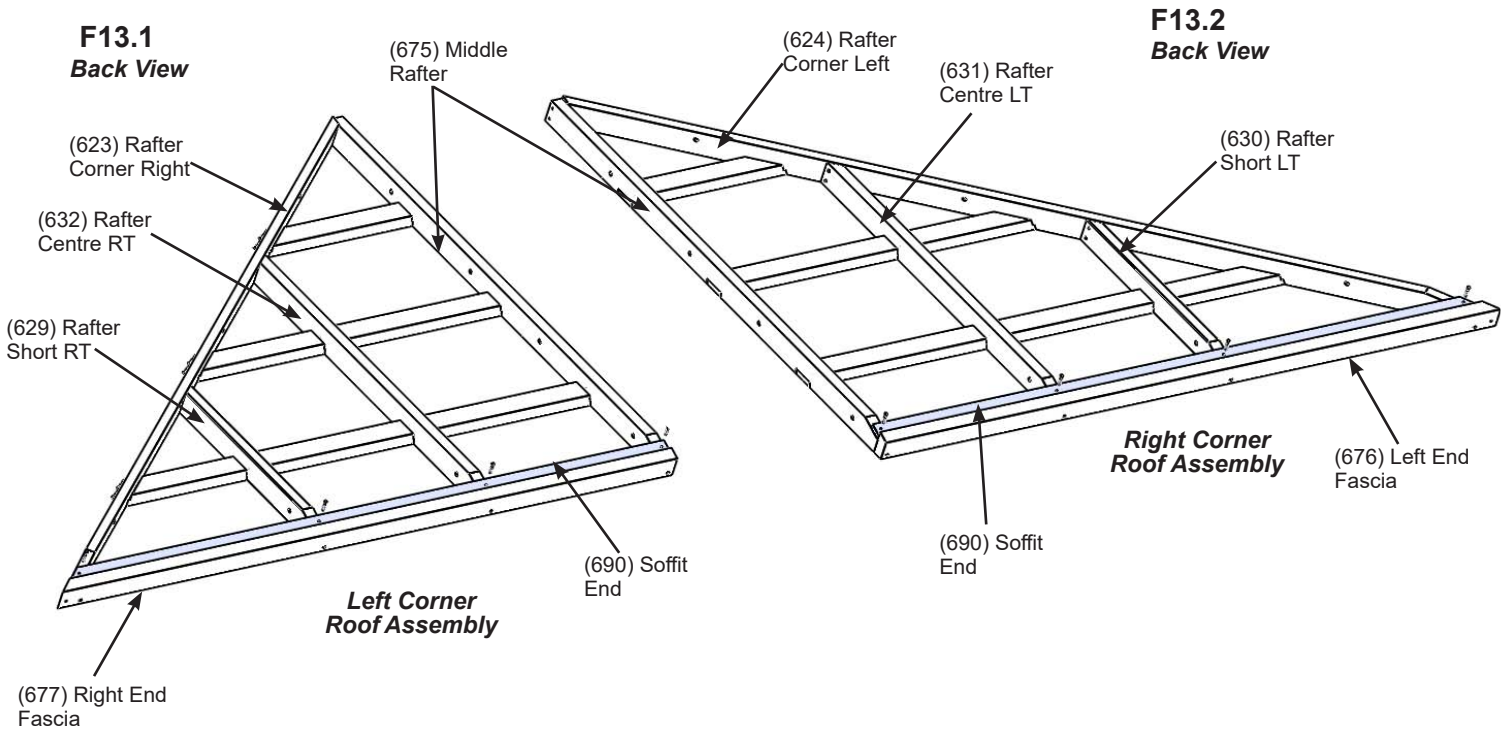


Hardware

40 x #8 x 1-1/2" Wood Screw

Step 13: Attach Soffits - Corner Roof Assemblies

A: Turn over each Corner Roof Assembly then place one (690) Soffit End tight to the top of each (676) Left End Fascia and each (677) Right End Fascia. Each (690) Soffit End must be flush with the outside edge of (675) Middle Rafter. Attach (690) Soffit Ends to each (675) Middle Rafter, (623) Rafter Corner Right, (624) Rafter Corner Left, (629) Rafter Short RT, (630) Rafter Short LT, (632) Rafter Centre RT and (631) Rafter Centre LT with four #8 x 1" Pan Screws per soffit. (F13.1, F13.2 and F13.3)



Wood Parts

4 x (690) Soffit End

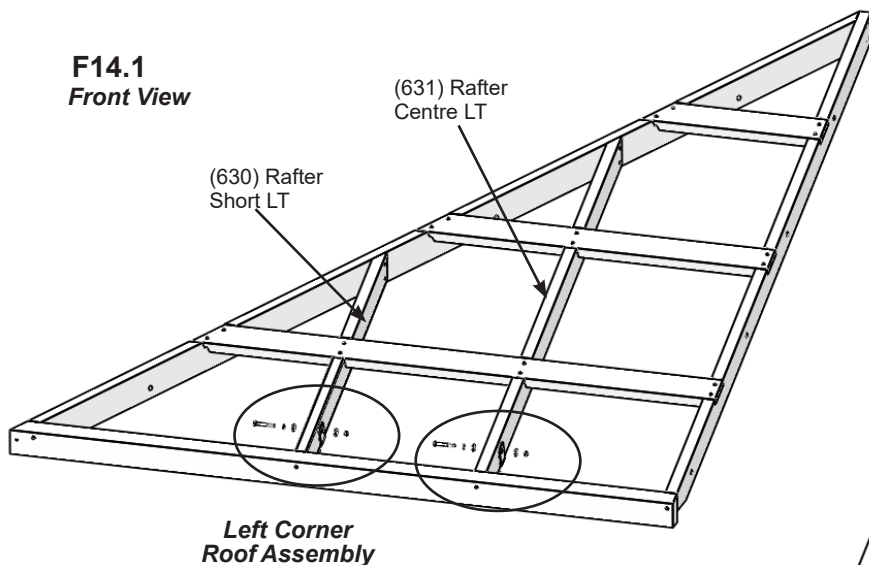
Hardware

16 x #8 x 1" Pan Screw

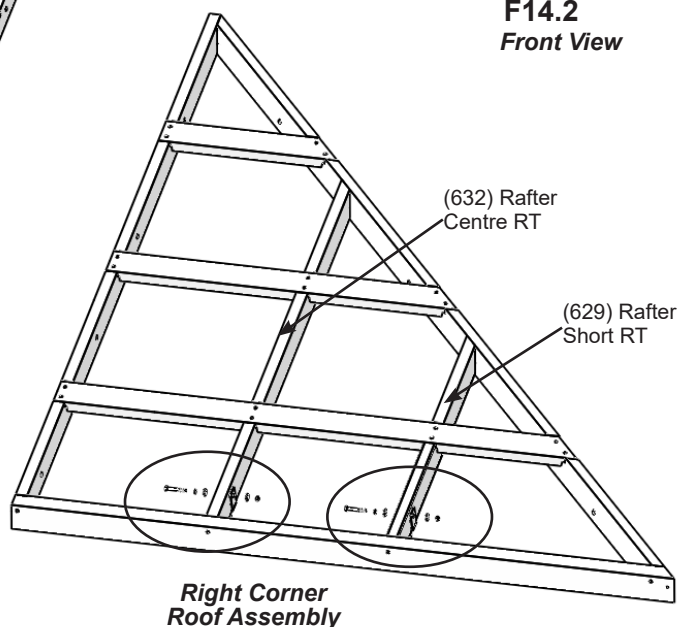
Step 14: Attach Roof to Beam Brackets - Corner Roof Assemblies

A: Turn the assemblies back over then on the back of each Corner Roof Assembly, through the bolt hole at the bottom of the board, loosely attach one Roof to Beam Bracket to (629) Rafter Short RT, (632) Rafter Centre RT, (630) Rafter Short LT and (631) Rafter Centre LT with one 1/4 x 2" Hex Bolt (with two 1/4-5/16" large washers and one 1/4" lock nut) per bracket. (F14.1, F14.2, F14.3 and F14.4)

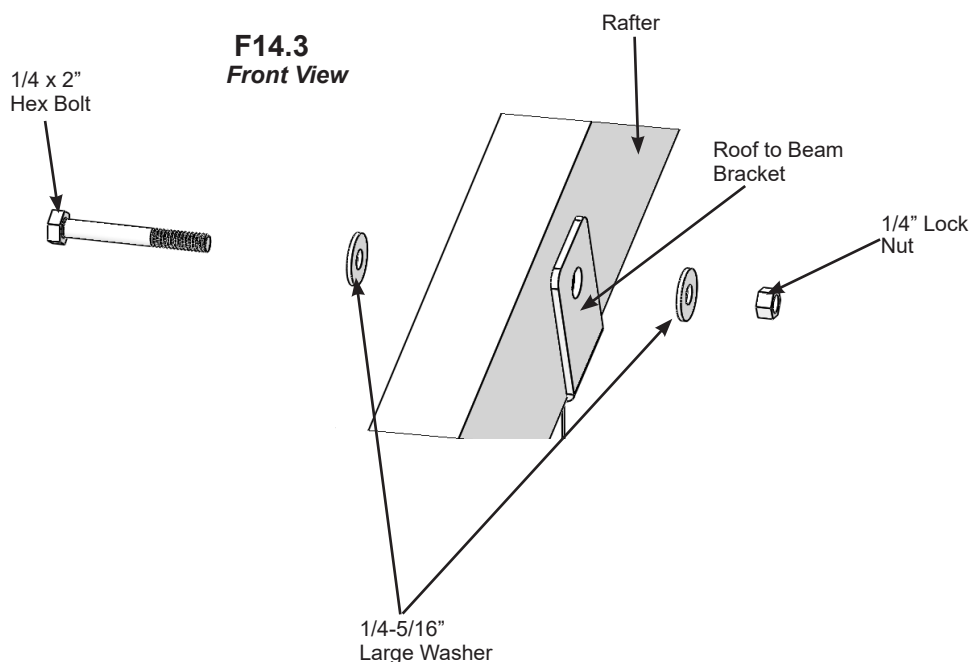
F14.1
Front View



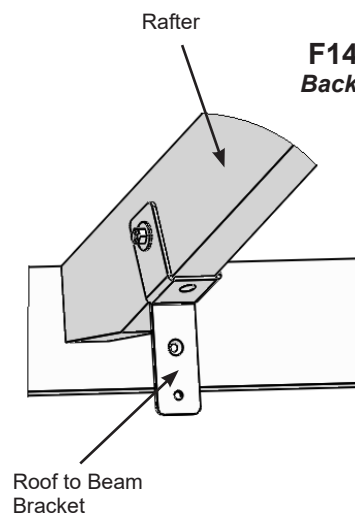
F14.2
Front View



F14.3
Front View



F14.4
Back View



Components

8 x Roof to Beam Bracket

Hardware

8 x 1/4 x 2" Hex Bolt
(1/4-5/16" large washer x 2, 1/4" lock nut)

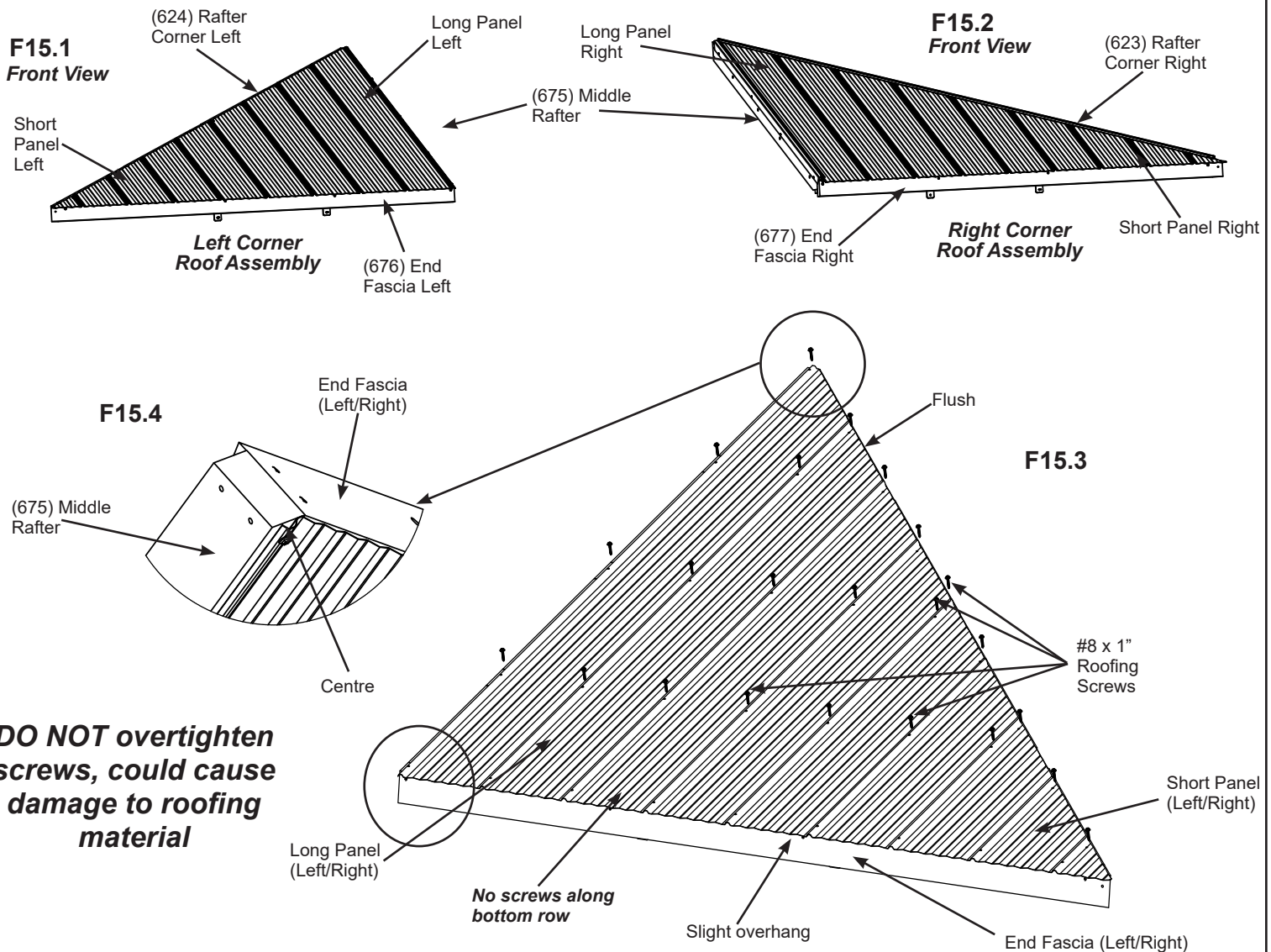
Step 15: Attach Roof Panels - Corner Roof Assemblies

IMPORTANT!: Before starting this step, be sure to refer back to pages 35 & 36 regarding correct installation and handling of the roofing.

A: On the front of each Left Corner Roof Assembly place one Long Panel Left and one Short Panel Left so they are flush to the side of (624) Rafter Corner Left and the rib of Long Panel Left is centre on (675) Middle Rafter. There will be a slight overhang at the bottom of the (676) End Fascia Left. Short Panel Left should overlap Long Panel Left. There should be no overhang at the corners. (F15.1, F15.3 and F15.4)

B: On the front of each Right Corner Roof Assembly place one Long Panel Right and one Short Panel Right so they are flush to the sides of (623) Rafter Corner Right and the rib of Long Panel Right is centre on (675) Middle Rafter. There will be a slight overhang at the bottom of the (677) End Fascia Right. Short Panel Right should overlap Long Panel Right. There should be no overhang at the corners. (F15.2, F15.3 and F15.4)

C: Attach Long and Short Panels to each Corner Roof Assembly with 24 #8 x 1" Roofing Screws in locations shown in F15.3. Do not place any screws along the bottom row. Be sure not to overtighten screws.



DO NOT overtighten screws, could cause damage to roofing material

Roof Parts

- 2 x Long Panel Left
- 2 x Long Panel Right
- 2 x Short Panel Left
- 2 x Short Panel Right

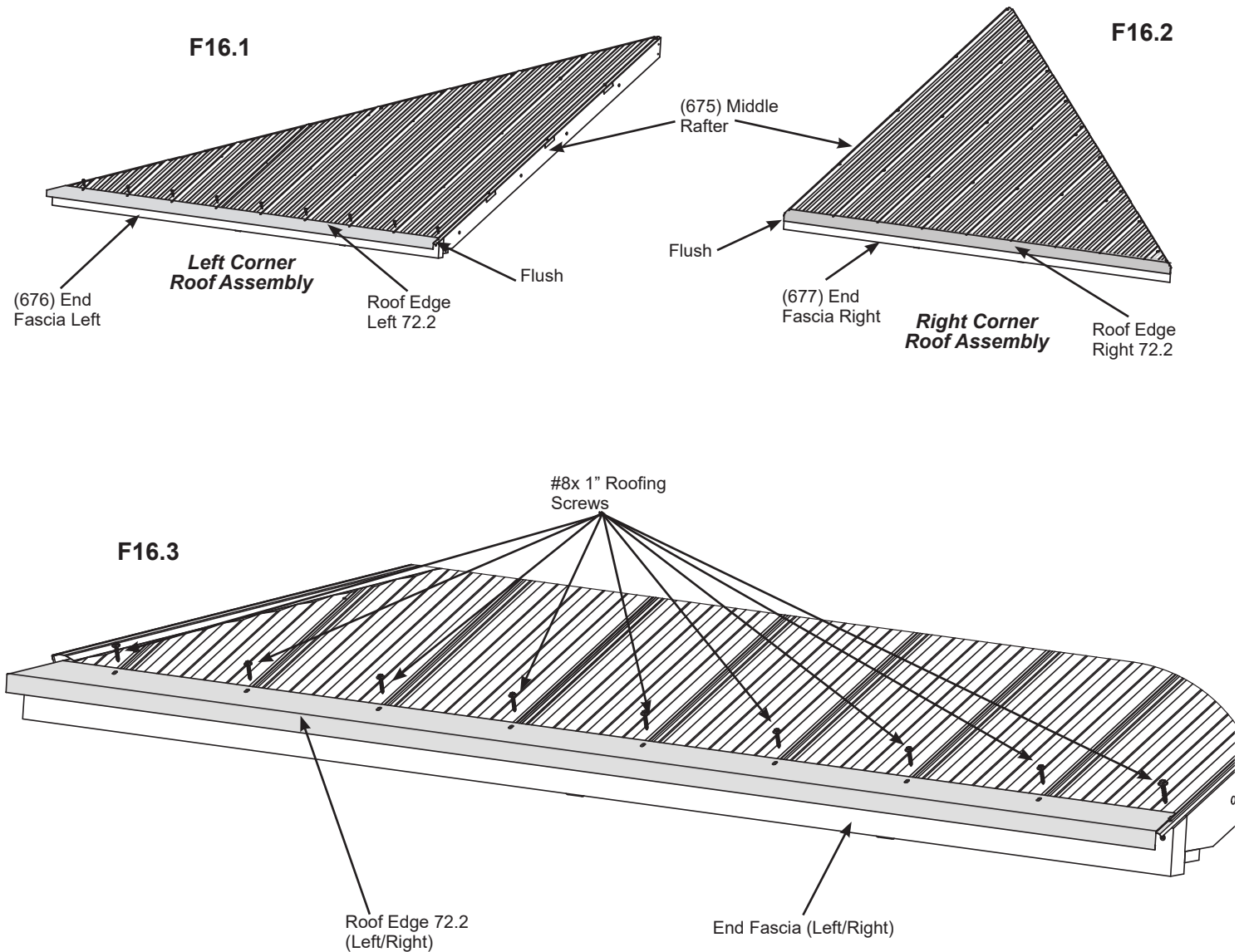
Hardware

- 96 x #8 x 1" Roofing Screw

Step 16: Attach Roof Edges - Corner Roof Assemblies

A: On the bottom of each Left Corner Roof Assembly place one Roof Edge Left 72.2 so the holes in the Roof Edge Left line up with the holes in the panels then attach Roof Edges with nine #8 x 1" Roofing Screws per Left Corner Roof Assembly. (F16.1 and F16.3)

B: On the bottom of each Right Corner Roof Assembly place one Roof Edge Right 72.2 so the holes in the Roof Edge Right line up with the holes in the panels then attach Roof Edges with nine #8 x 1" Roofing Screws per Right Corner Roof Assembly. (F16.2 and F16.3)



Components

2 x Roof Edge Left 72.2
2 x Roof Edge Right 72.2

Hardware

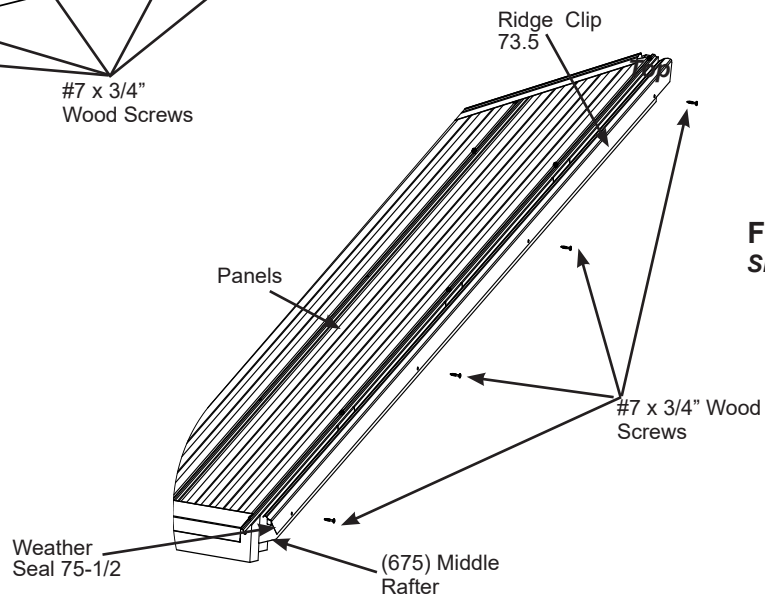
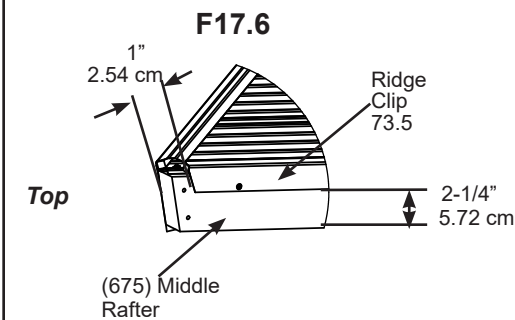
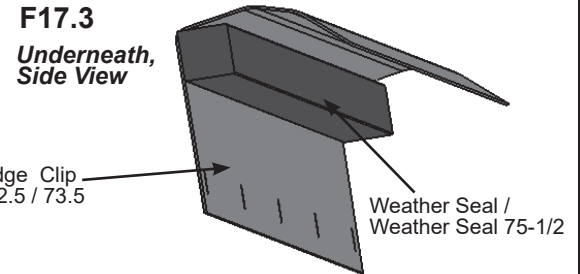
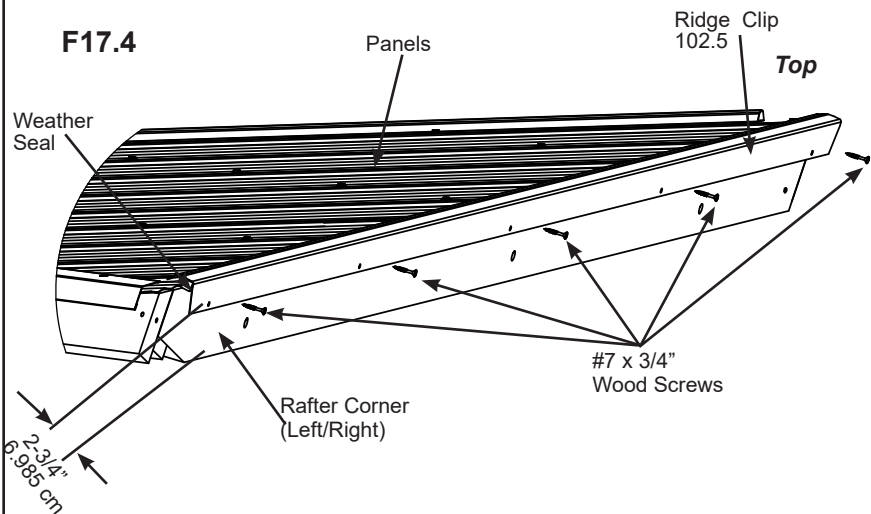
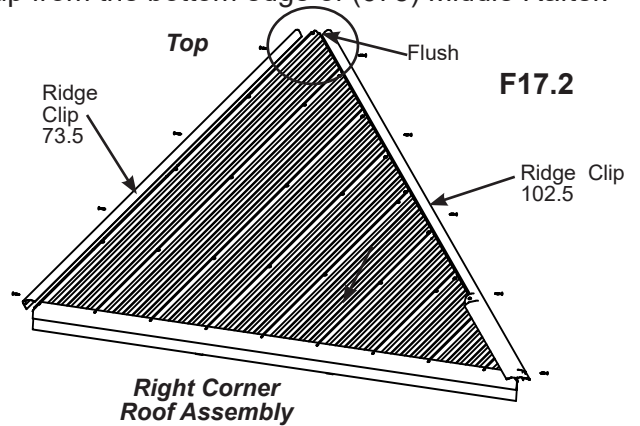
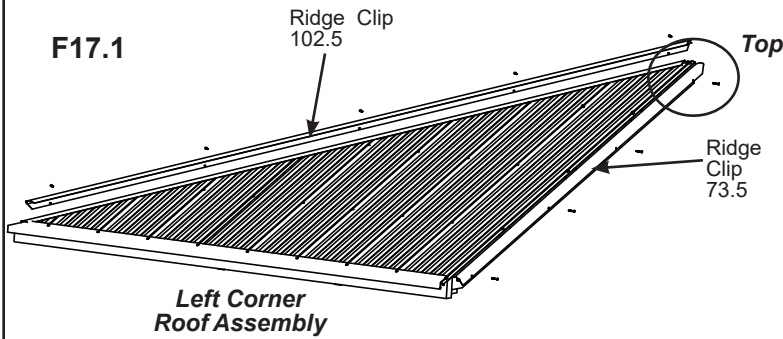
36 x #8 x 1" Roofing Screw

Step 17: Attach Ridge Clips - Corner Roof Assemblies



A: Place one Weather Seal on the inside of four Ridge Clip 102.5 then place one Ridge Clip 102.5 on each (623) Rafter Corner Right and each (624) Rafter Corner Left so they cover the panels and are flush to the top, then attach with five #7 x 3/4" Wood Screws per Ridge Clip 102.5. Bottom edge of Ridge Clip 102.5 should be 2-3/4" (6.985 cm) up from the bottom edge of Rafter Corners Left and Right. (F17.1, F17.2, F17.3 and F17.4)

B: Place one Weather Seal 75-1/2 on the inside of four Ridge Clip 73.5 then place one Ridge Clip 73.5 on each (675) Middle Rafter on both Left and Right Corner Roof Assemblies so they cover the panels and attach with four #7 x 3/4" Wood Screws per Ridge Clip 73.5. The top of each Ridge Clip 73.5 should be 1" (2.54 cm) from the tip of (675) Rafter Middle and bottom edge should be 2-1/4" (5.72 cm) up from the bottom edge of (675) Middle Rafter. (F17.1, F17.2, F17.3, F17.5 and F17.6)



Components

- 4 x Ridge Clip 102.5
- 4 x Ridge Clip 73.5
- 4 x Weather Seal
- 4 x Weather Seal 75-1/2

Hardware

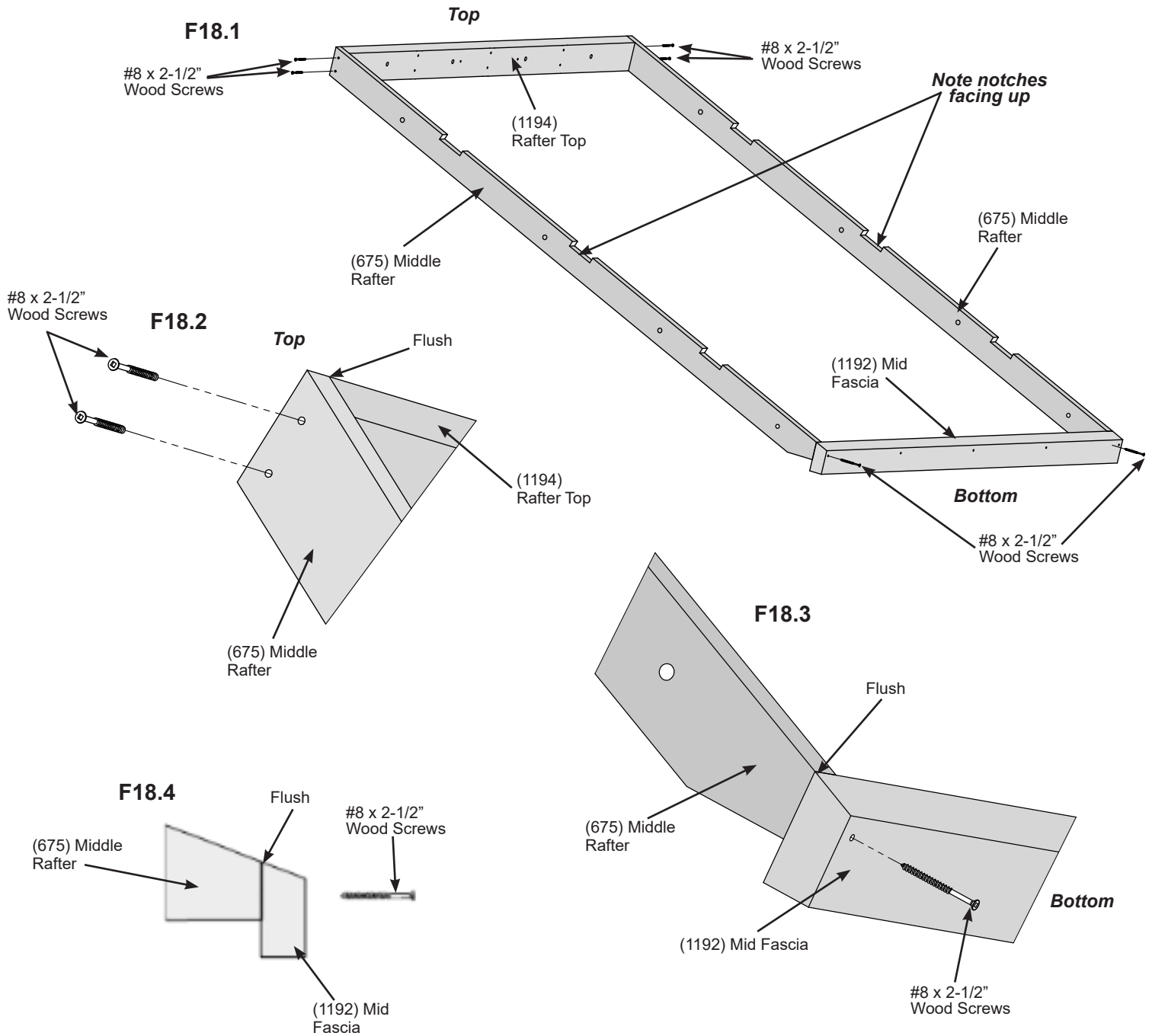
- 36 x #7 x 3/4" Wood Screw

Step 18: Large Roof Assembly Part 1

A: On each side of one (1194) Rafter Top place one (675) Middle Rafter so the tops and edges are flush then attach with two #8 x 2-1/2" Wood Screws per side. (F18.1 and F18.2)

B: Place one (1192) Mid Fascia on the bottom of each (675) Middle Rafter so the sides and top are flush then attach with one #8 x 2-1/2" Wood Screw at each end. (F18.1, F18.3 and F18.4)

C: Repeat Steps A and B to make three more Large Roof Assemblies.



Wood Parts

- 8 x (675) Middle Rafter
- 4 x (1192) Mid Fascia
- 4 x (1194) Rafter Top

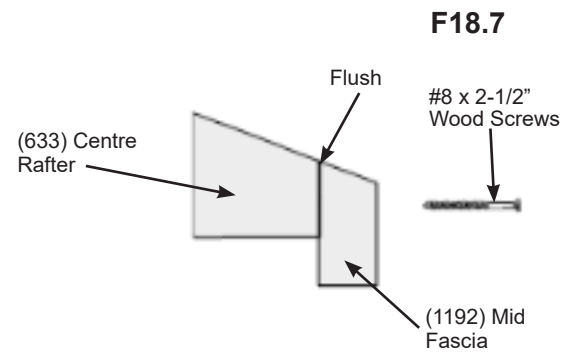
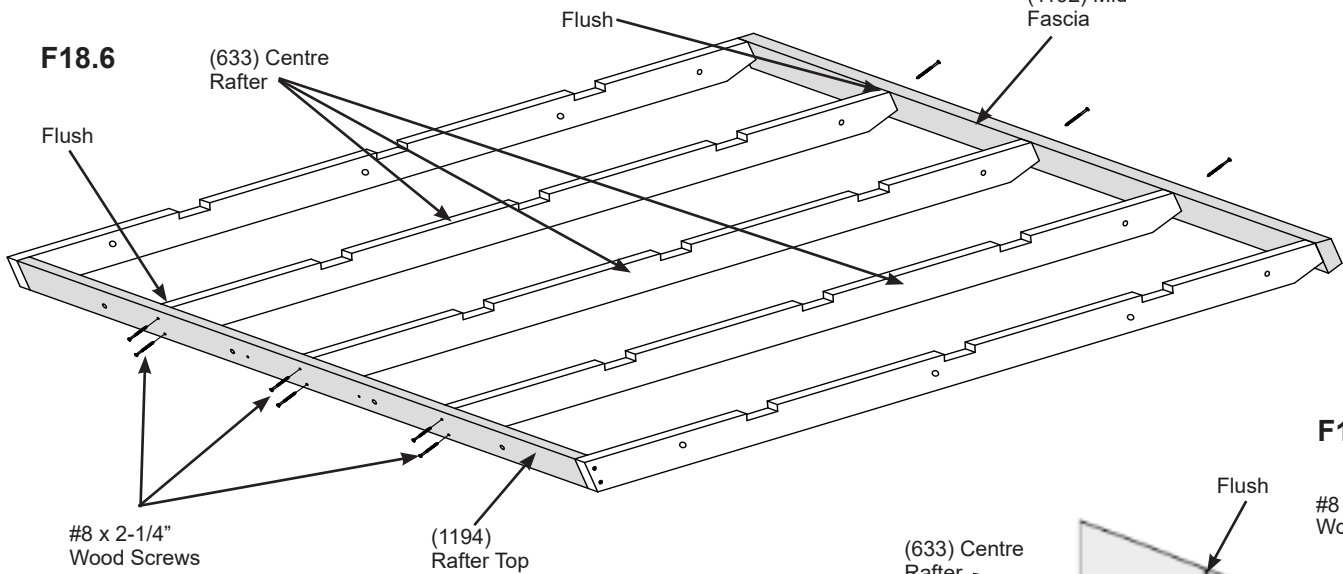
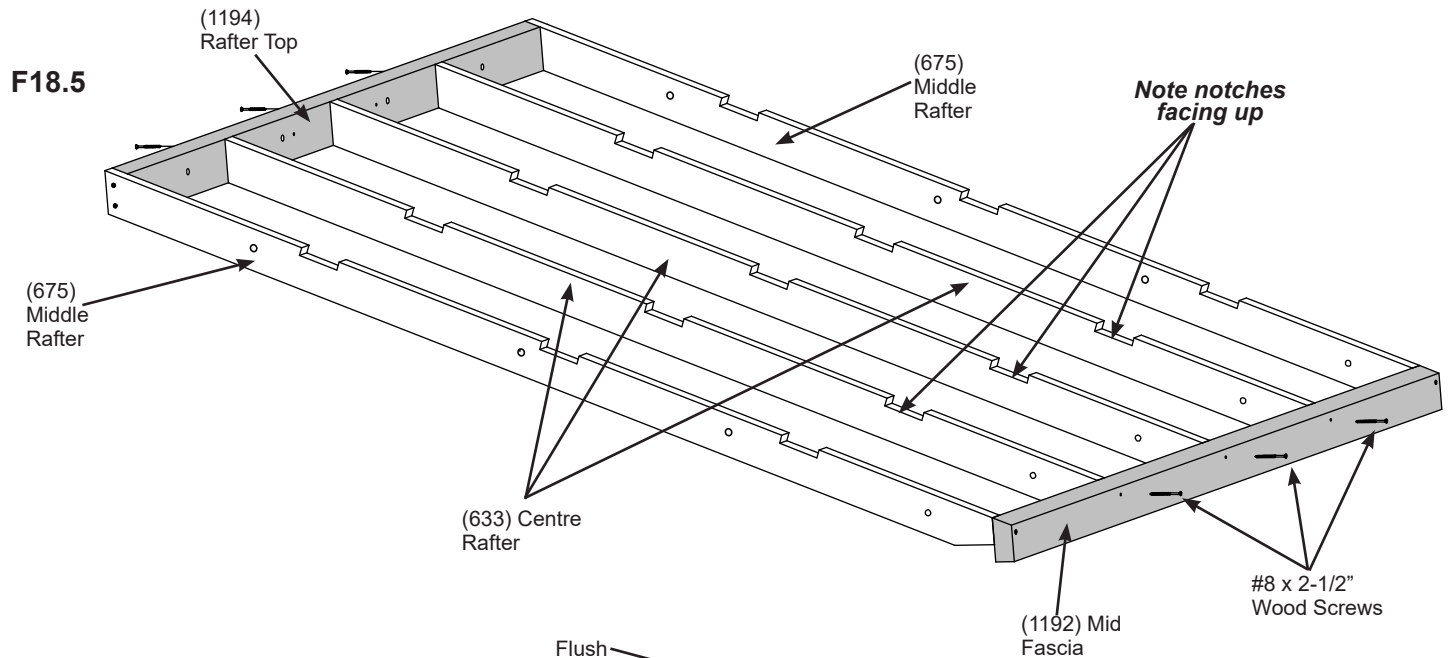
Hardware

- 24 x #8 x 2-1/2" Wood Screw

Step 18: Large Roof Assembly Part 2



D: Place three (633) Centre Rafters over the pilot holes in (1192) Mid Fascia and (1194) Rafter Top so they are flush to the top of each board, as shown in F18.5. Make sure (633) Centre Rafters are square to (1192) Mid Fascia and (1194) Rafter Top then attach (1194) Rafter Top to rafters with two #8 x 2-1/4" Wood Screws per rafter and (1192) Mid Fascia to rafters with one #8 x 2-1/2" Wood Screw per rafter. Repeat for each Large Roof Assembly. (F18.5, F18.6 and F18.7)



Wood Parts

12 x (633) Centre Rafter

Hardware

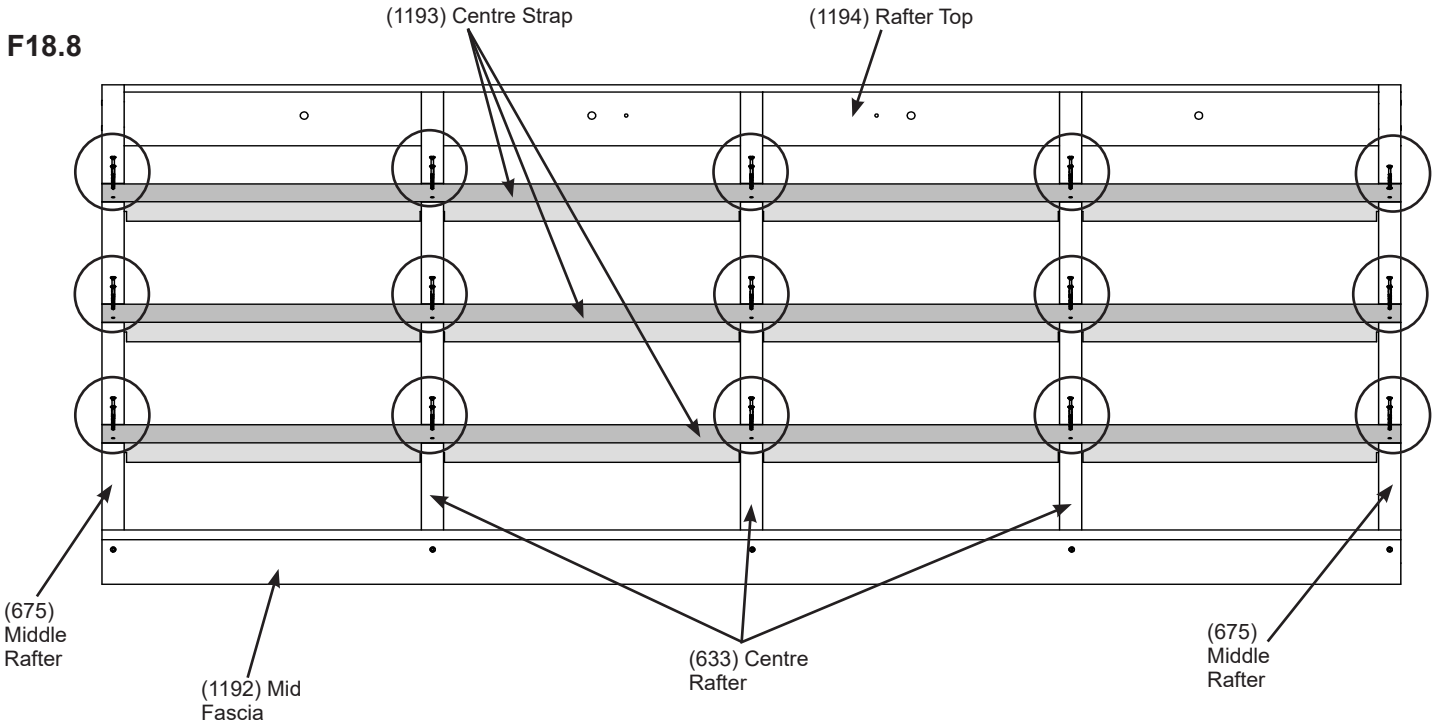
24 x #8 x 2-1/4" Wood Screw

12 x #8 x 2-1/2" Wood Screw

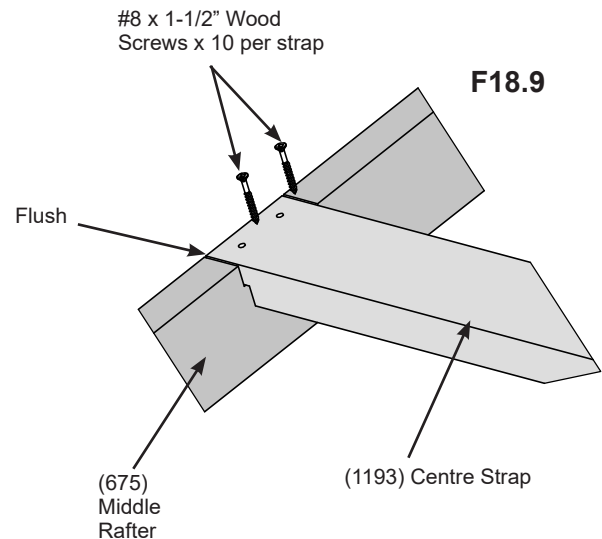
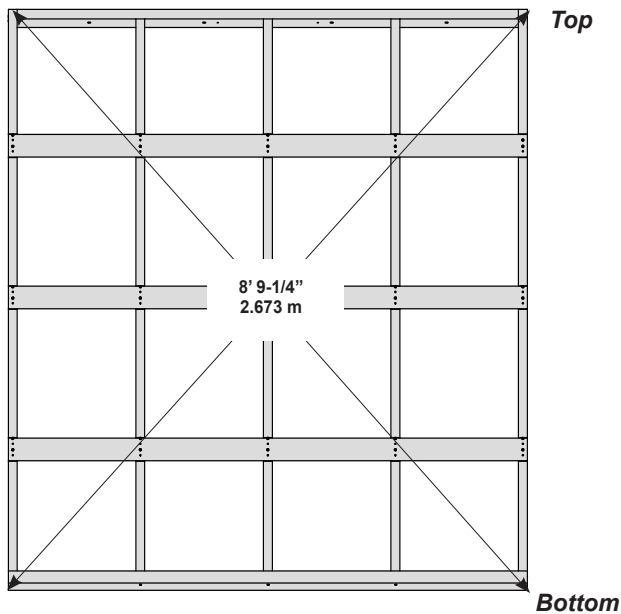
Step 18: Large Roof Assembly Part 3



E: Place three (1193) Centre Straps in the notches of each (675) Middle Rafter and each (633) Centre Rafter so the ends are flush to the outside edges of (675) Middle Rafters. Make sure assembly is square then attach with 10 #8 x 1-1/2" Wood Screws per strap. Repeat for each Large Roof Assembly. (F18.8, F18.9 and F18.10)



F18.10
Front View



Wood Parts

12 x (1193) Centre Strap

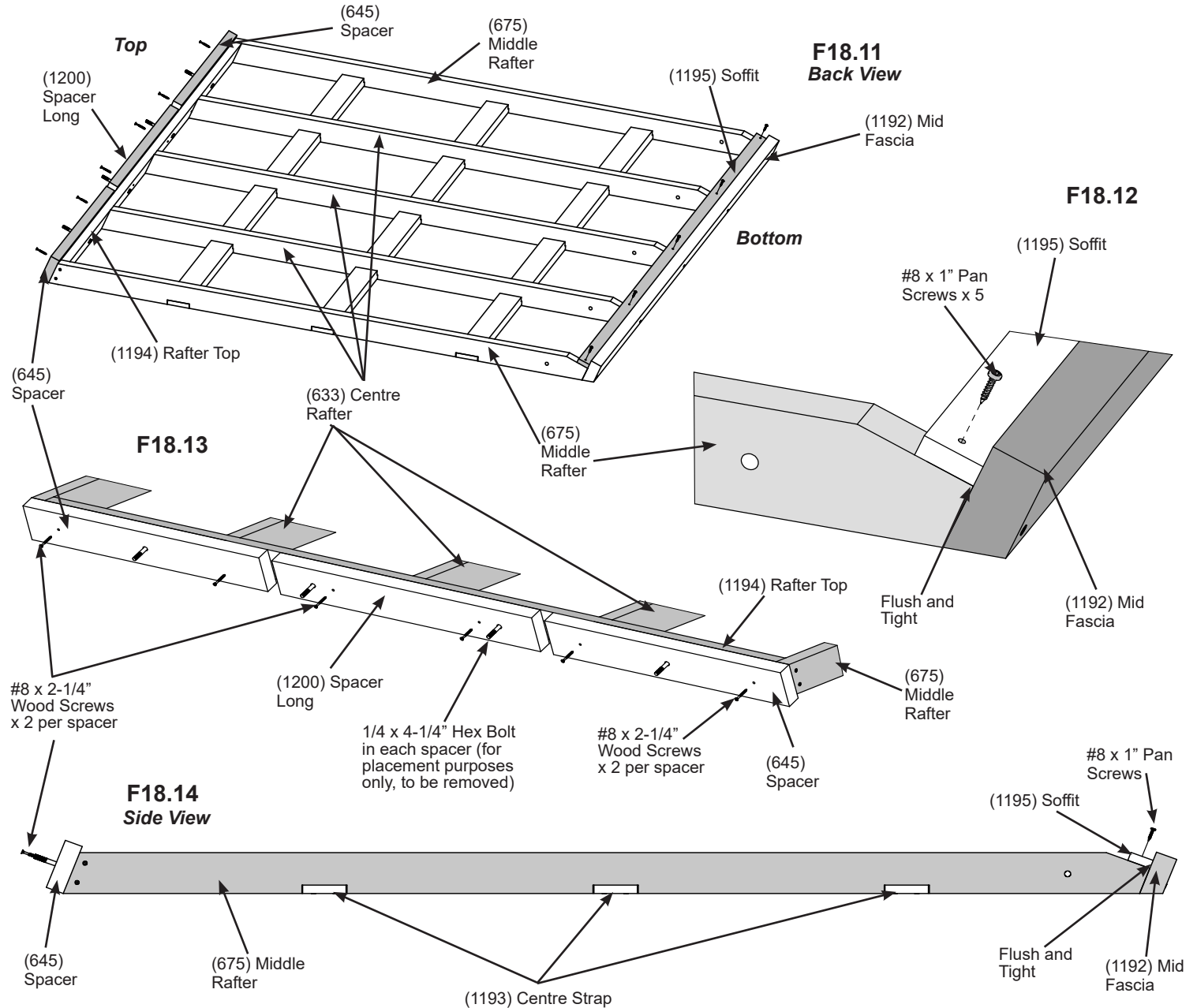
Hardware

120 x #8 x 1-1/2" Wood Screw

Step 18: Large Roof Assembly Part 4

F: Turn over each Large Roof Assembly then place one (1195) Soffit tight to the top of (1192) Mid Fascia. (1195) Soffit must be flush with the outside edge of (675) Middle Rafter. Attach (1195) Soffit to each (675) Middle Rafter and each (633) Centre Rafter with five #8 x 1" Pan Screws. Install (1195) Soffit on each Large Roof Assembly. (F18.11, F18.12 and F18.14)

G: On only two Large Roof Assemblies place one (645) Spacer at each end of (1194) Rafter Top and one (1200) Spacer Long evenly spaced between the (645) Spacers. To find the correct placement of each spacer insert one 1/4 x 4-1/4" Hex Bolt through (1194) Rafter Top into each (645) Spacer and (1200) Spacer Long. The bolts are for placement only, they are to be removed at the end of this step. Attach each spacer to (1194) Roof Top with two #8 x 2-1/4" Wood Screws per spacer. Remove bolts, to be used in Step 24. (F18.11, F18.13 and F18.14)



Wood Parts

- 4 x (1195) Soffit
- 4 x (645) Spacer
- 2 x (1200) Spacer Long

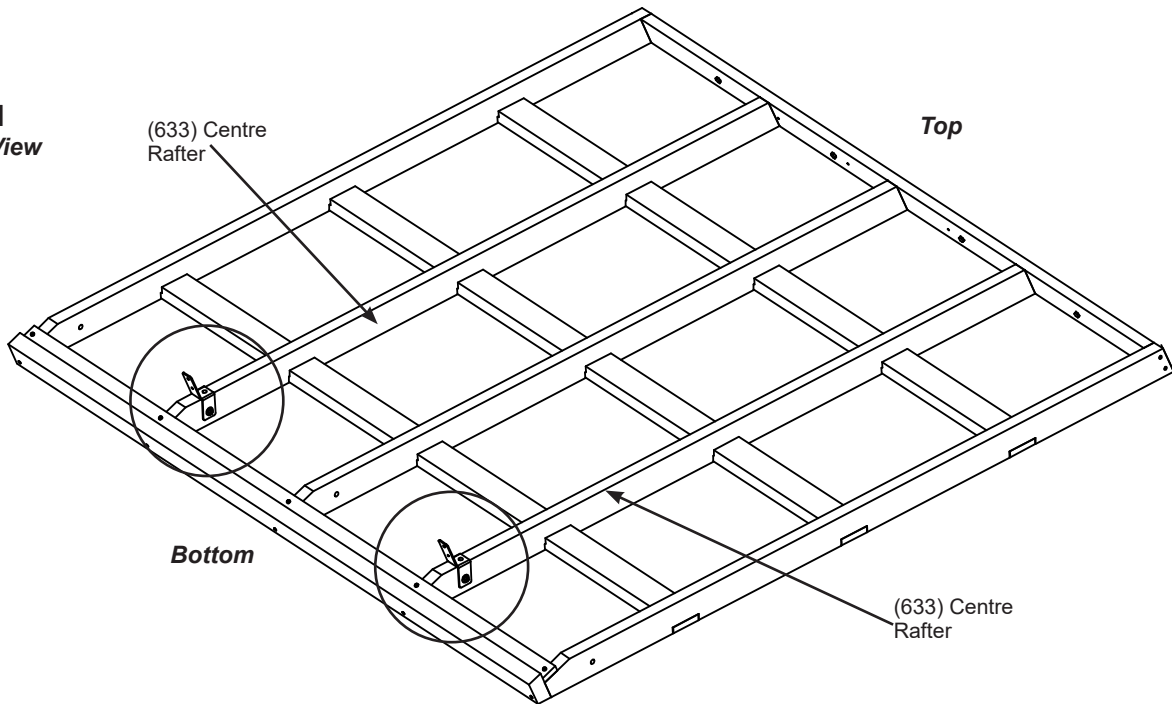
Hardware

- 20 x #8 x 1" Pan Screw
- 12 x #8 x 2-1/4" Wood Screw
- 4 x 1/4 x 4-1/4" Hex Bolt (for placement purposes only)

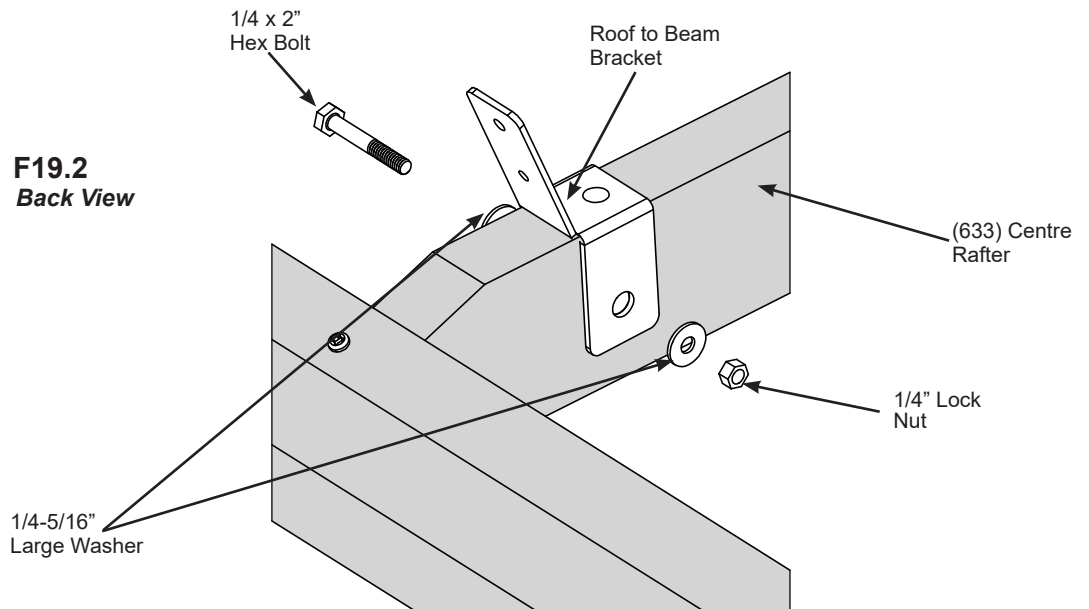
Step 19: Attach Roof to Beam Brackets - Large Roof Assemblies

A: On the back of each Large Roof Assembly, through the bolt hole at the bottom of the board, loosely attach one Roof to Beam Bracket to the two outside (633) Centre Rafters with one 1/4 x 2" Hex Bolt (with two 1/4-5/16" large washers and one 1/4" lock nut) per bracket. (F19.1 and F19.2)

F19.1
Back View



F19.2
Back View



Components

8 x Roof to Beam Bracket

Hardware

8 x 1/4 x 2" Hex Bolt
(1/4-5/16" large washer x 2, 1/4" lock nut)

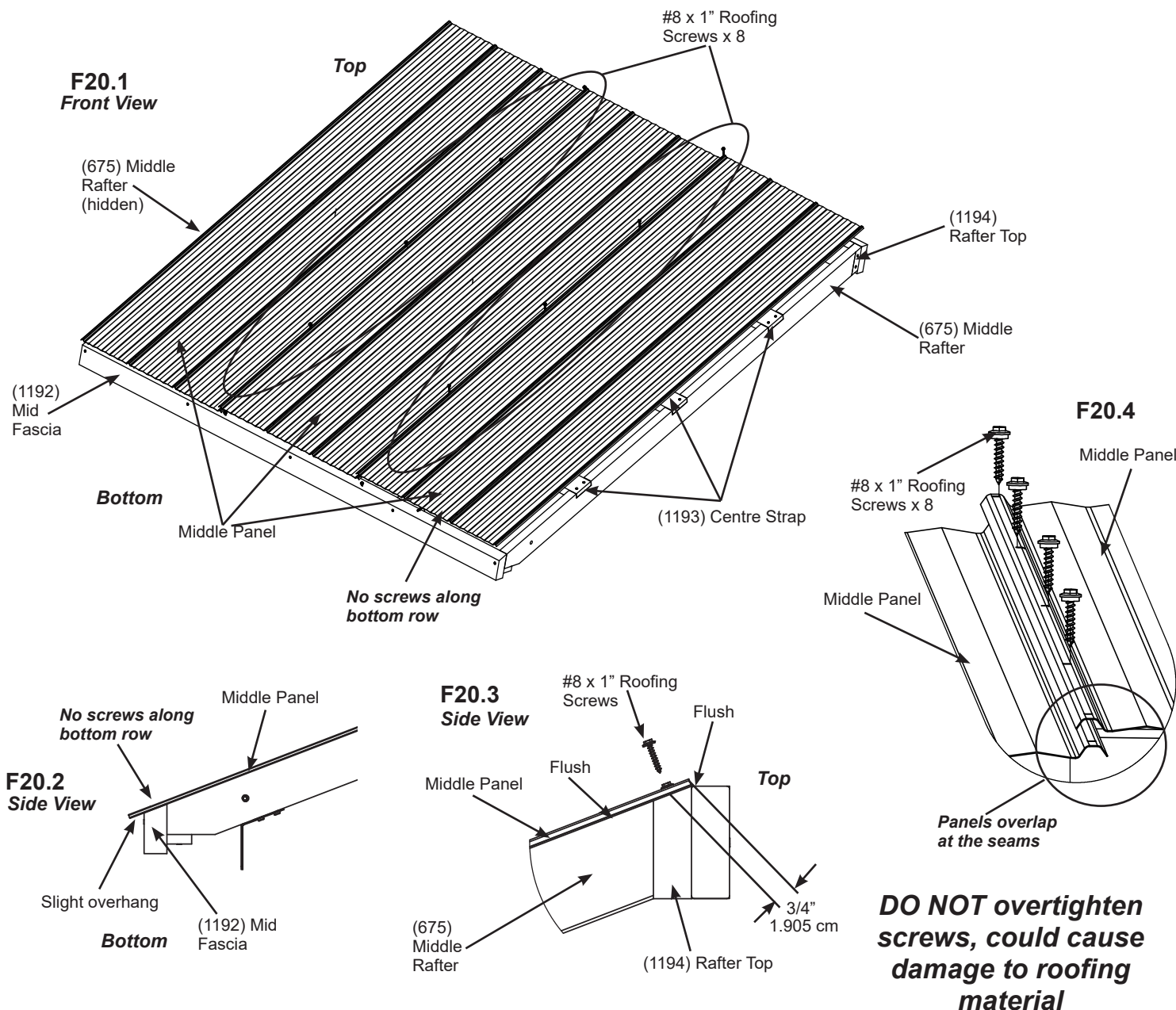
Step 20: Attach Roof Panels - Large Roof Assemblies Part 1



IMPORTANT! Before starting this step, be sure to refer back to pages 35 & 36 regarding correct installation and handling of the roofing.

A: Turn over Large Roof Assemblies, make sure they are still square. Place three Middle Panels flush to the top and sides of (1194) Rafter Top and (675) Middle Rafter. There will be an overhang at the bottom over (1192) Mid Fascia. The panels overlap and screw holes line up as shown in F20.4. Attach each panel, where they overlap, to each (1193) Centre Strap and to each (675) Middle Rafter with eight #8 x 1" Roofing Screws. Do not install screws along the bottom row. (F20.1, F20.2, F20.3 and F20.4)

Note: The holes at the top of each Middle Panel are 3/4" (1.905 cm) from the top. (F20.3)



Roof Parts

12 x Middle Panel

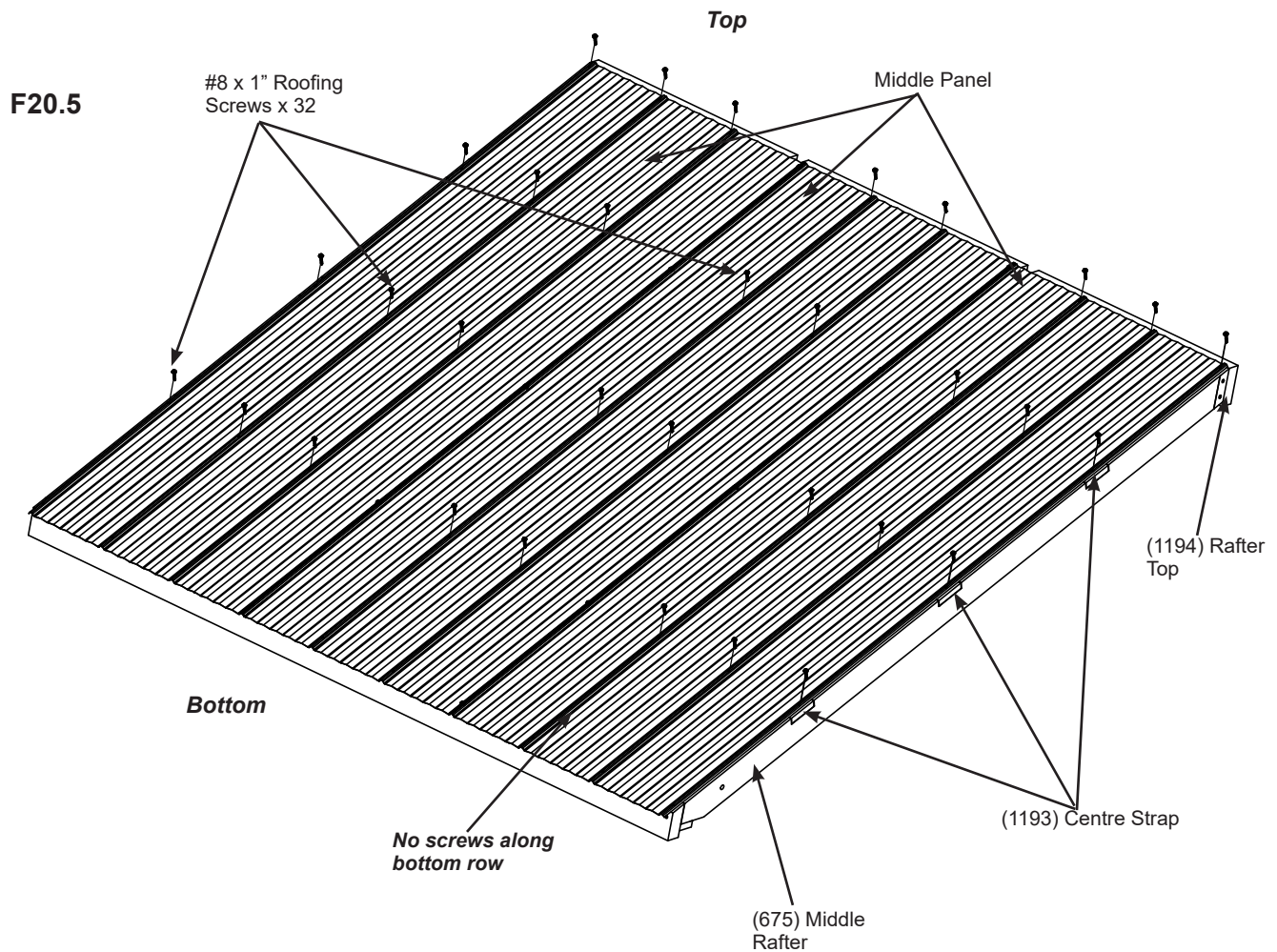
Hardware

32 x #8 x 1" Roofing Screw

Step 20: Attach Roof Panels - Large Roof Assemblies Part 2

B: Attach panels to (675) Middle Rafter, (1194) Rafter Top and each (1193) Centre Strap in the remaining holes with 32 #8 x 1" Roofing Screws as shown in F20.5. Do not install screws along the bottom row.

C: Repeat Steps A and B for each Large Roof Assembly.



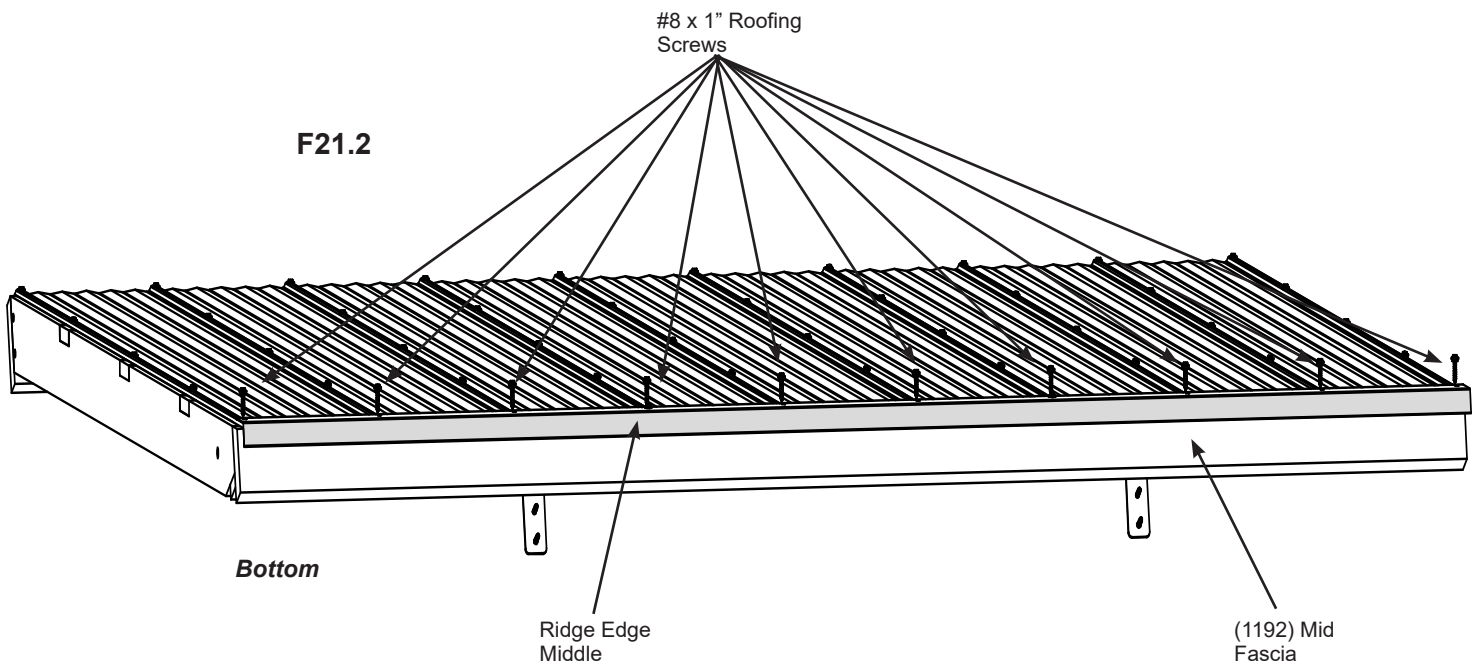
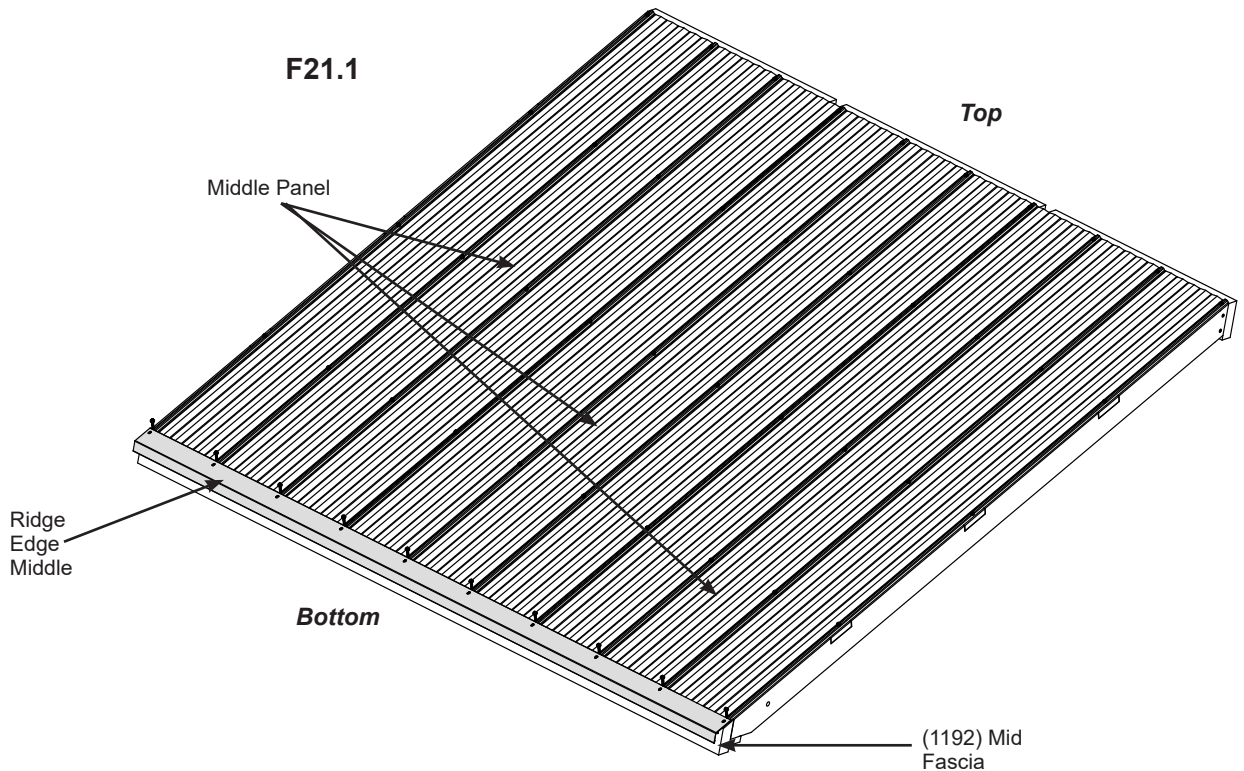
DO NOT overtighten
screws, could cause
damage to roofing
material

Hardware

128 x #8 x 1" Roofing Screw

Step 21: Attach Roof Edges - Large Roof Assemblies

A: On the bottom of each Large Roof Assembly place one Ridge Edge Middle so the holes line up with the holes in the Middle Panels then attach with 10 #8 x 1" Roofing Screws per Large Roof Assembly. (F21.1 and F21.2)



Components

4 x Ridge Edge Middle

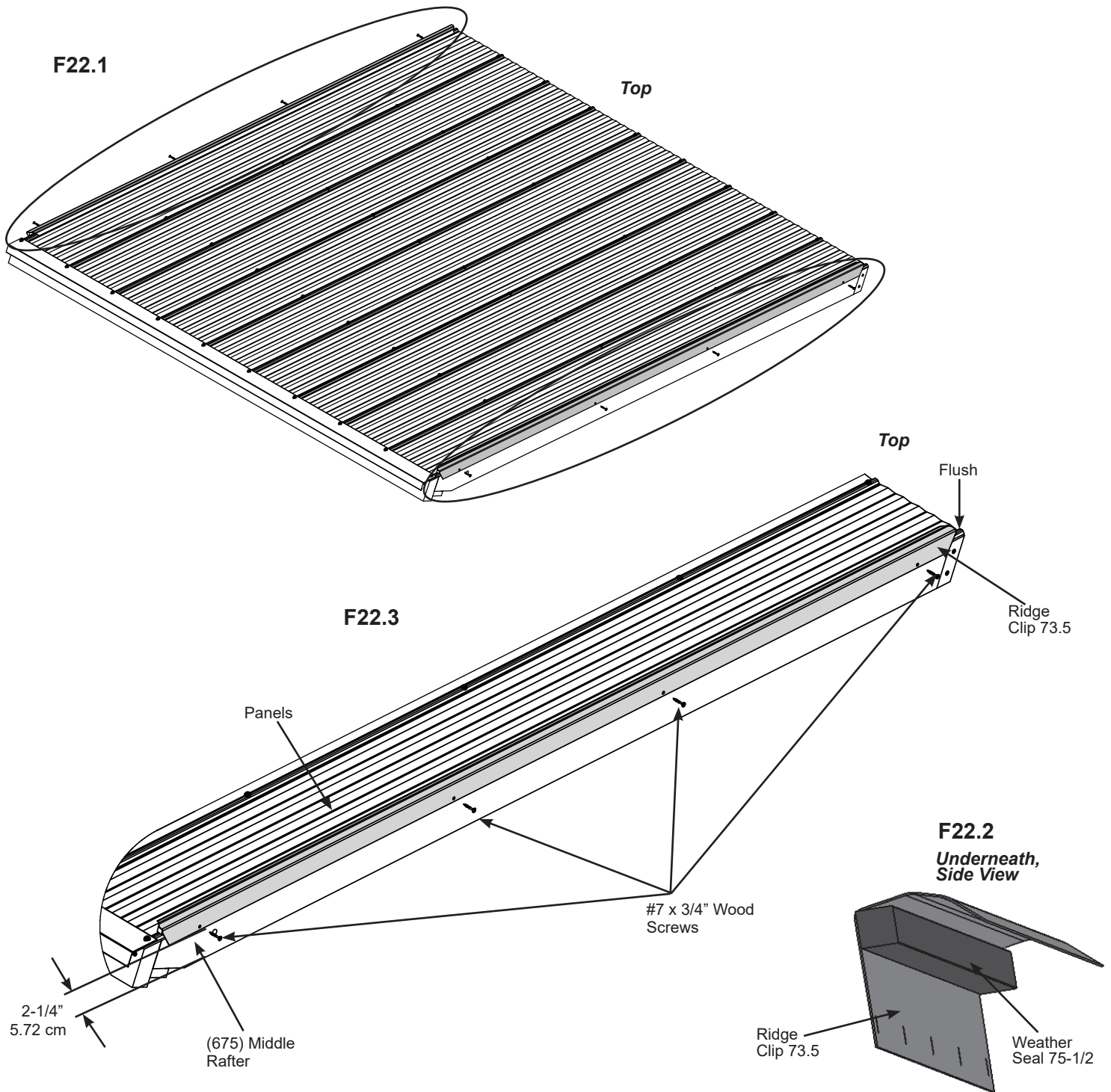
Hardware

40 x #8 x 1" Roofing Screw

Step 22: Attach Ridge Clips - Large Roof Assemblies



A: Place one Weather Seal 75-1/2 on the inside of eight Ridge Clip 73.5 then place one Ridge Clip 73.5 on each (675) Middle Rafter on each Large Roof Assembly so they cover the panels and are flush to the tops. The bottom edge of each Ridge Clip 73.5 should be 2-1/4" (5.72 cm) up from the bottom edge of (675) Middle Rafter. Attach with four #7 x 3/4" Wood Screws per Ridge Clip 73.5. (F22.1, F22.2 and F22.3)



Components

8 x Ridge Clip 73.5
8 x Weather Seal 75-1/2

Hardware

32 x #7 x 3/4" Wood Screw

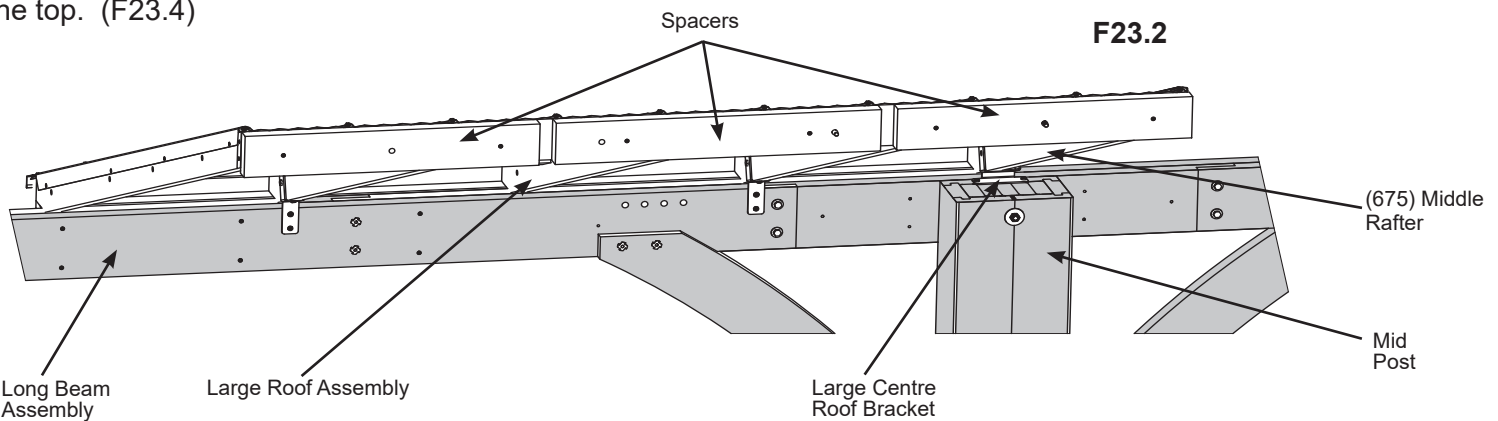
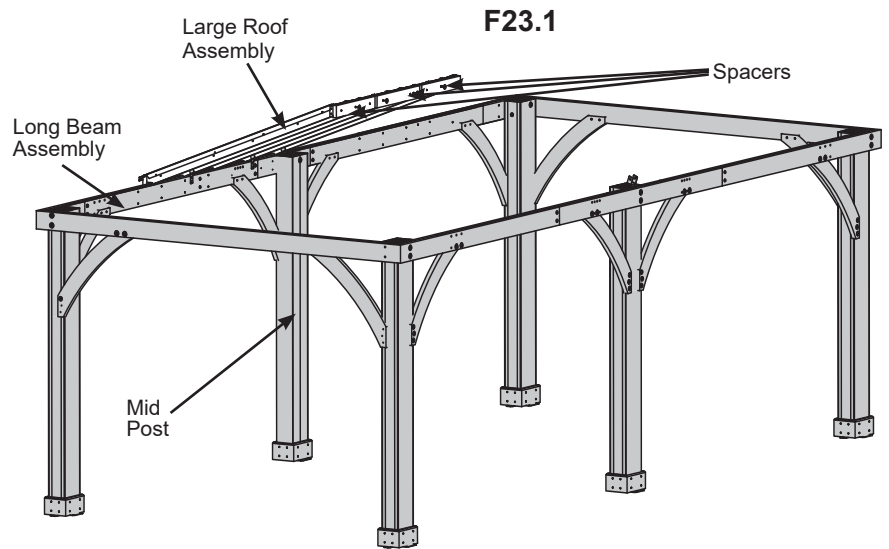
Step 23: Attach Large Roof Assemblies to Frame Part 1



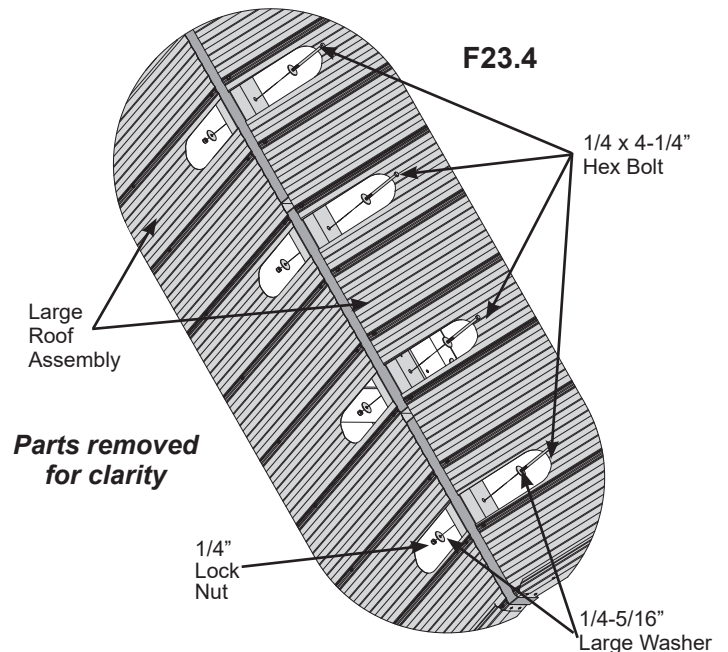
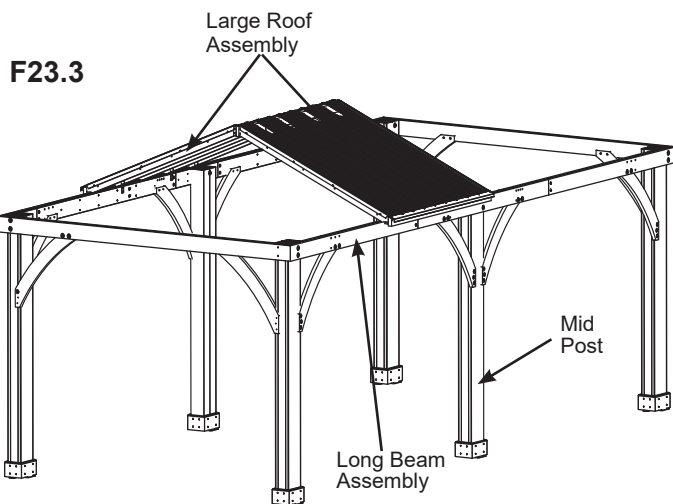
A: With all four assemblers lift one Large Roof Assembly with Spacers up so it sits on the Long Beam Assembly and one (675) Middle Rafter sits in Large Centre Roof Bracket on Mid Post. (F23.1 and F23.2)

B: With an assembler holding the first Large Roof Assembly in place lift a second Large Roof Assembly (without Spacers) on the opposite Long Beam Assembly. One (675) Mid Rafter sits in Large Centre Roof Bracket on Mid Post. (F23.2 and F23.3)

C: Attach Large Roof Assemblies together with four 1/4 x 4-1/4" Hex Bolts (with two 1/4-5/16" large washers and one 1/4" lock nut) at the top. (F23.4)



One assembler to support roof panel(s) at all times until secure



Hardware

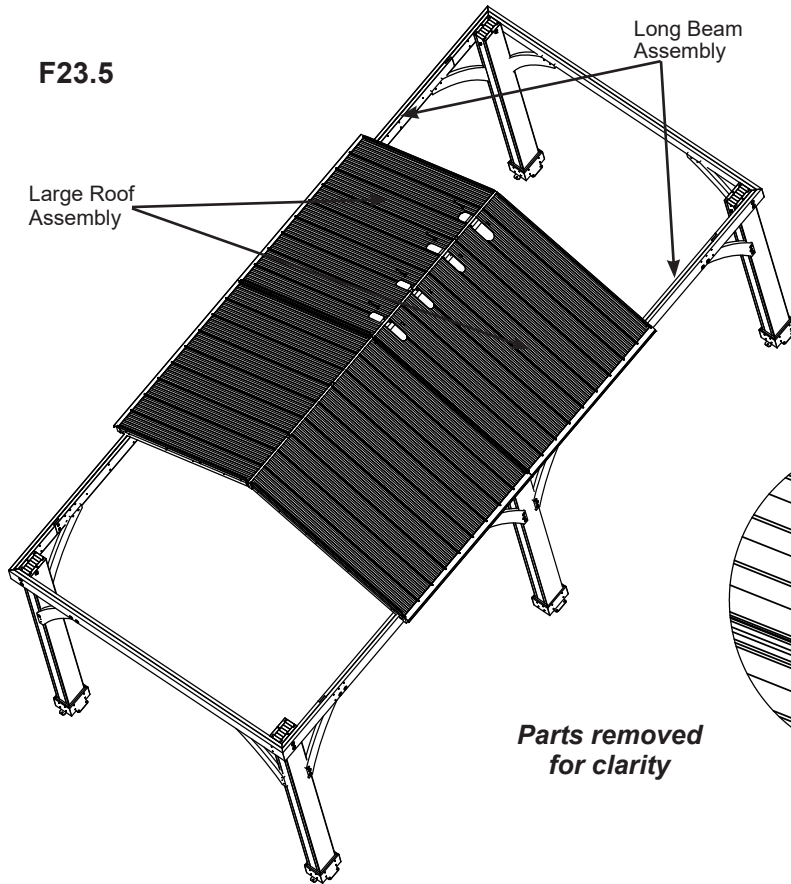
4 x 1/4 x 4-1/4" Hex Bolt
(1/4-5/16" large washer x 2, 1/4" lock nut)

Step 23: Attach Large Roof Assemblies to Frame Part 2

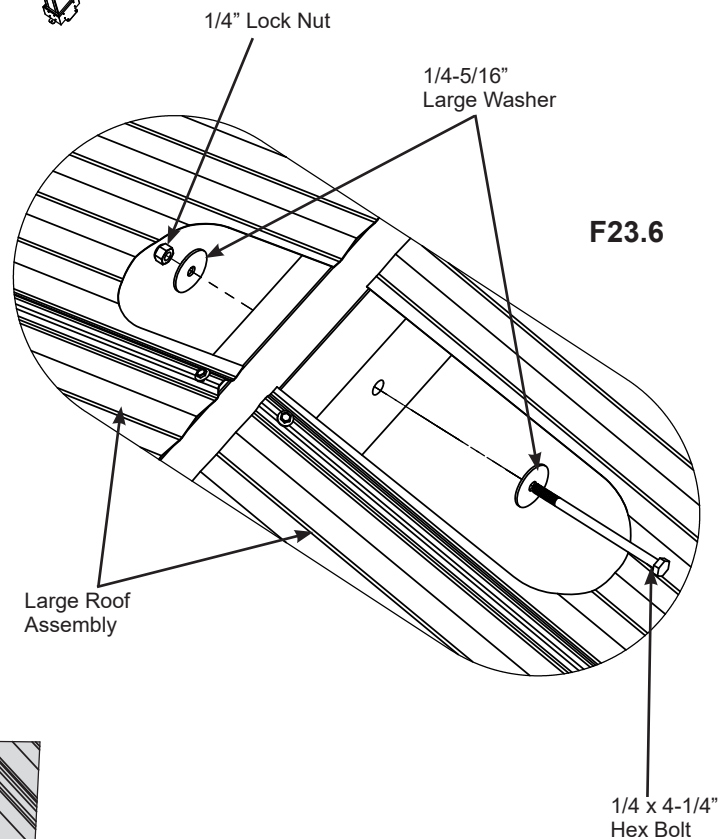


D: Repeat Steps A - C for the remaining two Large Roof Assemblies. (F23.5 and F23.6)

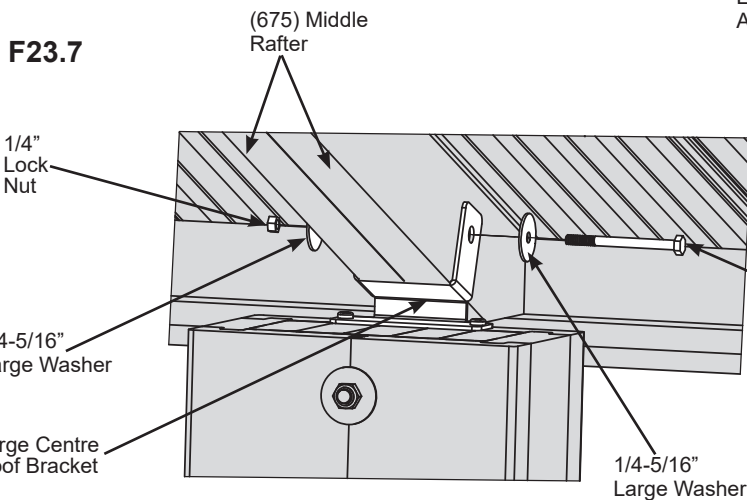
E: Attach Large Centre Roof Brackets and (675) Middle Roof Rafters together with one 1/4 x 3-1/2" Hex Bolt (with two 1/4-5/16" large washers and one 1/4" lock nut) per bracket. (F23.7)



One assembler to support roof panel(s) at all times until secure



Parts removed for clarity



1/4 x 3-1/2" Hex Bolt

Hardware

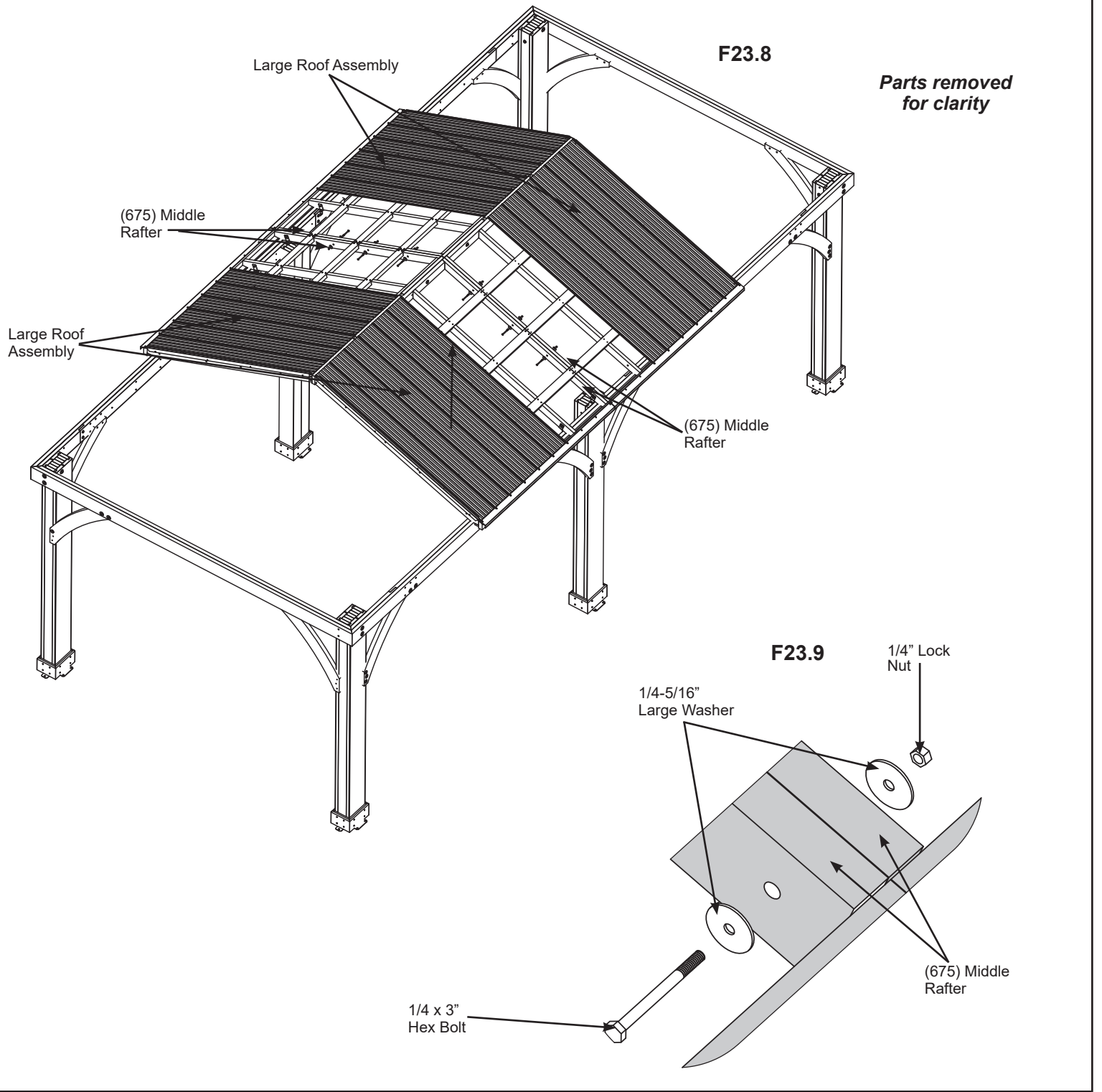
4 x 1/4 x 4-1/4" Hex Bolt
(1/4-5/16" large washer x 2, 1/4" lock nut)

2 x 1/4 x 3-1/2" Hex Bolt
(1/4-5/16" large washer x 2, 1/4" lock nut)

Step 23: Attach Large Roof Assemblies to Frame Part 3



F: Attach (675) Middle Rafters from each connecting Large Roof Assembly with three 1/4 x 3" Hex Bolts (with two 1/4-5/16" large washers and one 1/4" lock nut) per connection. (F23.8 and F23.9)



Hardware

6 x 1/4 x 3" Hex Bolt
(1/4-5/16" large washer x 2, 1/4" lock nut)

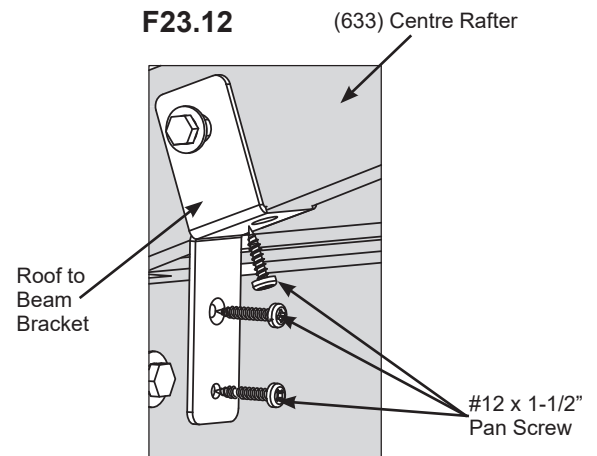
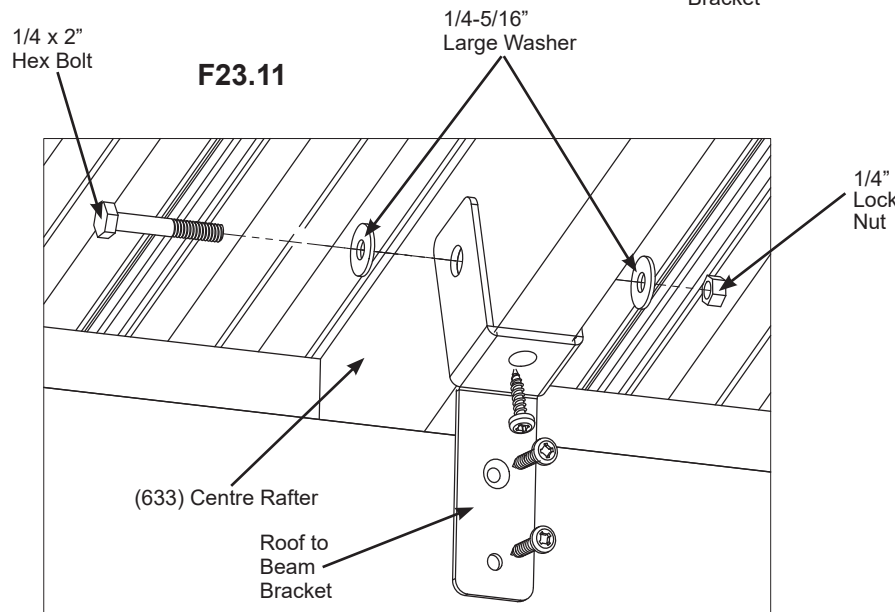
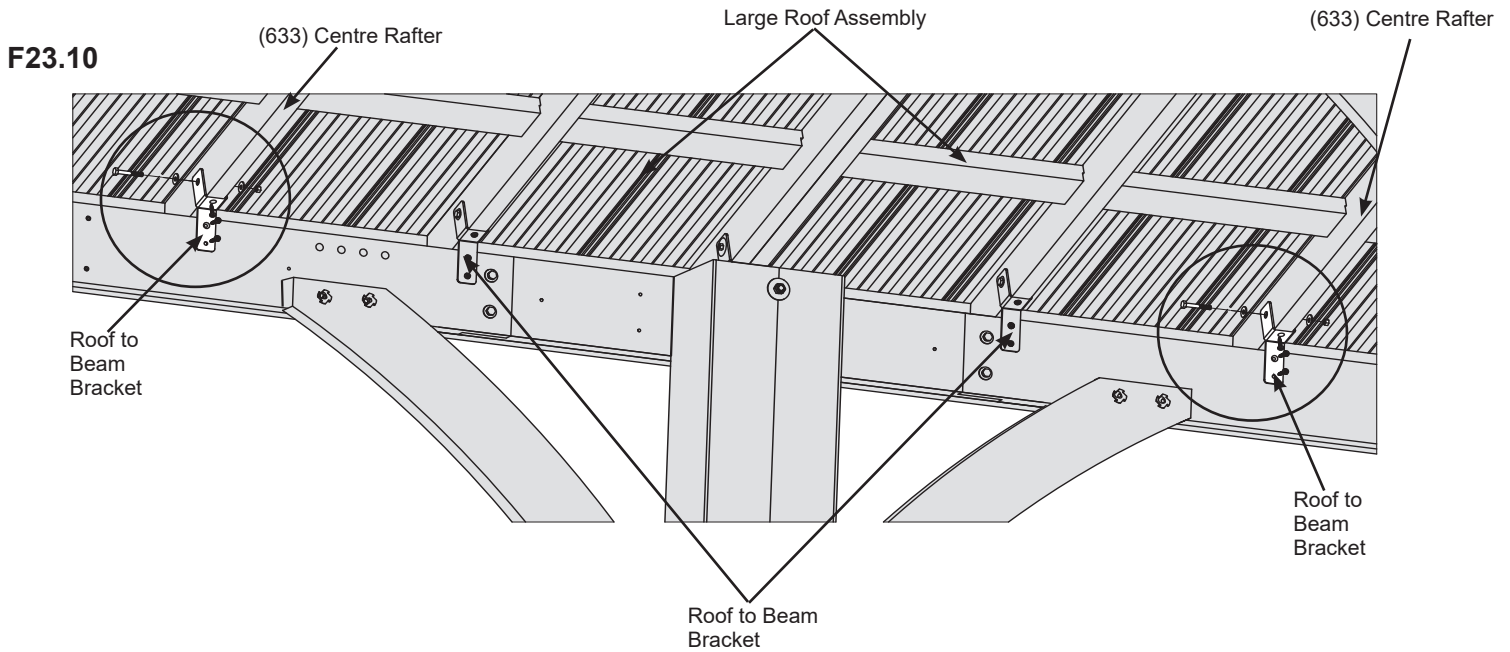
Step 23: Attach Large Roof Assemblies to Frame Part 4



G: Attach one Roof to Beam Bracket to the remaining (633) Centre Rafters on each Large Roof Assembly with one 1/4 x 2" Hex Bolt (with two 1/4-5/16" large washers and one 1/4" lock nut) per bracket. (F23.10 and F23.11)

H: From the outside of the assembly have one person push one Large Roof Assembly in so (1195) Soffit sits against the Long Beam Assembly and two people pushing up at the peak. One person fastens each Roof to Beam Bracket with three #12 x 1-1/2" Pan Screws. Install top screw into (633) Centre Rafter first then other two into the beam. Repeat this process for each Large Roof Assembly. (F23.10 and F23.12)

I: Tighten all Bracket bolts in the Large Roof Assemblies.



Components

4 x Roof to Beam Bracket

Hardware

36 x #12 x 1-1/2" Pan Screw

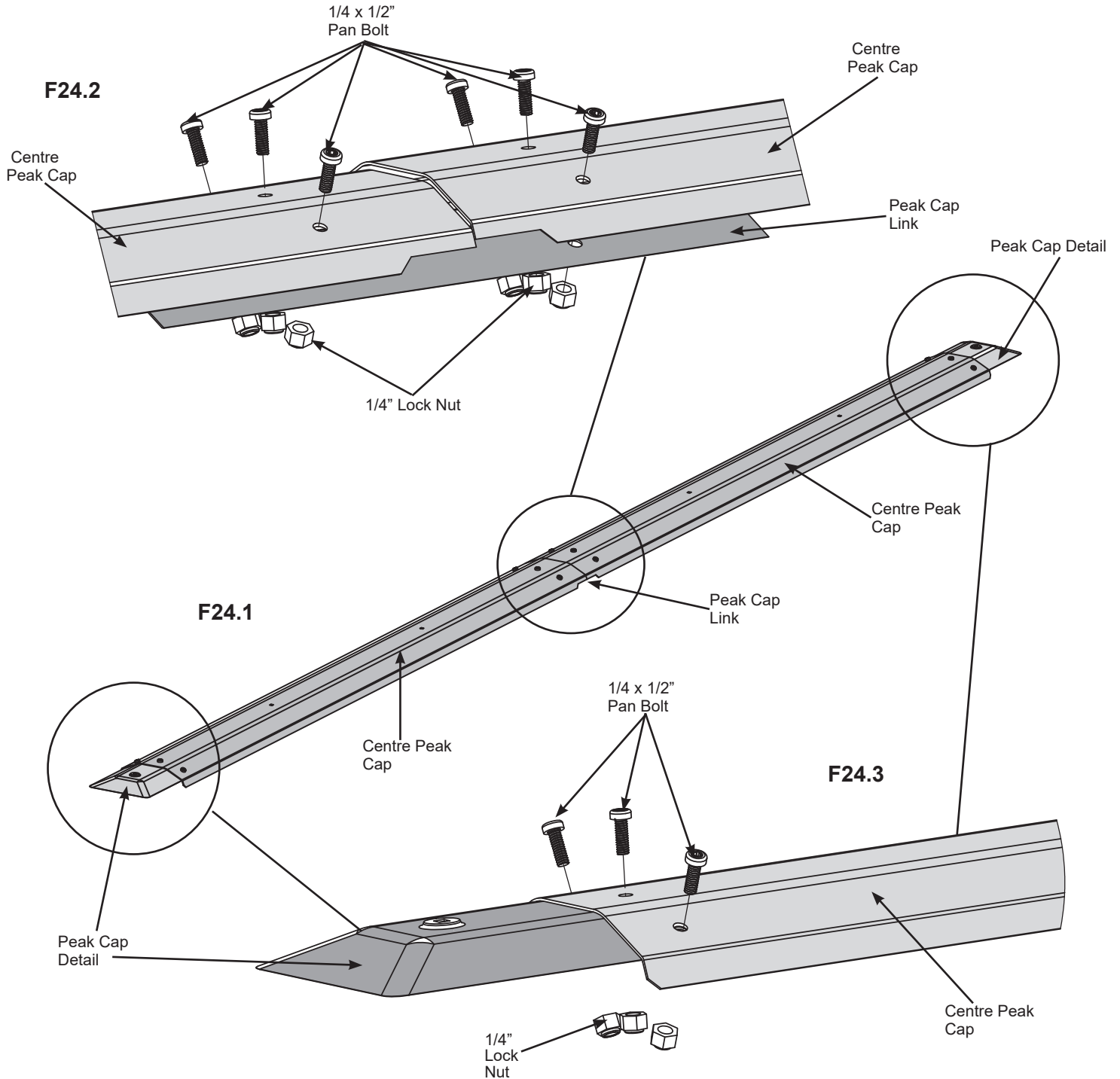
4 x 1/4 x 2" Hex Bolt
(1/4-5/16" large washer x 2, 1/4" lock nut)

Step 24: Place Peak Cap Assembly on Roof Panels

Part 1

A: Place two Centre Peak Caps so they are tight together then place one Peak Cap Link under Centre Peak Caps and attach with six 1/4 x 1/2" Pan Bolts (with 1/4" lock nut). (F24.1 and F24.2)

B: Slide one Peak Cap Detail in the end of each Centre Peak Cap and attach with three 1/4 x 1/2" Pan Bolts (with 1/4" lock nut) per side. (F24.1 and F24.3)



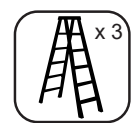
Components

2 x Peak Cap Detail
 2 x Centre Peak Cap
 1 x Peak Cap Link

Hardware

12 x 1/4 x 1/2" Pan Bolt (1/4" lock nut)

Step 24: Place Peak Cap Assembly on Roof Panels Part 2

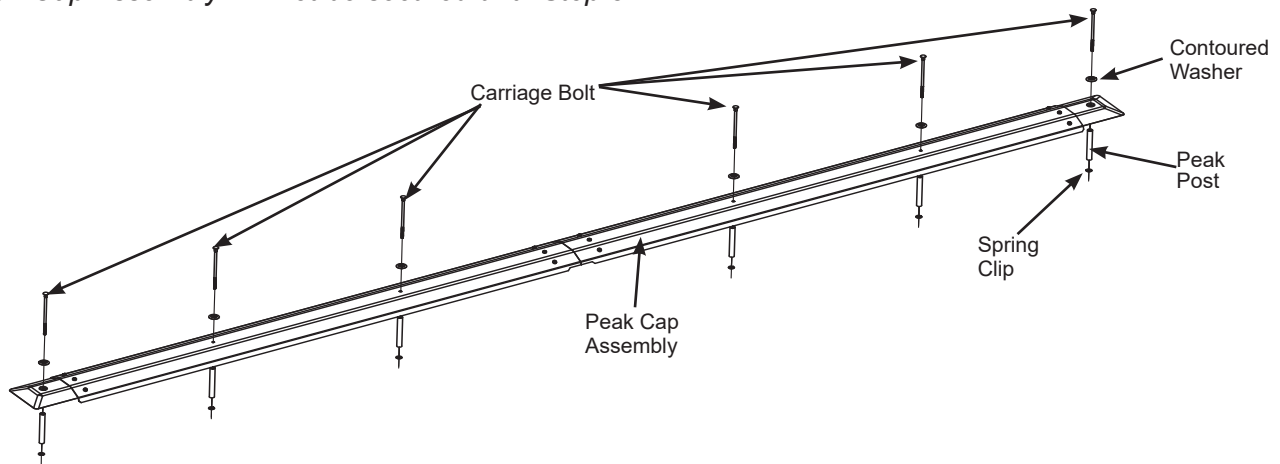


C: Insert six Carriage Bolts with Contoured Washers through the top of Peak Cap Assembly. Place one Peak Post over each Carriage Bolt and secure with Spring Clips. The Spring Clip holds the assembly together. (F24.4, F24.5 and F24.6)

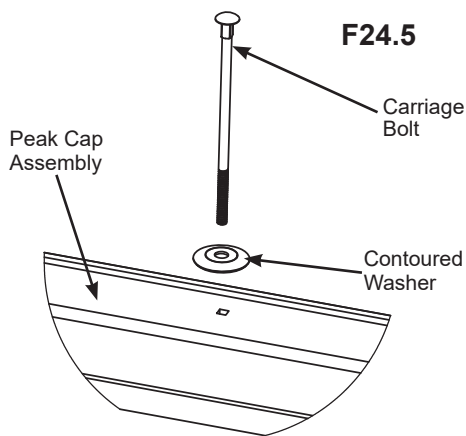
D: With one person on each end of the roof place Peak Cap Assembly on top of Large Roof Assemblies so Carriage bolts with Peak Post fit through gaps between the roof assemblies. (F24.7)

The Peak Cap Assembly will not be secured until Step 31.

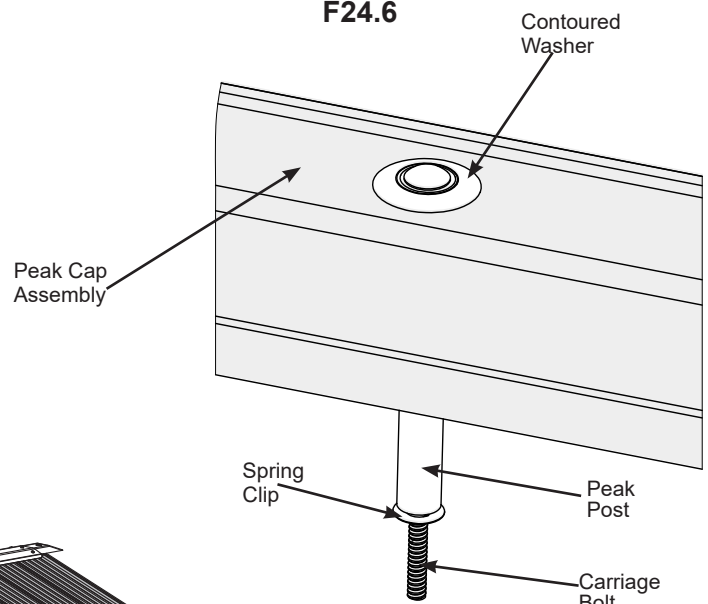
F24.4



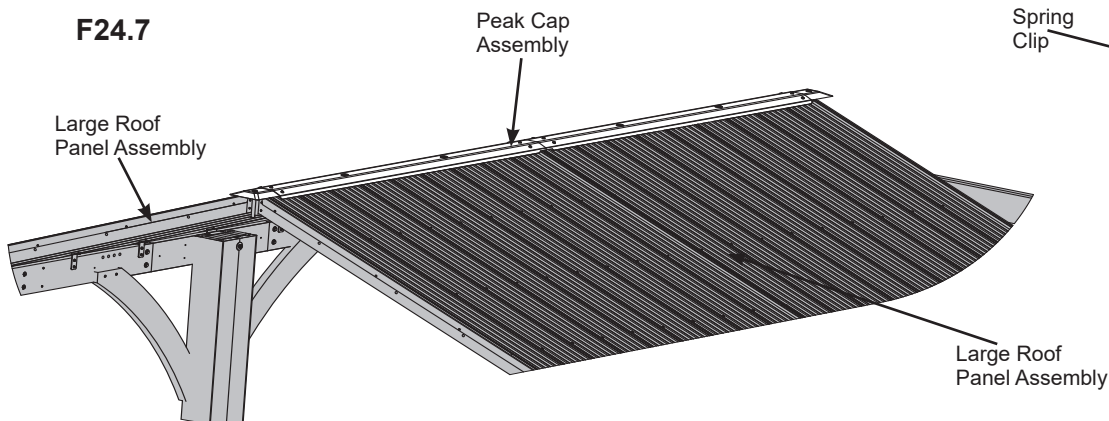
F24.5



F24.6



F24.7



Hardware

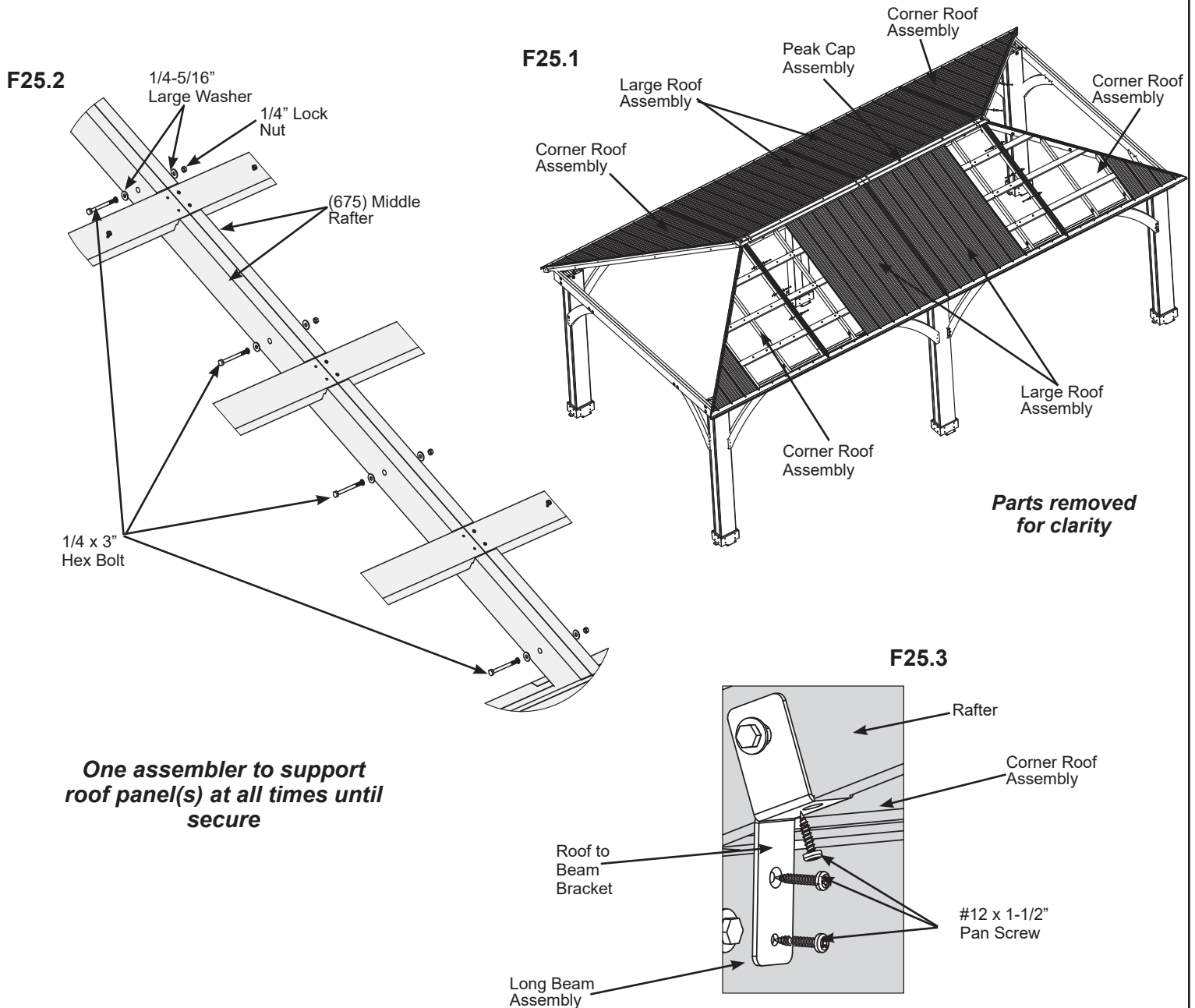
- 6 x Carriage Bolt
- 6 x Contoured Washer
- 6 x Peak Post
- 6 x Spring Clip

Step 25: Attach Corner Roof Assemblies to Frame Part 1



A: Place Left Corner Roof Assemblies on the left side of each Large Roof Assembly and the Right Corner Roof Assemblies on the right sides. You will need to lift Peak Cap Assembly to get the top under it. Make sure fascia on each panel are flush then attach (675) Middle Rafters from each connecting assembly with four 1/4 x 3" Hex Bolts (with two 1/4-5/16" large washers and one 1/4" lock nut) per Corner Roof Assembly. (F25.1 and F25.2)

B: Push panels up from the outside and inside top to make sure each Soffit End on the Corner Roof Assemblies are against the Long Beam Assembly then fasten each Roof to Beam Bracket with three #12 x 1-1/2" Pan Screws per bracket. Install top screw into the rafter first then install the other two into the beam. Slight gaps are normal. Complete one Corner Roof Assembly before starting the next. (F25.1 and F25.3)

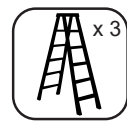


Hardware

16 x 1/4 x 3" Hex Bolt
(1/4-5/16" large washer x 2, 1/4" lock nut)

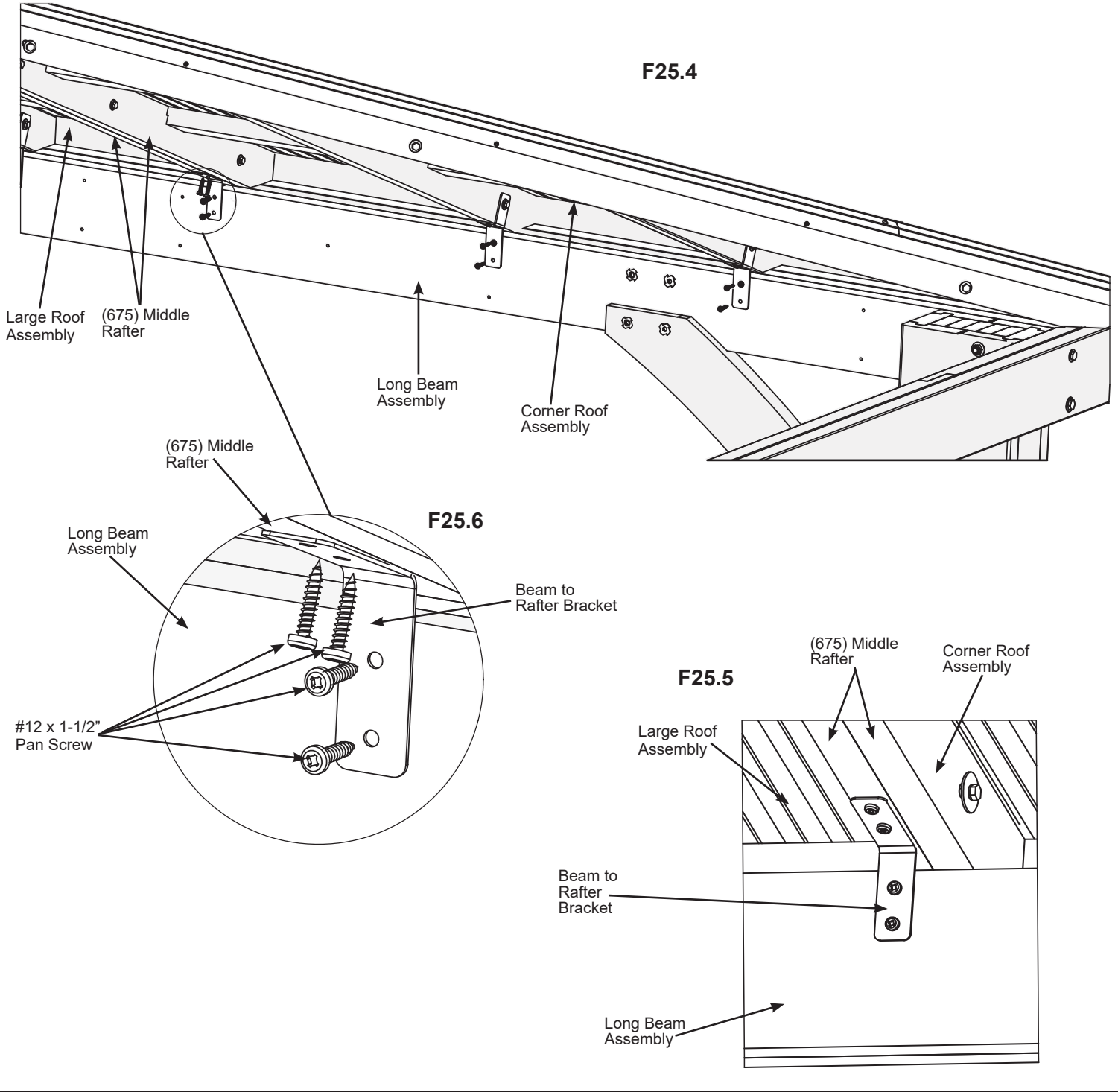
24 x #12 x 1-1/2" Pan Screw

Step 25: Attach Corner Roof Assemblies to Frame Part 2



C: On each connecting (675) Middle Rafter on the Large Roof Assembly attach one Beam to Rafter Bracket per rafter using four #12 x 1-1/2" Pan Screws per bracket. (F25.4, F25.5 and F25.6)

D: Tighten all Bracket bolts in the Corner Roof Assemblies.

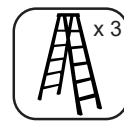


Hardware

16 x #12 x 1-1/2" Pan Screw

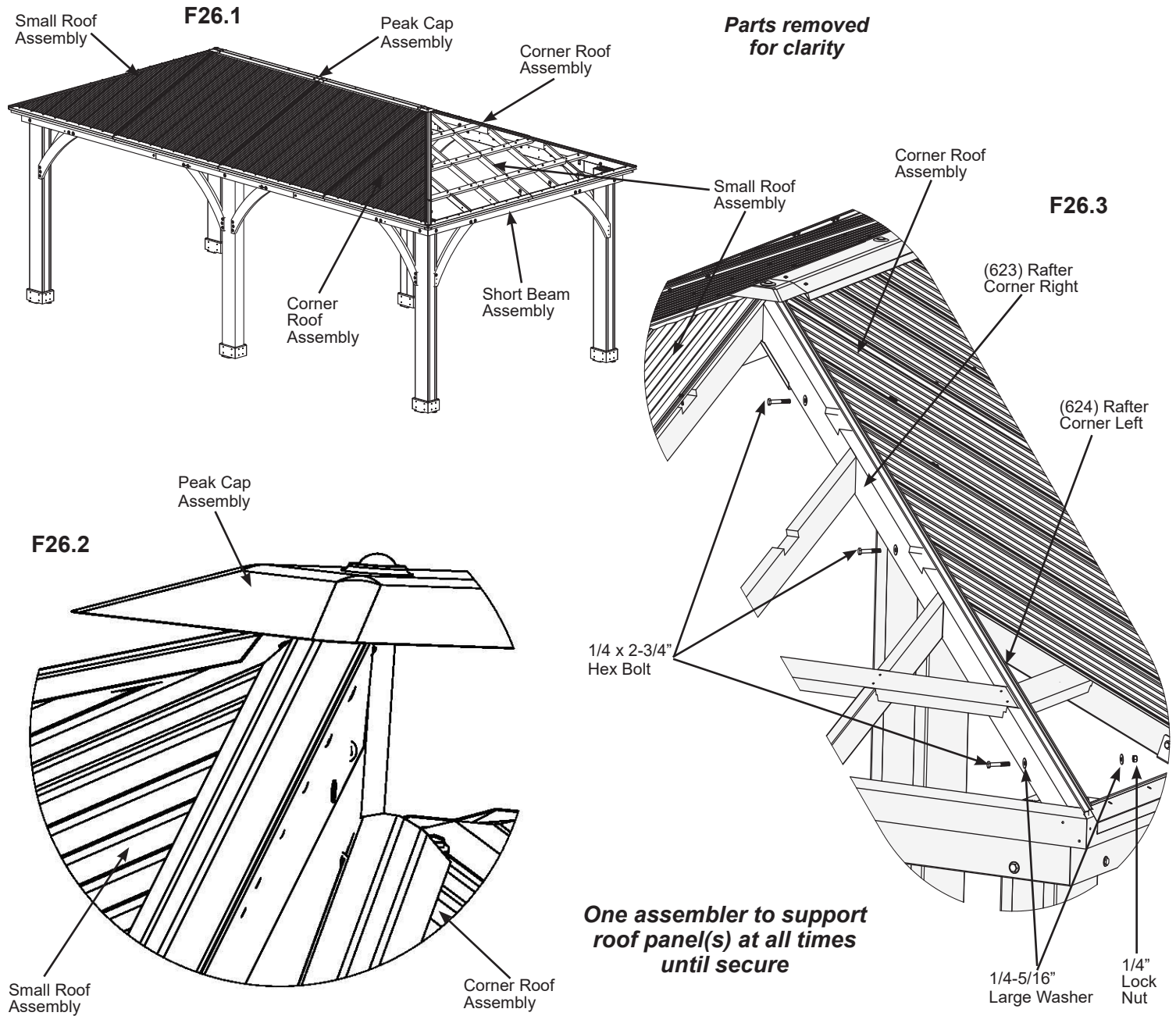
4 x Beam to Rafter Bracket

Step 26: Attach Small Roof Assemblies to Frame



A: With all four assemblers lift one Small Roof Assembly up and over the Short Beam Assembly. You will need to lift the Peak Cap Assembly to get the top under it. Loosely attach each (623) Rafter Corner Right to each (624) Rafter Corner Left with three 1/4 x 2-3/4" Hex Bolts (with two 1/4-5/16" large washers and one 1/4" lock nut) per side. To align bolt holes helper in the centre may have to push up the centre of the panels and others make sure corners are aligned. Make sure all bolts are tight. Joining rafters must be flush at the top. (F26.1, F26.2 and F26.3)

B: Repeat Step A for second Small Roof Assembly.



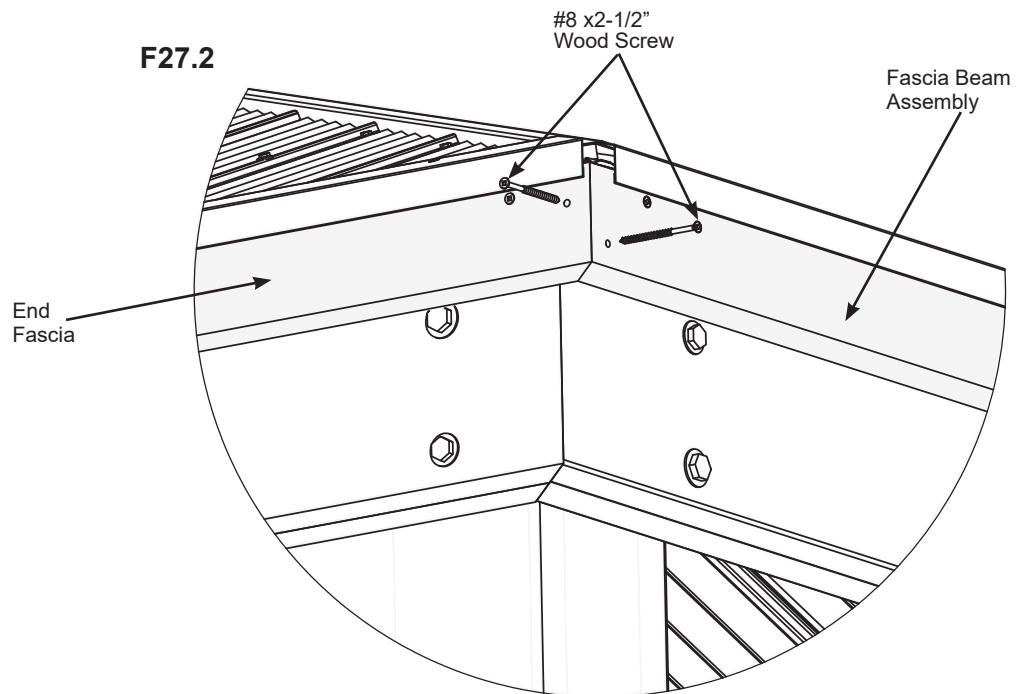
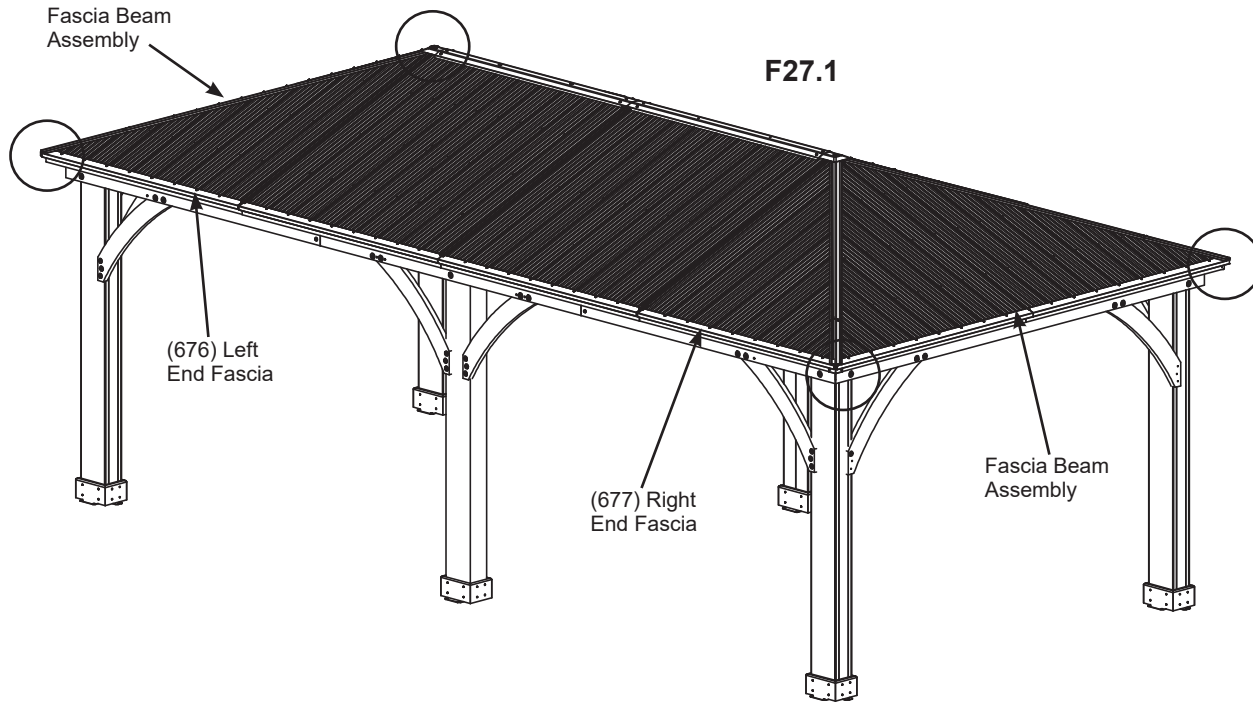
Hardware

12 x 1/4 x 2-3/4" Hex Bolt
(1/4-5/16" large washer x 2, 1/4" lock nut)

Step 27: Secure Roof Corners



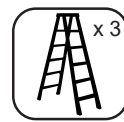
A: From outside the assembly attach Small Roof Assemblies and Corner Roof Assemblies together at the Fascia Beam Assembly and Left and Right End Fascias with two #8 x 2-1/2" Wood Screws per corner. A helper may need to lift the centre of the roof to bring the corners tight together. (F27.1 and F27.2)



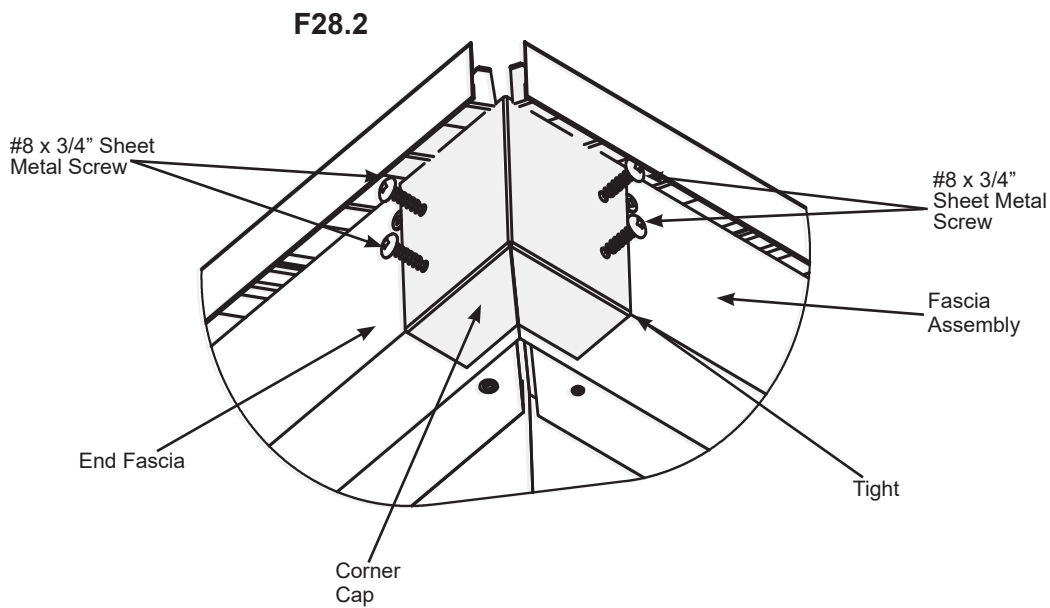
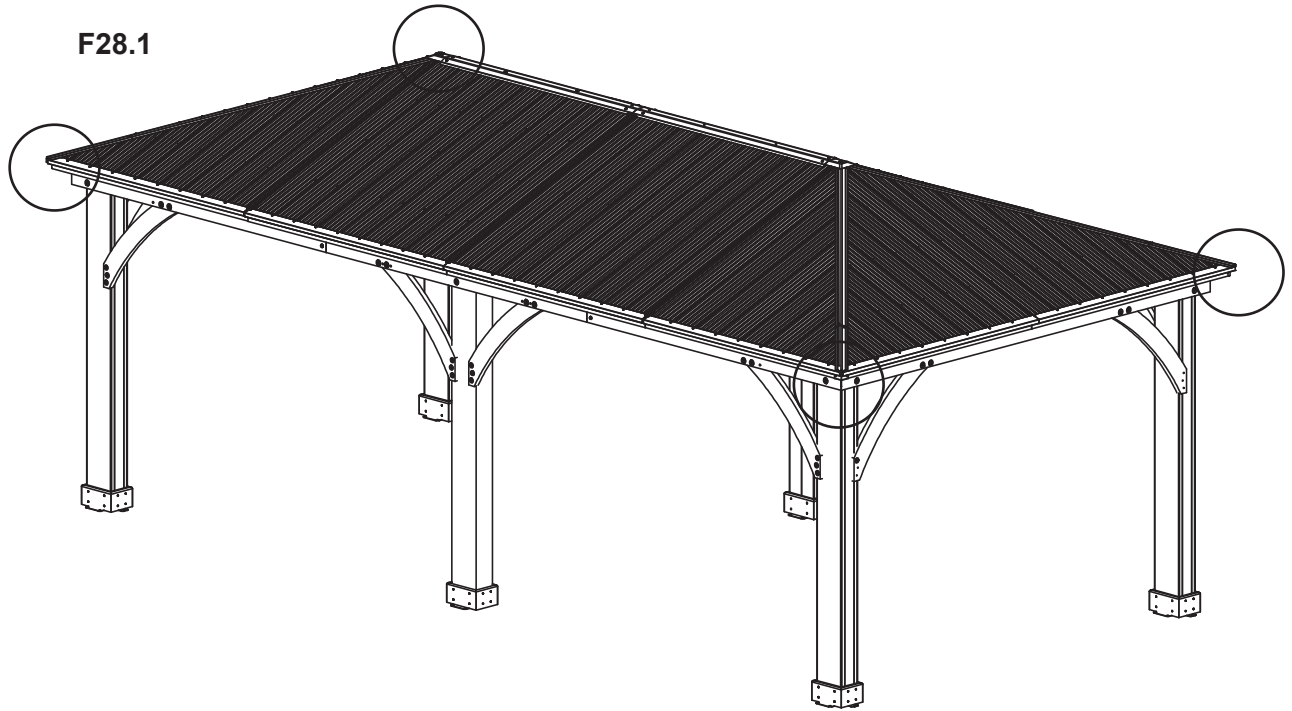
Hardware

8 x #8 x 2-1/2" Wood Screw

Step 28: Attach Corner Caps



A: At each corner place one Corner Cap tight to Fascia Assemblies and End Fascias, push up so the bottom is tight to the bottom of the fascia then attach with four #8 x 3/4" Sheet Metal Screws per Corner Cap. (F28.1 and F28.2)



Components:

4 x Corner Cap

Hardware

16 x #8 x 3/4" Sheet Metal Screw

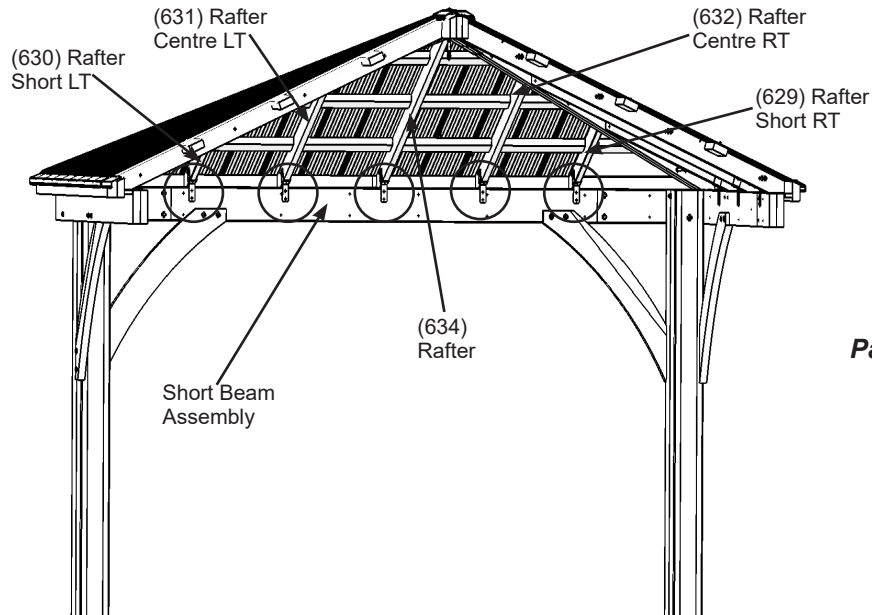
Step 29: Attach Roof to Beam Brackets - Small Roof Assembly

A: On each Small Roof Assembly, through the bolt hole at the bottom of the board, loosely attach one Roof to Beam Bracket to each rafter with one 1/4 x 2" Hex Bolt (with two 1/4-5/16" large washers and one 1/4" lock nut) per bracket. (F29.1 and F29.2)

B: Push panels up from the outside and inside top to make sure each (648) Soffit is against the Short Beam Assemblies then fasten each Roof to Beam Bracket with three #12 x 1-1/2" Pan Screws per bracket. Install top screw into the rafter first then install the other two into the beam. Slight gaps are normal. (F29.1 and F29.2)

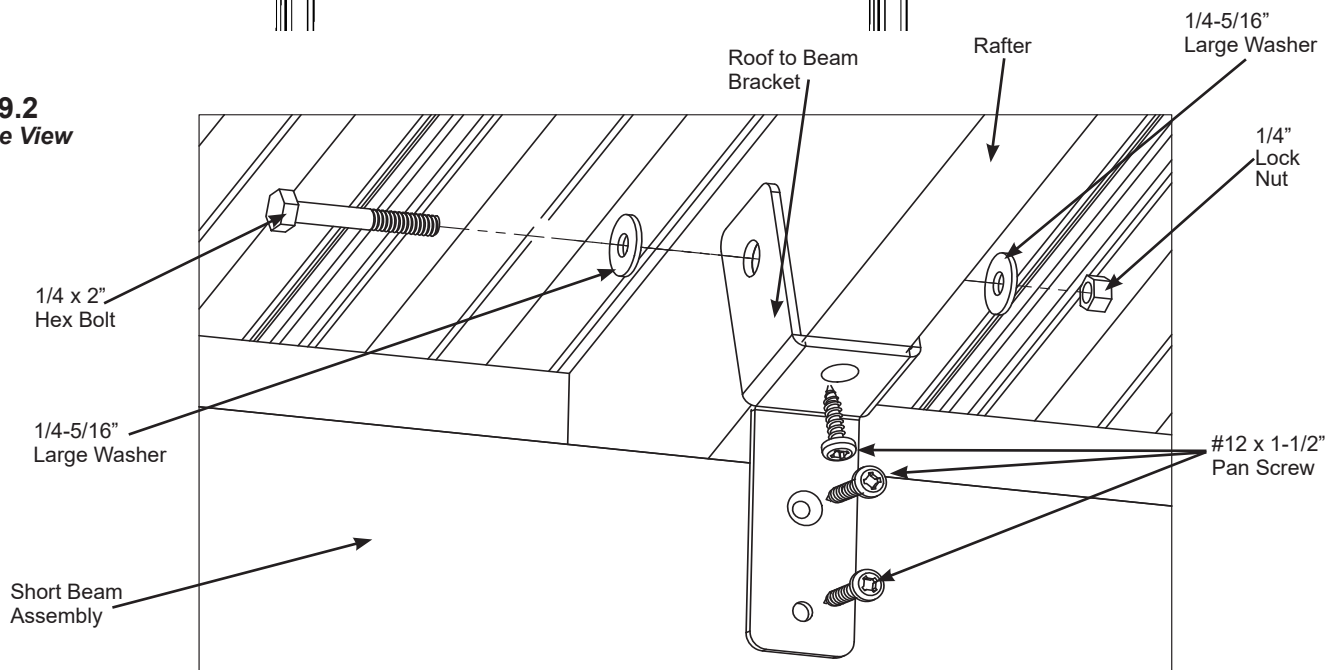
C: Tighten all Roof to Beam Bracket bolts in both Small Roof Assemblies.

F29.1
Inside View



Parts removed
for clarity

F29.2
Inside View



Components

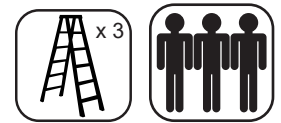
10 x Roof to Beam Bracket

Hardware

10 x 1/4 x 2" Hex Bolt
(1/4-5/16" large washer x 2, 1/4" lock nut)

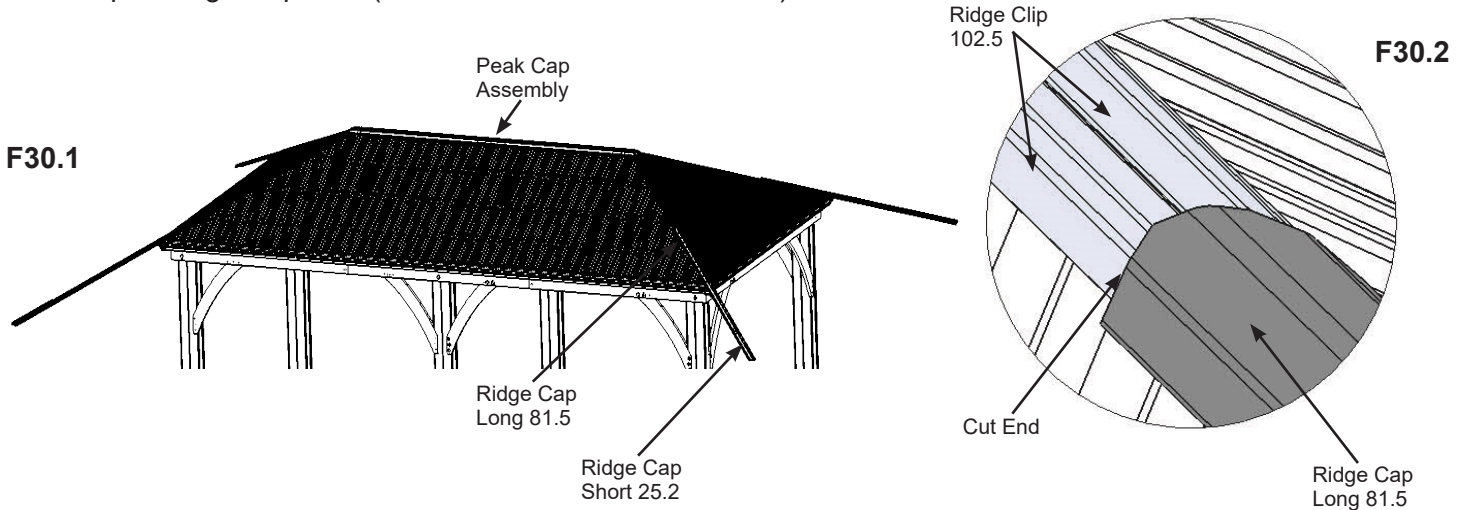
30 x #12 x 1-1/2" Pan Screw

Step 30: Attach Ridge Caps to Roof Panels Part 1

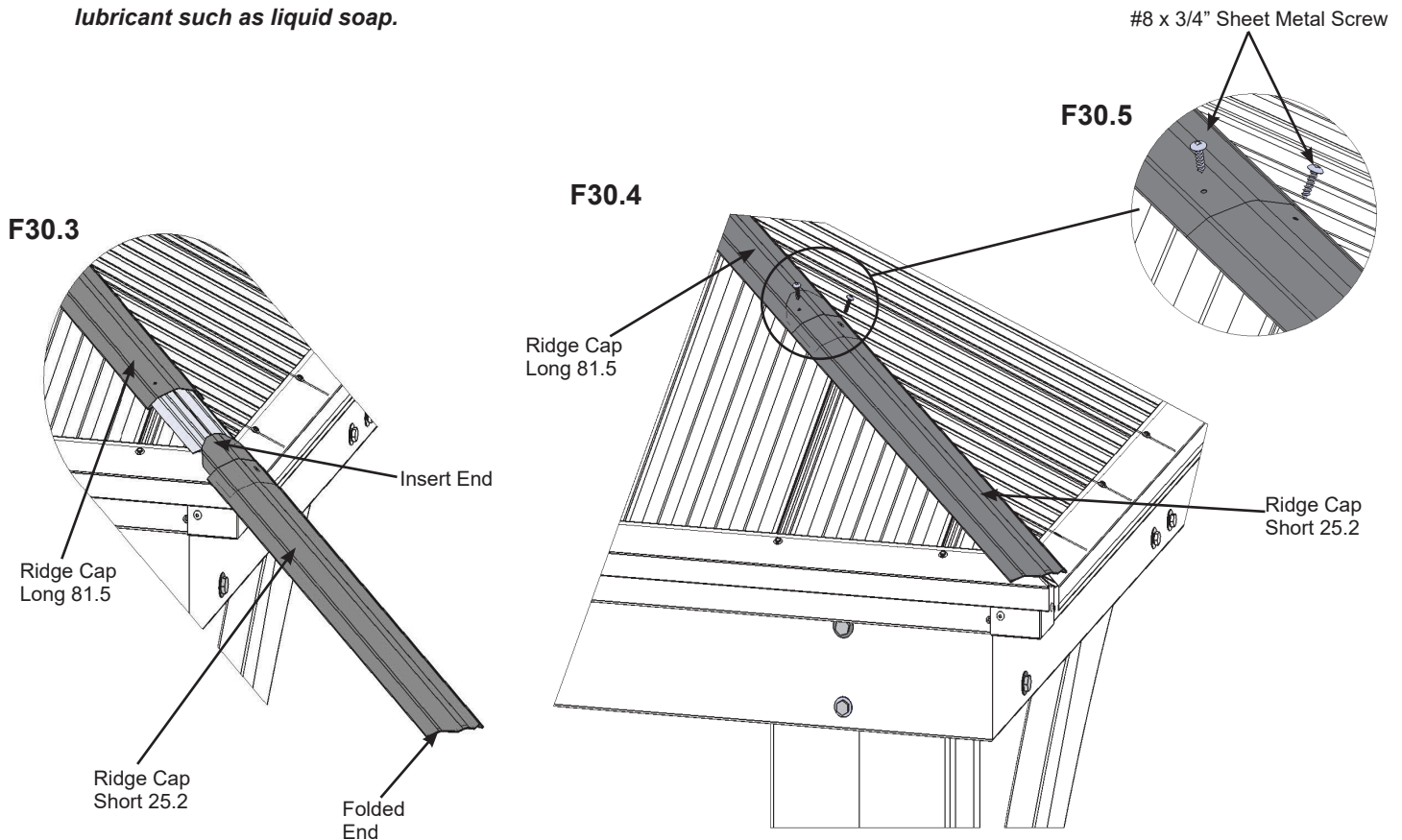


A: At each corner, slide one Ridge Cap Long 81.5 over the Ridge Clips, from the bottom up with cut end leading. (F30.1 and F30.2)

B: Slide Ridge Cap Short 25.2 over the Ridge Clips leading with the insert end to push the Ridge Cap Long 81.5 to the top, lifting Peak Cap Assembly so Ridge Cap Long 81.5s fit under. Attach with two #8 x 3/4" Sheet Metal Screws per Ridge Cap set. (F30.1, F30.3, F30.4 and F30.5)



Note: To help Ridge Caps slide on easier use a lubricant such as liquid soap.



Components:

- 4 x Ridge Cap Long 81.5
- 4 x Ridge Cap Short 25.2

Hardware

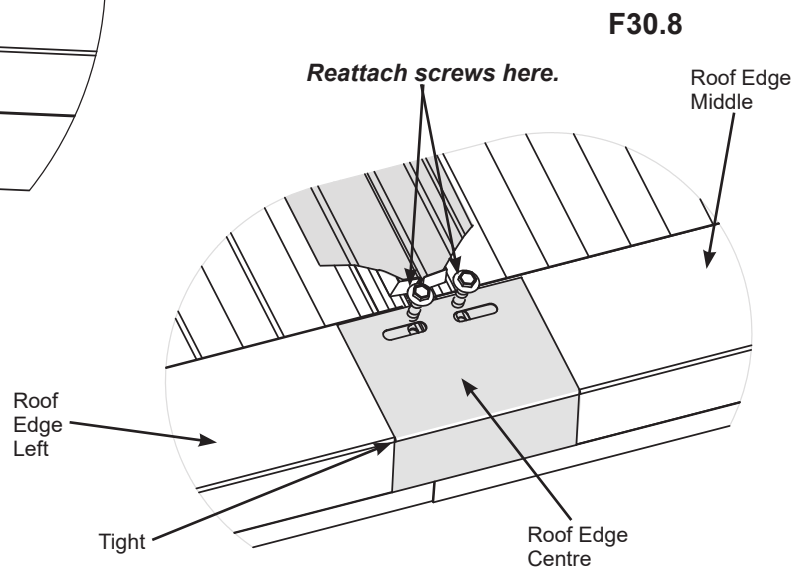
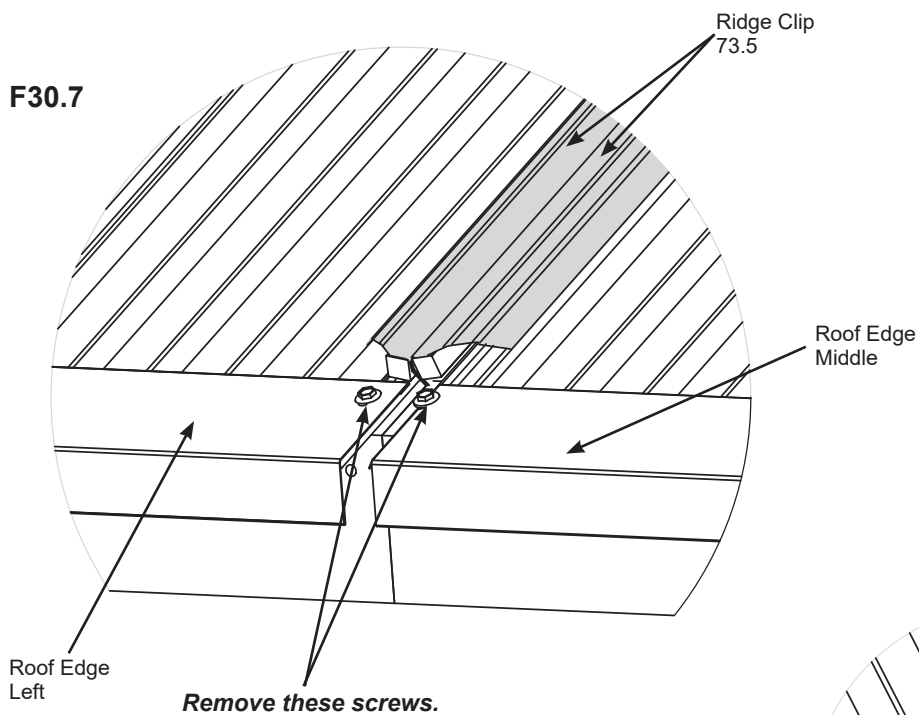
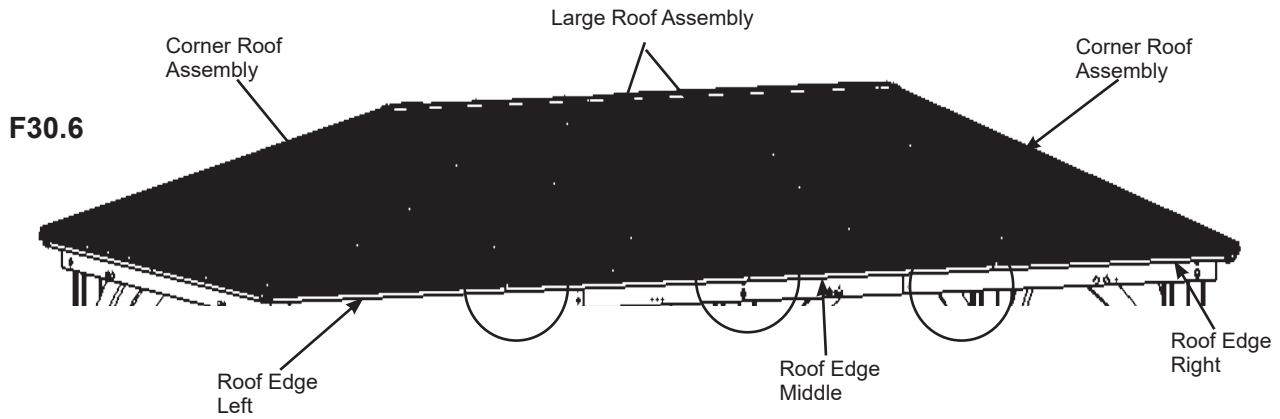
- 8 x #8 x 3/4" Sheet Metal Screw

Step 30: Attach Ridge Caps to Roof Panels Part 2



C: Remove the #8 x 1" Roofing Screws from each Roof Edge Left, Roof Edge Middle and Roof Edge Right where each Corner Roof Assembly and each Large Roof Assembly connect. Two screws per location. (F30.6 and F30.7)

D: Place one Roof Edge Centre over each connecting seam, tight to Roof Edges and attach with previously removed screws. (F30.6 and F30.8)



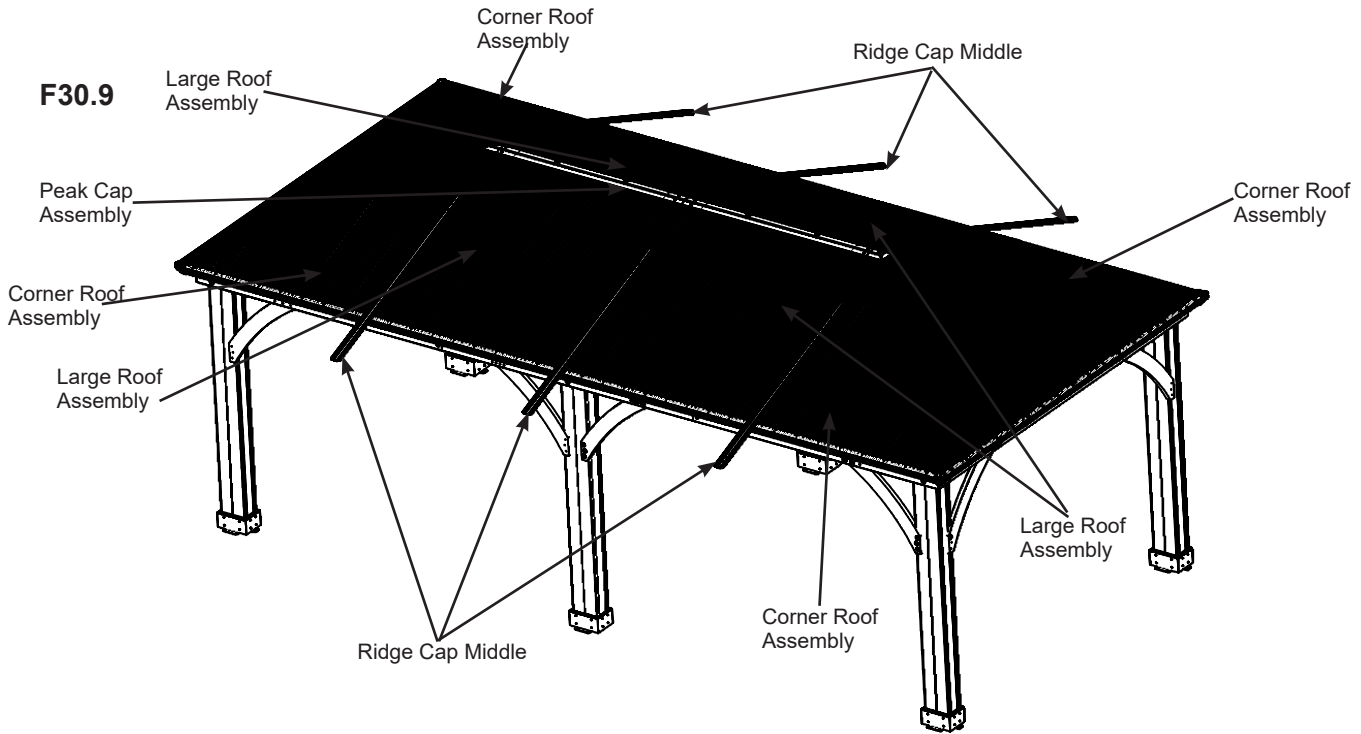
Components

6 x Roof Edge Centre

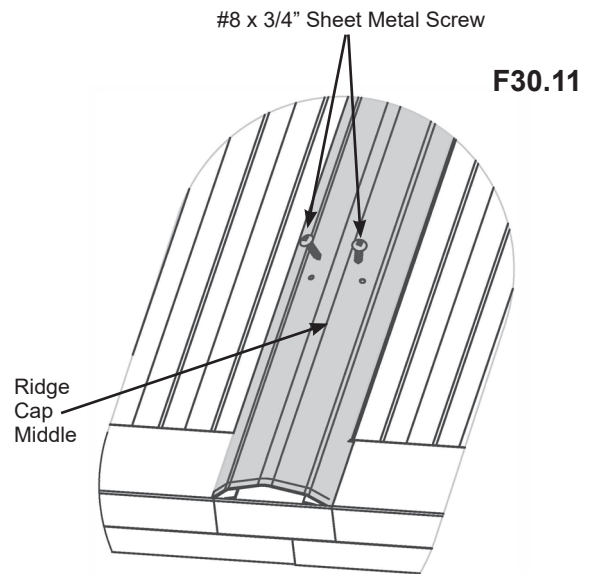
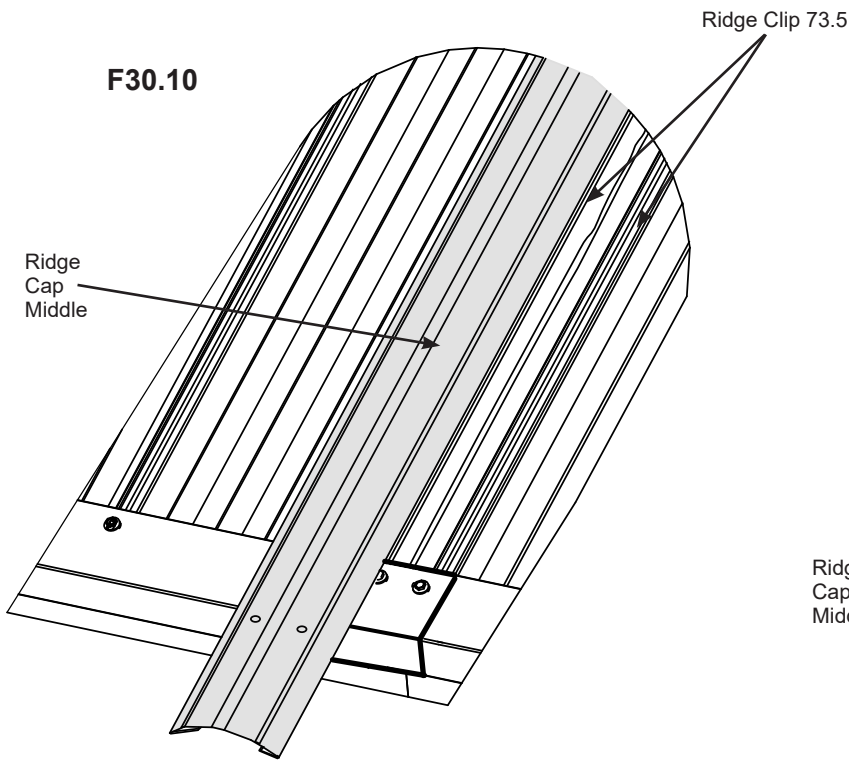
Step 30: Attach Ridge Caps to Roof Panels Part 3



E: At each Corner Roof Assembly and Large Roof Assembly connection, slide one Ridge Cap Middle over the Ridge Clips, from the bottom up to the top, with cut end leading. Slide under Peak Cap Assembly. Attach with two #8 x 3/4" Sheet Metal Screws per Ridge Cap Middle. (F30.9, F30.10 and F30.11)



Note: To help Ridge Caps slide on easier use a lubricant such as liquid soap.



Components

6 x Ridge Cap Middle

Hardware

12 x #8 x 3/4" Sheet Metal Screw

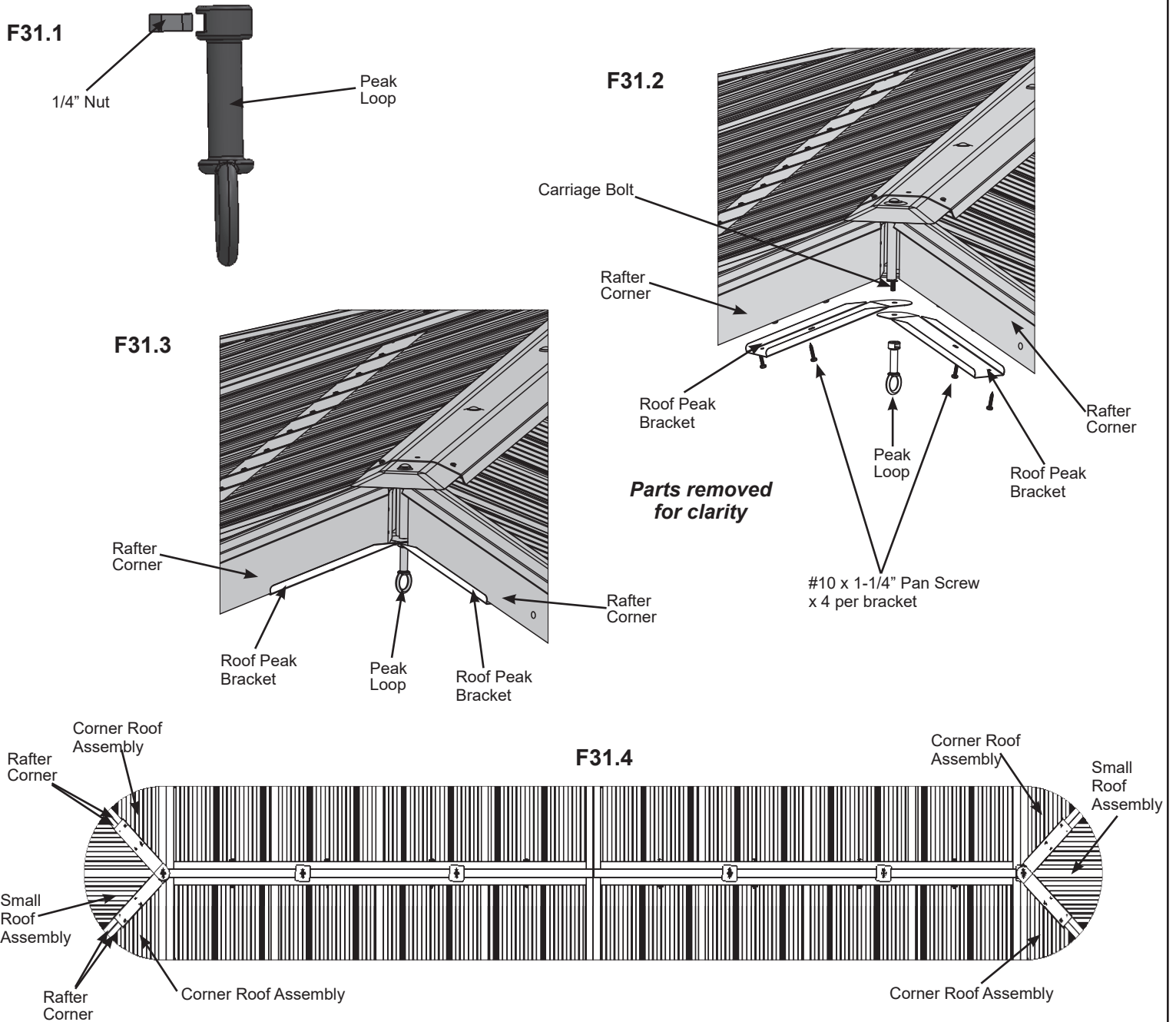
Step 31: Secure Roof Peak Detail Part 1



A: Insert one 1/4" Nut into each Peak Loop. Be careful nut is loose and will fall out until attached to Carriage Bolt. Only 2 are used in Part 1, the remaining 4 will be used in Part 2. (F31.1)

B: Insert two Roof Peak Brackets through each end Carriage Bolt, so they fit over the Rafter Corners, and attach Peak Loop to Carriage Bolts then twist to tighten. (F31.2, F31.3 and F31.4)

C: Attach each set of Roof Peak Brackets to the Rafter Corners of the connected Corner and Small Roof Assemblies in the slotted holes with four #10 x 1-1/4" Pan Screws per bracket. (F31.2, F31.3 and F31.4)



Components

6 x Peak Loop
6 x 1/4" Nut
4 x Roof Peak Bracket

Hardware

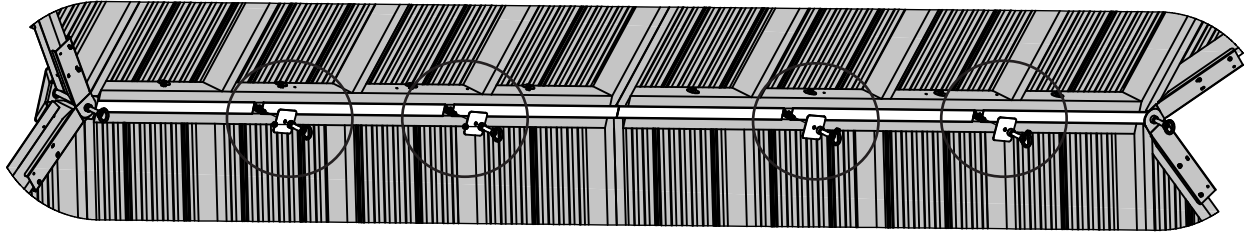
16 x #10 x 1-1/4" Pan Screw

Step 31: Secure Roof Peak Detail Part 2

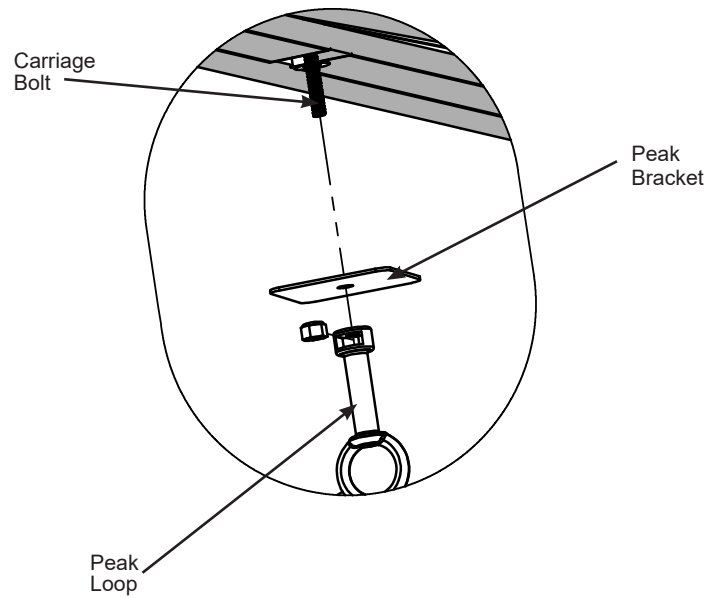


D: Place one Peak Bracket over each of the remaining Carriage Bolts then attach Peak Loop to Carriage Bolts and twist to tighten. (F31.5 and F31.6)

F31.5



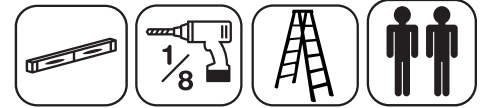
F31.6



Components

4 x Peak Bracket

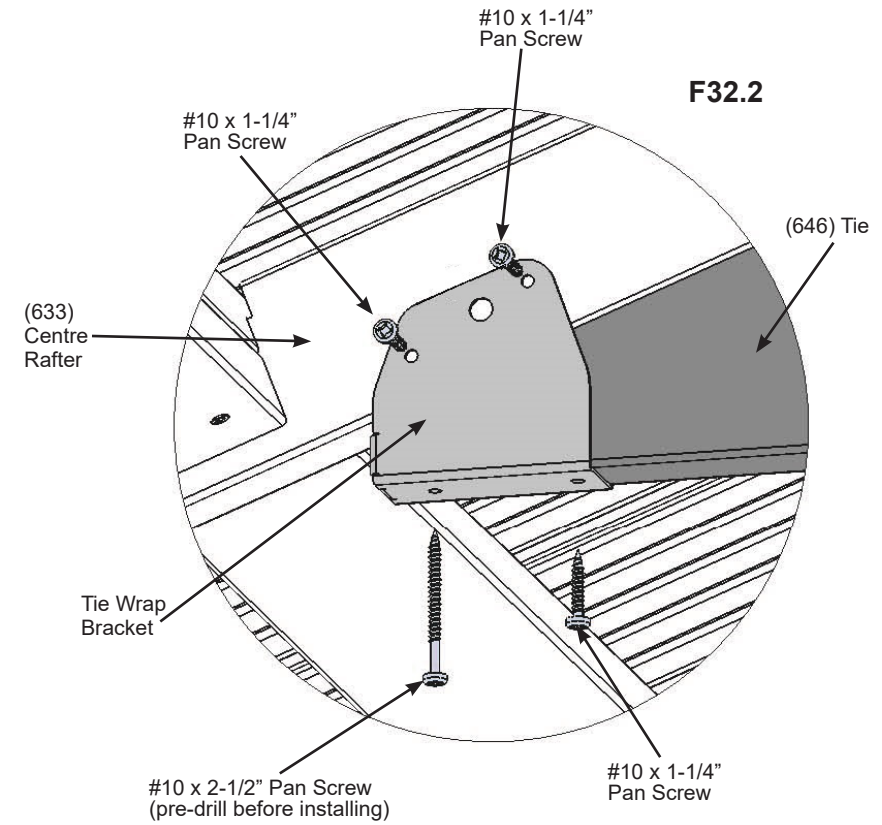
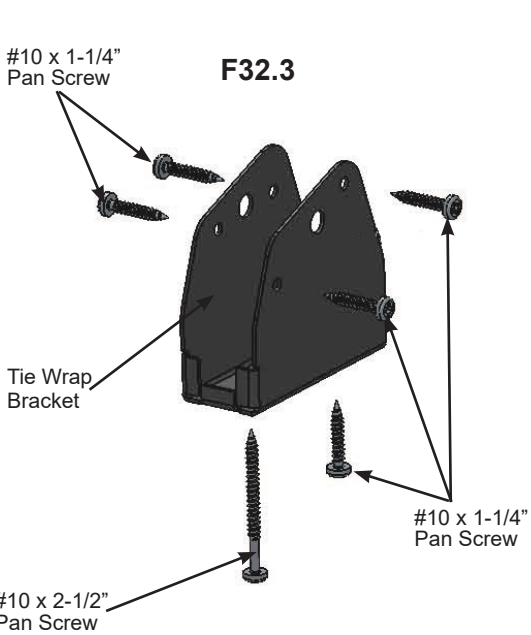
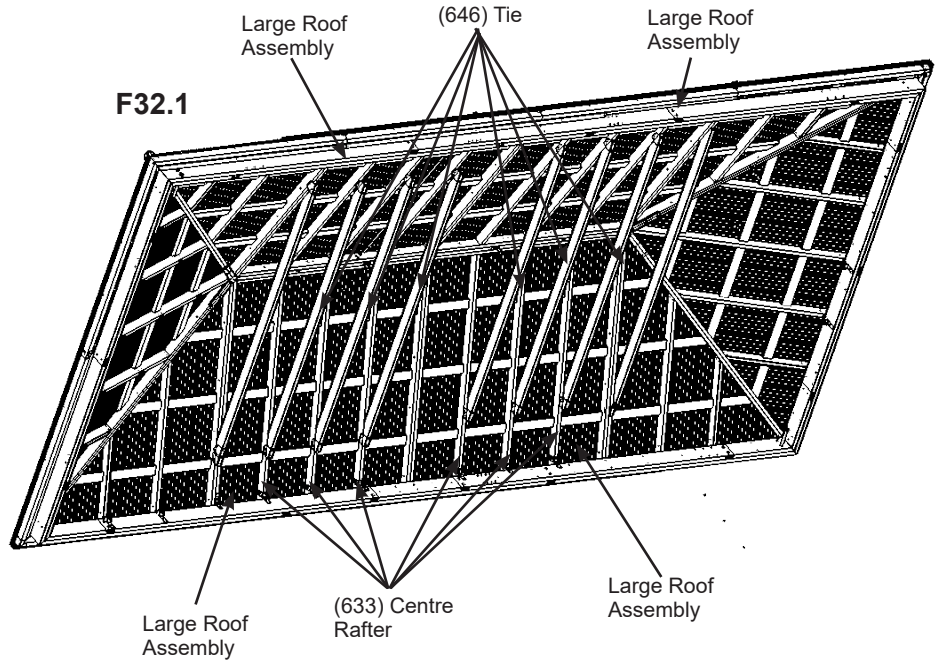
Step 32: Attach Tie Wrap Brackets and Ties Part 1



A: Attach one Tie Wrap Bracket tight to each end of six (646) Ties with one #10 x 1-1/4" Pan Screw per bracket using the inside holes. (F32.2 and F32.3)

B: With a helper place one (646) Tie with brackets against each (633) Centre Rafter on Large Roof Assemblies so (646) Tie is tight to the rafters and are level. Attach Tie Wrap Bracket to (633) Centre Rafters with two #10 x 1-1/4" Pan Screws on both sides of each bracket. (F32.1, F32.2 and F32.3)

C: Pre-drill with a 1/8" drill bit and secure Tie Wrap Brackets to (646) Ties and (633) Centre Rafters with one #10 x 2-1/2" Pan Screw per bracket. (F32.1, F32.2 and F32.3)



Wood Parts

6 x (646) Tie

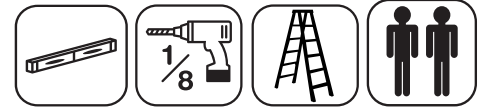
Components

12 x Tie Wrap Bracket

Hardware

60 x #10 x 1-1/4" Pan Screw
12 x #10 x 2-1/2" Pan Screw

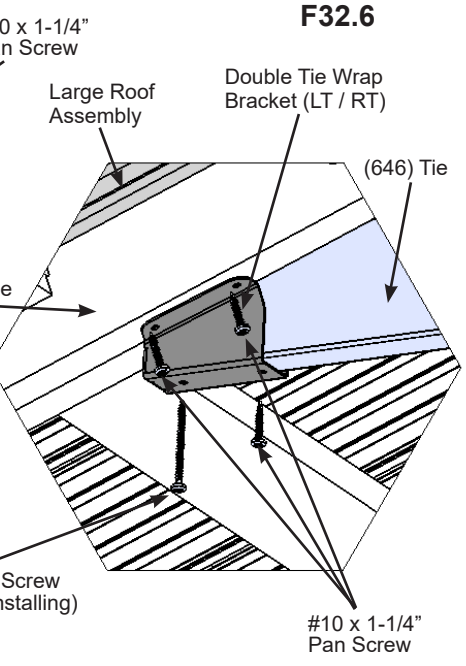
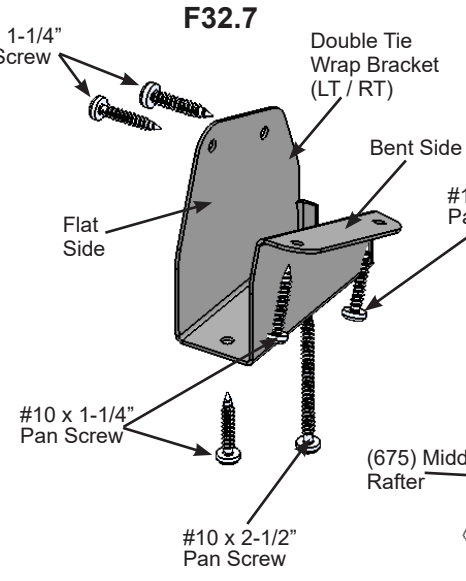
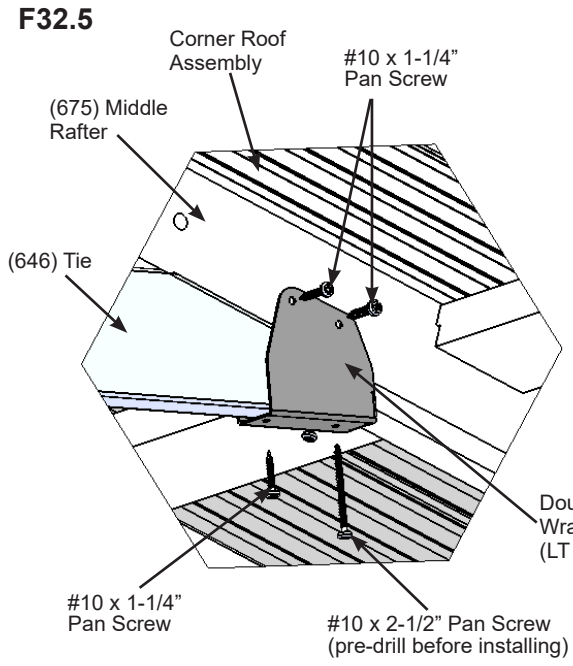
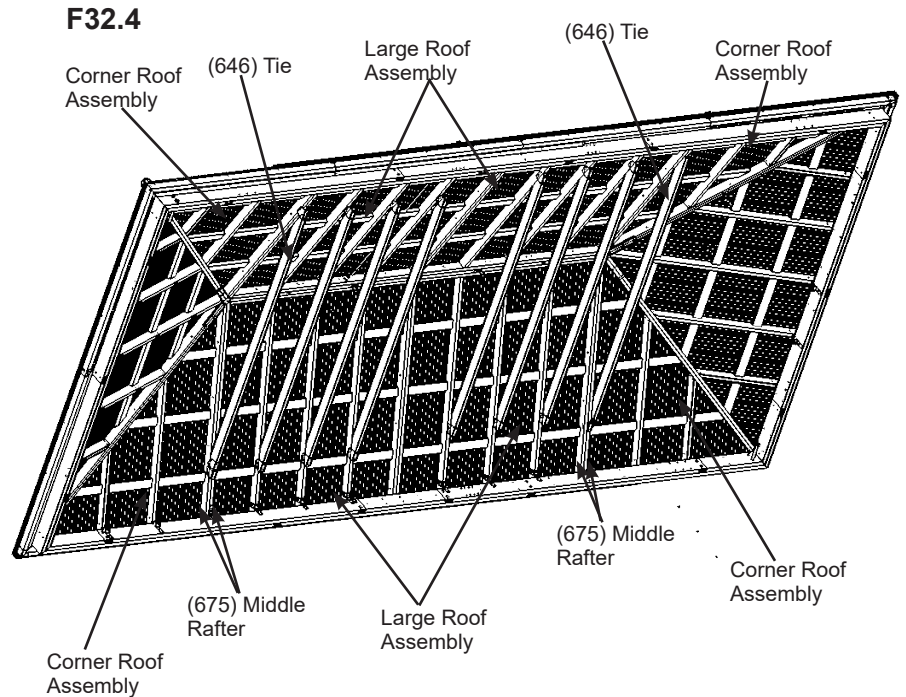
Step 32: Attach Tie Wrap Brackets and Ties Part 2



D: Attach one Double Tie Wrap Bracket RT and one Double Tie Wrap Bracket LT tight to each end of two (646) Ties with one #10 x 1-1/4" Pan Screw per bracket using the inside holes. Make sure flat side of each bracket is on the same side of the (646) Ties. (F32.5, F32.6 and F32.7)

E: With a helper place one (646) Tie against each (675) Middle Rafter on Corner Roof Assemblies so (646) Tie is tight to the rafters and are level. Flat side of each bracket must face out, bent side will be tight to (675) Middle Rafter on Large Roof Assemblies. Attach Double Tie Wrap Bracket to (675) Middle Rafters with four #10 x 1-1/4" Pan Screws. (F32.4, F32.5, F32.6 and F32.7)

F: Pre-drill with a 1/8" drill bit and secure Double Tie Wrap Brackets to (646) Ties and (675) Middle Rafters with one #10 x 2-1/2" Pan Screw per bracket. (F32.4, F32.5 and F32.6)



Wood Parts

2 x (646) Tie

Components

2 x Double Tie Wrap Bracket RT
2 x Double Tie Wrap Bracket LT

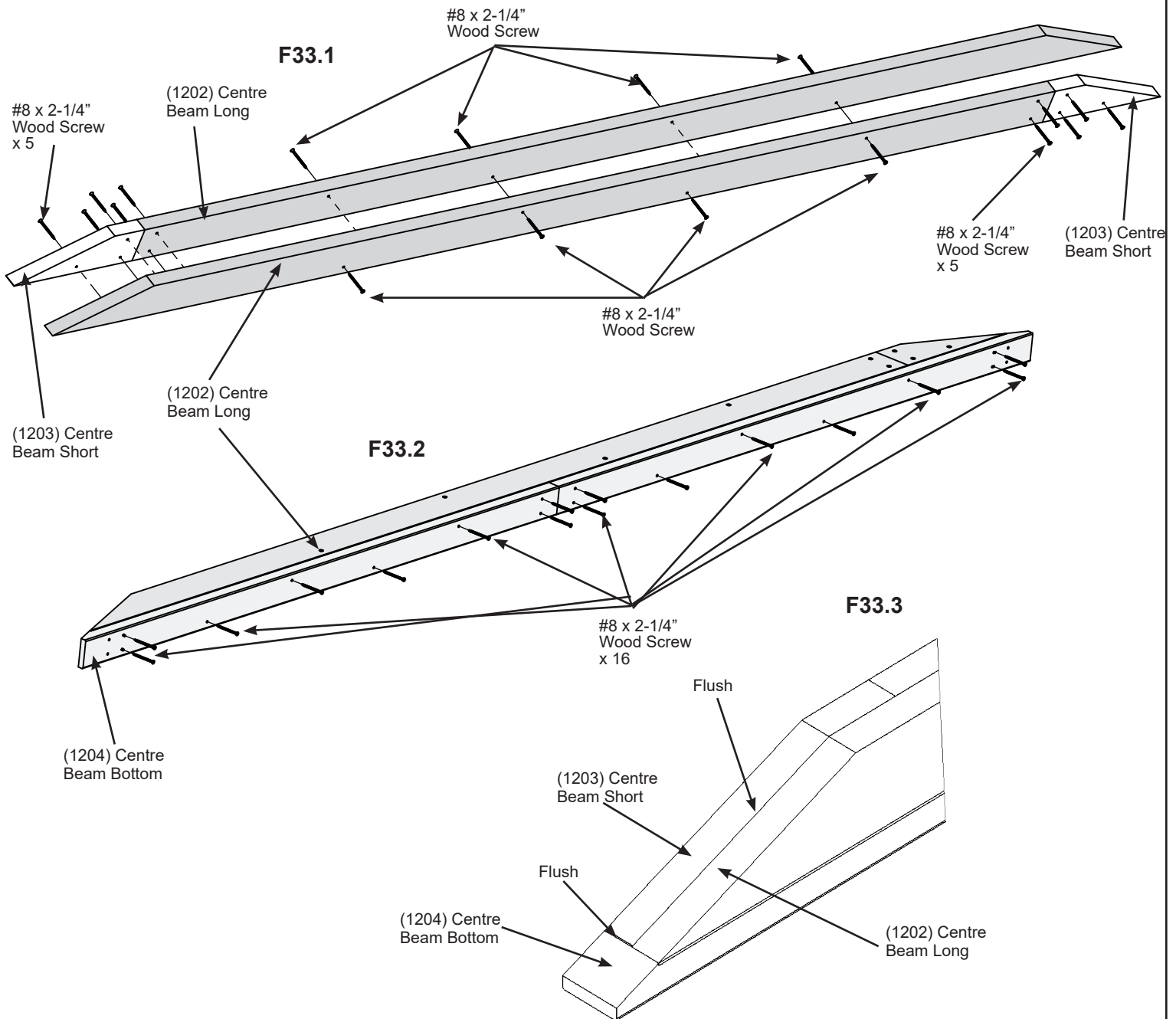
Hardware

20 x #10 x 1-1/4" Pan Screw
4 x #10 x 2-1/2" Pan Screw

Step 33: Centre Beam Assembly Part 1

A: Place one (1202) Centre Beam Long against one (1203) Centre Beam Short. Repeat for a second set making sure the (1203) Centre Beam Short is on the opposite end of (1202) Centre Beam Long. Place all boards together, tops and ends to be flush, then attach using 18 #8 x 2-1/4" Wood Screws. Notice orientation of screws being installed. (F33.1 and F33.3)

B: Attach two (1204) Centre Beam Bottoms to bottom of (1202) Centre Beam Longs and (1203) Centre Beam Shorts using 16 #8 x 2-1/4" Wood Screws. (1204) Centre Beam Bottoms will overhang at the ends. This creates the Centre Beam Assembly. (F33.2 and F33.3)



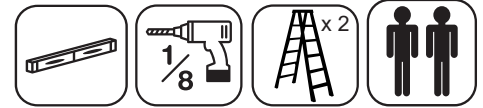
Wood Parts

- 2 x (1202) Centre Beam Long
- 2 x (1203) Centre Beam Short
- 2 x (1204) Centre Beam Bottom

Hardware

- 34 x #8 x 2-1/4" Wood Screw

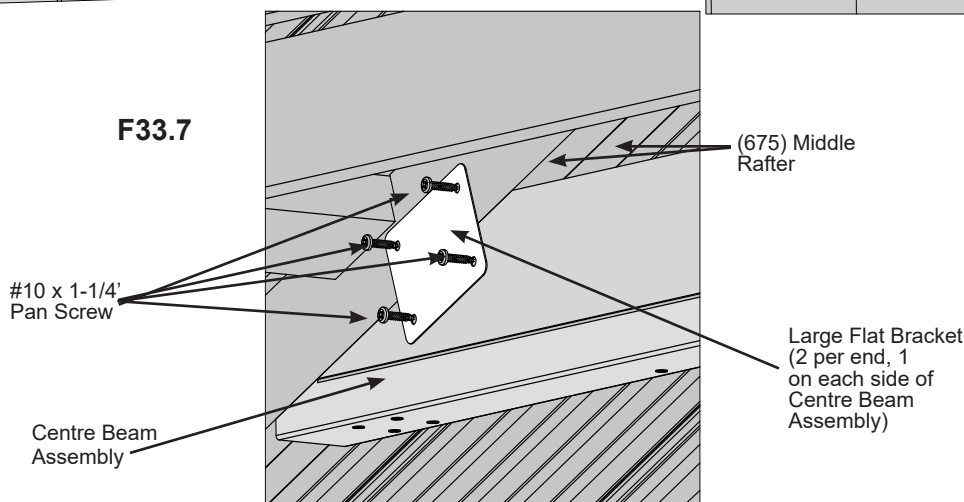
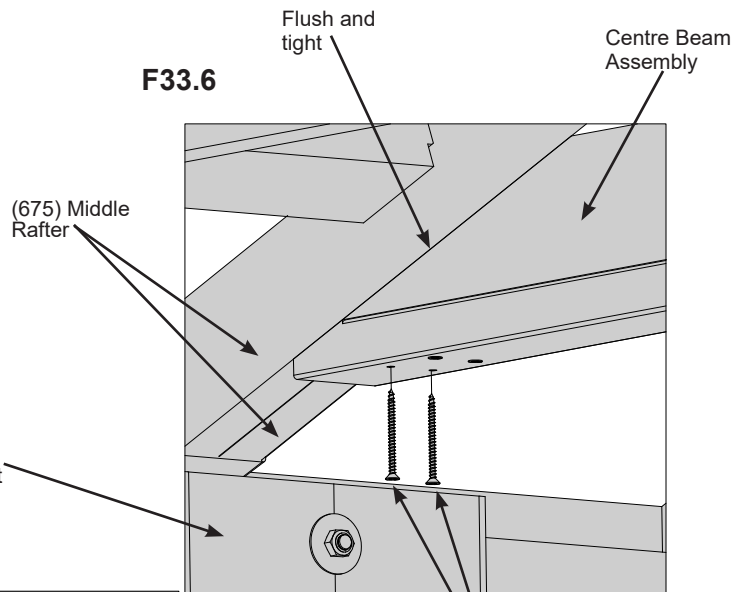
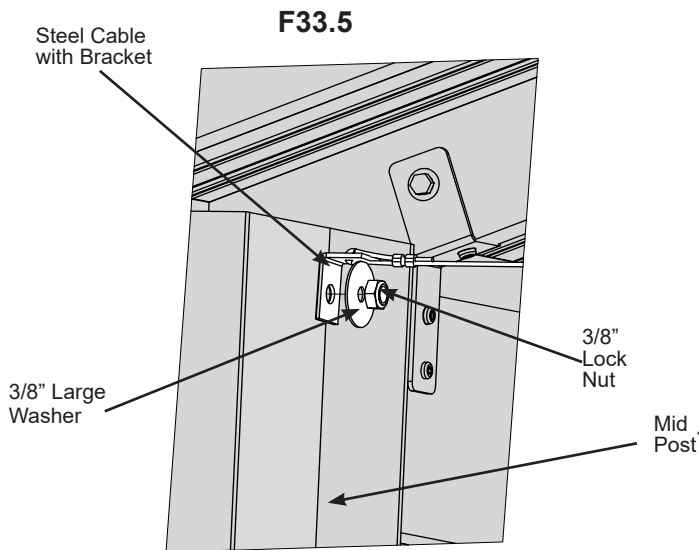
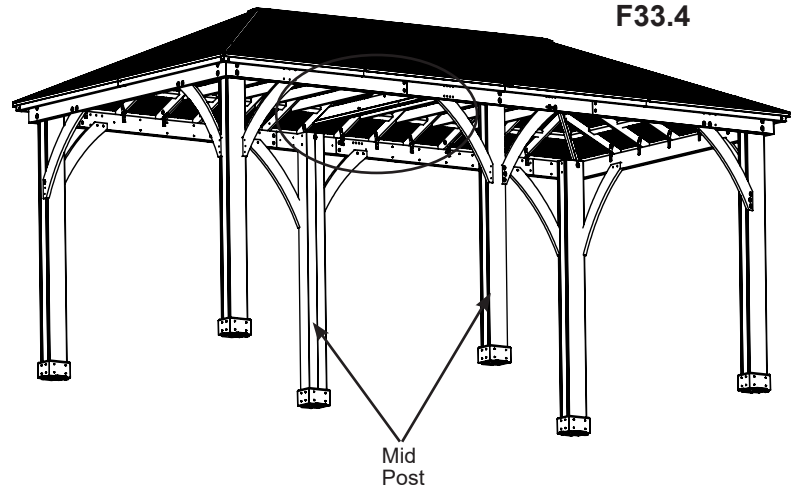
Step 33: Centre Beam Assembly Part 2



C: Remove the bolt, washers and lock nut on the Mid Post which attaches the Steel Cable with Brackets. Remove the Steel Cable with Brackets then reinstall the bolt, washers and lock nut. (F33.4, F33.5)

D: Place Centre Beam Assembly against (675) Middle Rafters above Mid Posts. Make sure Centre Beam Assembly is level then attach using two #8 x 3" Wood Screws per end. (F33.4 and F33.6)

E: Attach Centre Beam Assembly to (675) Middle Rafters with four Large Flat Brackets (2 per end) using four #10 x 1-1/4" Pan Screws per bracket. (F33.7)



Components

4 x Large Flat Bracket

Hardware

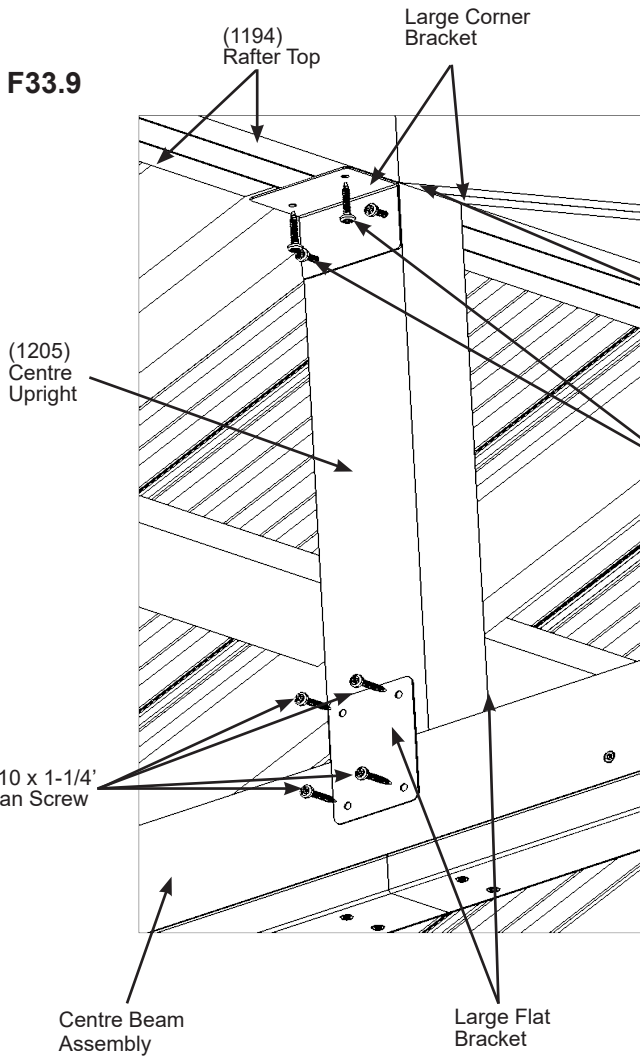
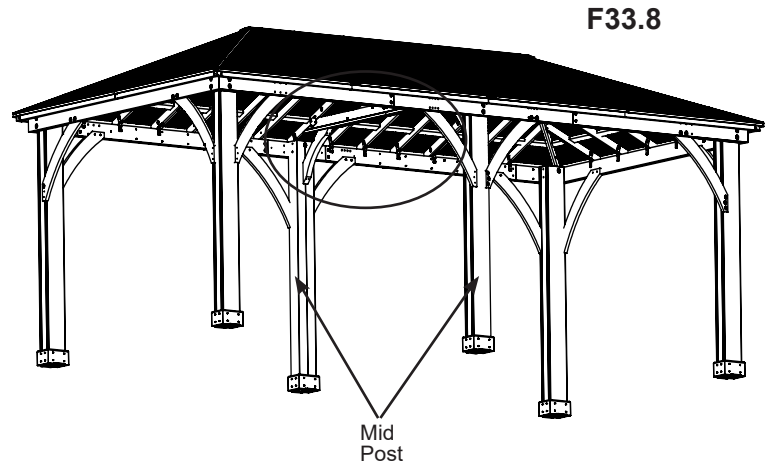
16 x #10 x 1-1/4" Pan Screw

4 x #8 x 3" Wood Screw

Step 33: Centre Beam Assembly Part 3

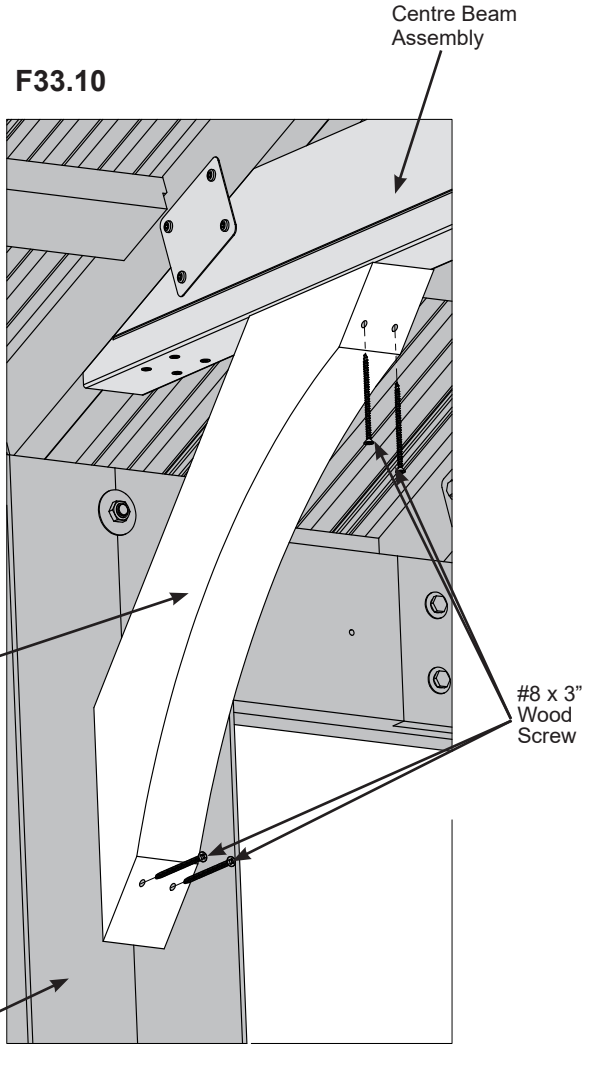
F: At the centre of the Centre Beam Assembly place (1205) Centre Upright. Attach Centre Beam Assembly to (1205) Centre Upright with 2 Large Flat Brackets using four #10 x 1-1/4" Pan Screws per bracket and (1205) Centre Upright to (1194) Rafter Tops with 2 Large Corner Brackets using four #10 x 1-1/4" Pan Screws per bracket. Brackets are installed on both sides of (1205) Centre Upright. (F33.8 and F33.9)

G: Tight to each Mid Post attach one (1206) Centre Gusset to each end of the Centre Beam Assembly and to Mid Posts using four #8 x 3" Wood Screws per gusset. (F33.8 and F33.10)



Note: There may be a small space

#10 x 1-1/4" Pan Screw x 4 per bracket



Wood Parts

- 1 x (1205) Centre Upright
- 2 x (1206) Centre Gusset

Components

- 2 x Large Flat Bracket
- 2 x Large Corner Bracket

Hardware

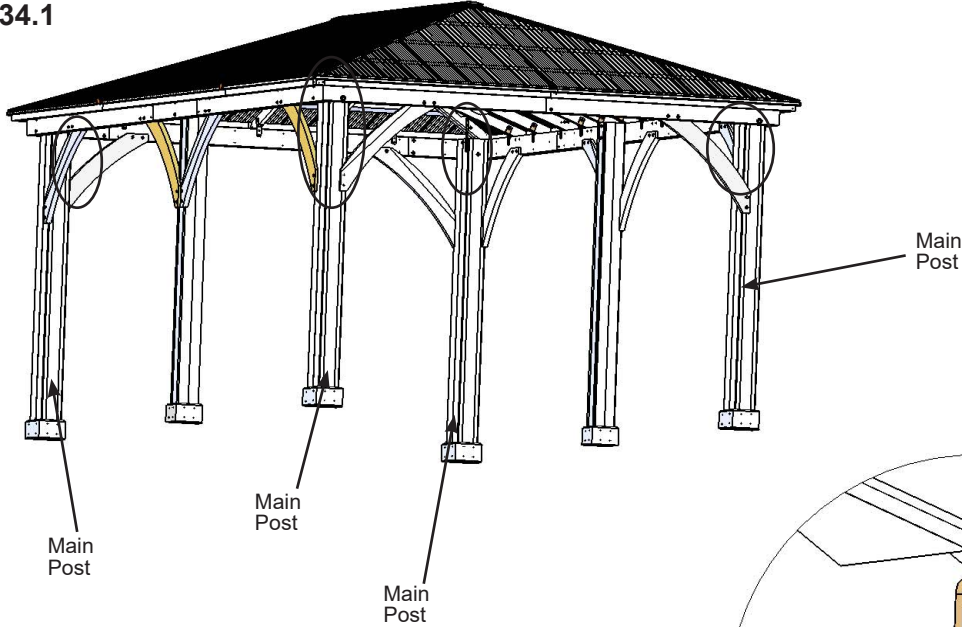
- 16 x #10 x 1-1/4" Pan Screw
- 8 x #8 x 3" Wood Screw

Step 34: Attach Twist Brackets

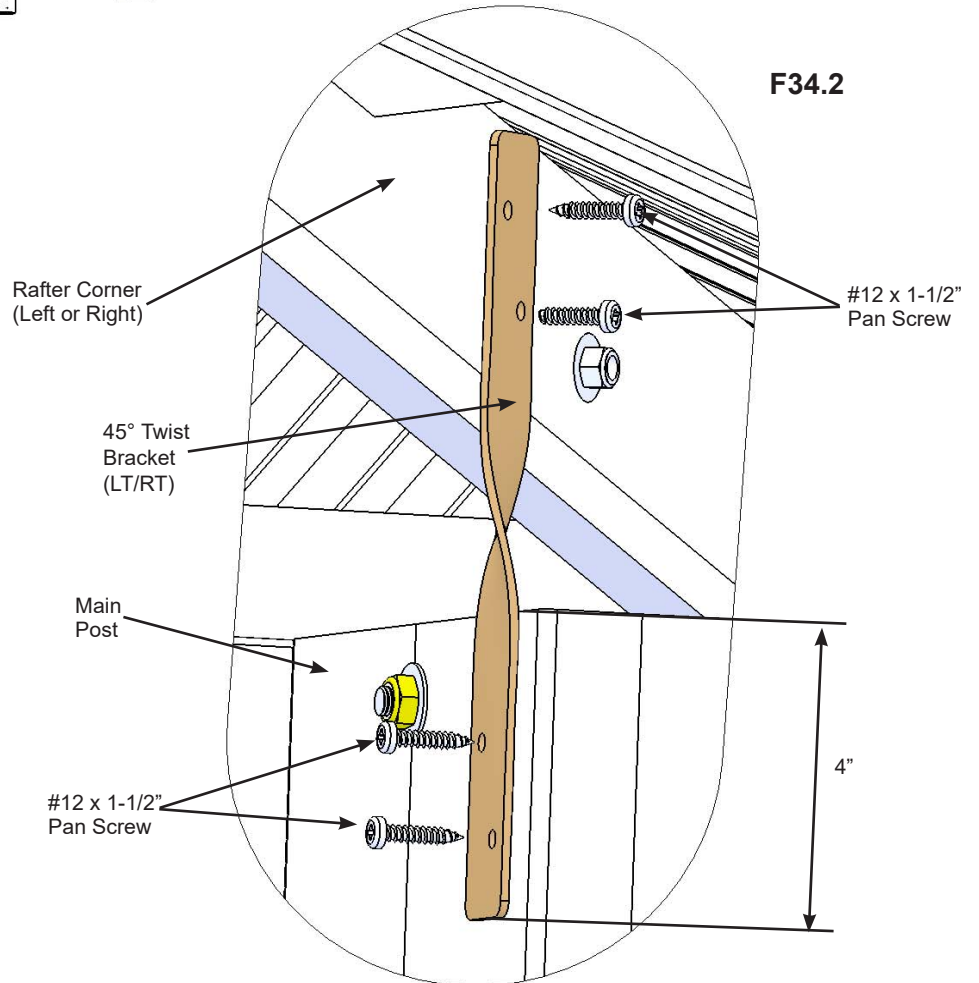


A: Measure 4" down from the inside of each Main Post, place bottom of either 45° Twist Bracket LT or 45° Twist Bracket RT at measured location then attach to Main Post and Corner Rafter (Left or Right) with four #12 x 1-1/2" Pan Screws per bracket. (F34.1 and F34.2)

F34.1



F34.2



Components

- 2 x 45° Twist Bracket LT
- 2 x 45° Twist Bracket RT

Hardware

- 16 x #12 x 1-1/2" Pan Screw

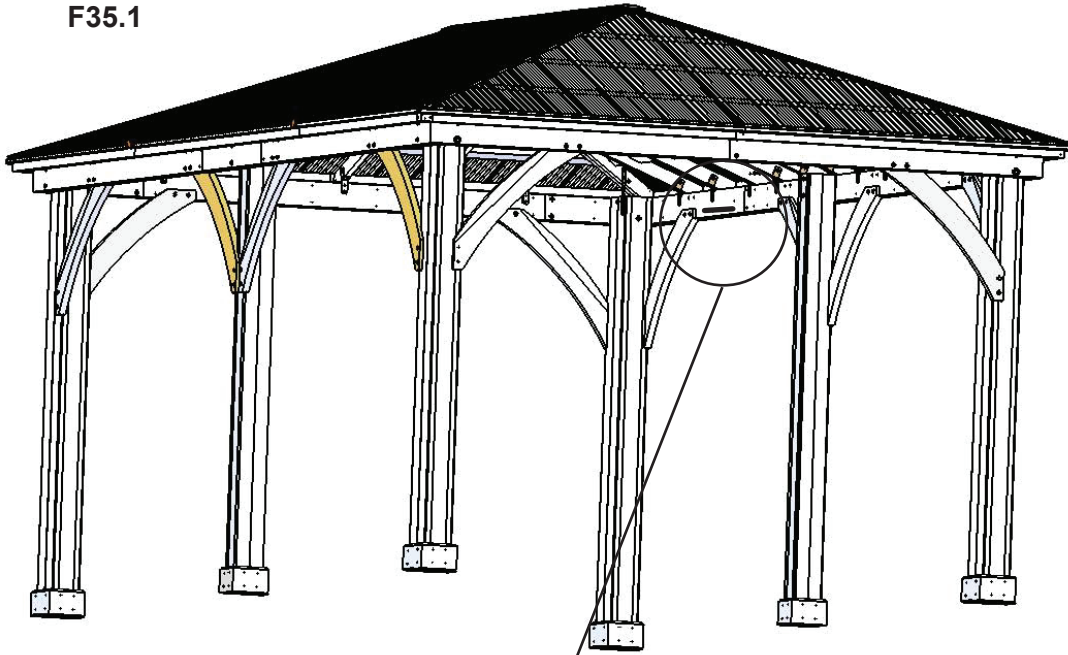


Step 35: Metal Hooks and Plaque

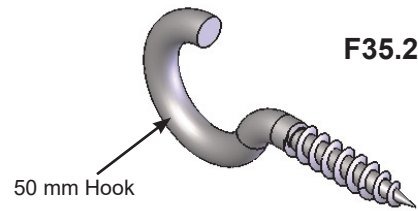
A: Two 50 mm Hooks are included with this unit for attaching wiring. They can be placed anywhere along the Rafters as needed. Pre-drill with a 1/8" drill bit before installing. (F35.1 and F35.2)

B: Attach Gazebo ID Plaque to a prominent location on your gazebo with two #8 x 1" Pan Screws. This provides warnings concerning safety and important contact information. A tracking number is provided to allow you to get critical information or order replacement parts for this specific model. (F35.1 and F35.3)

F35.1

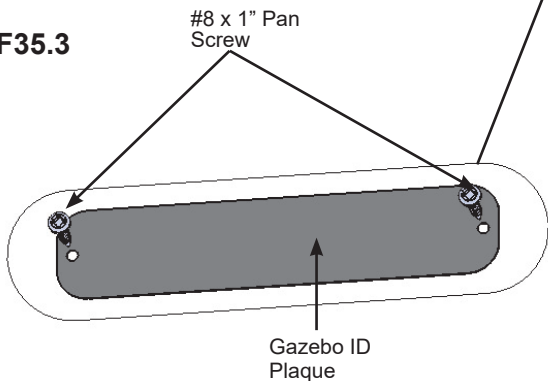


F35.2



50 mm Hook

F35.3



#8 x 1" Pan Screw

Gazebo ID Plaque

Note: We have provided two 50 mm hooks for optional use to hold in place any wires if required. These hooks are not designed to hold any heavy products such as lights, flower pots, etc.

Components

1 x Gazebo ID Plaque

Hardware

2 x 50 mm Hooks
2 x #8 x 1" Pan Screw



Yardistry® 375 Sligo Road West, P.O. Box 10, Mount Forest, ON Canada NOG 2L1

Distributed by:
Costco Wholesale Corporation
P.O. Box 34535
Seattle, WA 98124-1535
USA
1-800-774-2678
www.costco.com

Costco Wholesale Canada Ltd.*
415 W. Hunt Club Road
Ottawa, Ontario
K2E 1C5, Canada
1-800-463-3783
www.costco.ca
* faisant affaire au Québec sous
le nom les Entrepôts Costco

Importado por:
Importadora Primex S.A. de C.V.
Blvd. Magnocentro No. 4
San Fernando La Herradura
Huixquilucan, Estado de México
C.P. 52765
RFC: IPR-930907-S70
(55)-5246-5500
www.costco.com.mx

Costco Wholesale Australia Pty Ltd
17-21 Parramatta Road
Lidcombe NSW 2141
Australia
www.costco.com.au

Costco Wholesale UK Ltd /
Costco Online UK Ltd Hartspring
Lane
Watford, Herts
WD25 8JS
United Kingdom
01923 213113
www.costco.co.uk

Costco Wholesale Spain S.L.U.
Polígono Empresarial Los Gavilanes
C/ Agustín de Betancourt, 17
28906 Getafe (Madrid) España
NIF: B86509460
900 111 155
www.costco.es

Costco Wholesale Iceland ehf.
Kauptún 3-7, 210 Gardabaer
Iceland
www.costco.is

Costco France
1 avenue de Bréhat
91140 Villebon-sur-Yvette
France
01 80 45 01 10
www.costco.fr

Costco Wholesale Japan Ltd.
2 Kakuchi, 2 Gaiku, Kaneda-Nishi
361 Urigura, Kisarazu shi
Chiba, 292-0007 Japan
0570-200-800
www.costco.co.jp

Costco Wholesale Korea, Ltd.
40, Iijik-ro
Gwangmyeong-si
Gyeonggi-do, 14347, Korea
1899-9900
www.costco.co.kr

Costco Wholesale New Zealand Limited
2 Gunton Drive
Westgate
Auckland 0814
New Zealand

Costco (China) Investment Co., Ltd.
Room 1003, Block 2, 2388 Xiupu Road,
Pudong New Area, Shanghai
China 201315
+86-21-6257-7065

Costco Wholesale Sweden AB
Box 614
114 11 Stockholm
Sweden
www.costco.se

AUSTRALIA: Our goods come with guarantees that cannot be excluded under the Australian Consumer Law. You are entitled to a replacement or refund for a major failure and for compensation for any other reasonably foreseeable loss or damage. You are also entitled to have the goods repaired or replaced if the goods fail to be of acceptable quality and the failure does not amount to a major failure.

AUSTRALIE : Nos articles sont offerts avec des garanties qui ne peuvent connaître d'exclusions au regard de la loi australienne sur la protection des consommateurs. Vous avez droit au remplacement ou au remboursement en cas de défaillance majeure de votre article ainsi qu'à une compensation en cas de perte ou de dommage prévisible. Vous avez aussi droit à la réparation ou au remplacement de l'article s'il n'est pas d'une qualité acceptable et que la défaillance n'est pas majeure.

AUSTRALIA: Nuestros productos cuentan con garantías que no se pueden excluir bajo las Leyes del Consumidor de Australia. Usted tiene derecho a un cambio o devolución en caso de un fallo importante ya una compensación por cualquier otra pérdida o daño razonablemente previsible. También tiene derecho a la reparación o reemplazo de los bienes, si éstos no cumplen con una calidad aceptable y el fallo no constituye un fallo importante.



Customer Registration Card - Tarjeta de Registro del Cliente - Carte d'inscription du client

First Name - Primer Nombre - Prénom	Initial - Inicial - Initiale	Last Name - Apellido - Nom de famille

Street - Calle - Rue	PO Box - Casilla postal - Boîte postale	Apt. No. - App.

City - Ciudad - Ville	State/Province - Estado/Provincia - État/Province

ZIP/Postal Code - Código Postal - ZIP/Code postal	Country - País - Pays

E-mail Address - Dirección de E-mail - Adresse courriel	Telephone Number - No. de Teléfono - N° de téléphone

Model Name - Nombre del Modelo - Nom du modèle	Model Number (from front cover) - Número de Modelo (de la portada) - N° du modèle (page de couverture)

Date of Purchase - Fecha de Compra - Date d'achat (mm/dd/yyyy) (mm/dd/aaaa) (mm/jj/aaaa)	Place of Purchase - Comprado a - Lieu d'achat

Comments - Comentarios - Commentaires:

Mail To - Enviar por Correo a - Envoyer par courrier à:

Yardistry
375 Sligo Road West, PO Box 10
Mount Forest, Ontario, Canada, N0G 2L0
Attention: Consumer Relations
Atención a: Servicio de Atención al Cliente
À l'attention de: Service à la clientèle

Online Registration - Registro online - Enregistrement en ligne:

www.yardistrystructures.com/warranty

Regular Hours: Mon - Fri, 8:30 am - 5:00 pm EST
(excl. holidays)

(For extended hours see our website)
English and French Spoken

Yardistry would like to say "Thank you" for your time and feedback.

Yardistry quiere "Agradecerle" por su tiempo y su opinión.

Yardistry aimerait vous remercier d'avoir pris le temps de répondre au sondage.