

INSTALLATION MANUAL GARDEN SCREEN WITH PLANTERS

YM11658



YARDISTRY

Yardistry

Mount Forest, ON Canada N0G 2L0

Toll Free Customer Support: 1.888.509.4382

info@yardistrystructures.com

www.yardistrystructures.com

Revised 14-01-2014

IMPORTANT SAFETY NOTICE!

- Yardistry components are intended for privacy, decorative and ornamental use only.

Product is NOT INTENDED for the following:

- A safety barrier to prevent unsupervised access to pools, hot tubs, spas, or ponds.
- Safety railings for elevated platforms or decks.
- As load bearing support for a building, structure, heavy objects or swings.
- Used in structures that trap wind, rain or snow that would create extra load on the product.

Wood is NOT flame retardant and will burn. Grills, fire pits and chimineas are a fire hazard if placed too close to a Yardistry structure. Consult user's manual of the grill, fire pit or chiminea for safe distances from combustible materials.

Wear gloves to avoid injury from possible sharp edges of individual elements before assembly.

During installation, follow all safety warnings provided with your tools and use OSHA approved safety glasses. Some structures may require two or more people to install safely.

Limited Warranty

Yardistry warrants that this product is free from defect in materials and workmanship for a period of one year from the original date of purchase. In addition, all lumber is warranted for 5 years against rot and decay. This warranty applies to the original owner and registrant and is non-transferable.

Regular maintenance is required to assure the integrity of your product and is a requirement of the warranty. This warranty does not cover any inspection cost.

This Limited Warranty does not cover:

- Labor for replacement of any defective item(s);
- Incidental or consequential damages;
- Cosmetic defects which do not affect performance or integrity;
- Vandalism; improper use or installation; acts of nature;
- Acts of nature including but not limited to wind, storms, hail, floods, excessive water exposure;
- Minor twisting, warping, checking, or any other natural occurring properties of wood that do not affect performance or integrity.

Yardistry products have been designed for safety and quality. Any modifications made to the original product could damage the structural integrity of the product leading to failure and possible injury. Yardistry cannot assume any responsibility for modified products. Furthermore, modification voids any and all warranties.

This product is warranted for RESIDENTIAL USE ONLY. Yardistry disclaims all other representations and warranties of any kind, express or implied.

This Warranty gives you specific legal rights. You may have other rights as well which vary from state to state or province to province. This warranty excludes all consequential damages, however, some states do not allow the limitation or exclusion of consequential damages, and therefore this limitation may not apply to you.

Instructions for Proper Maintenance

Your Yardistry structure is designed and constructed of quality materials. As with all outdoor products it will weather and wear. To maximize the enjoyment, safety and life of your structure it is important that you, the owner, properly maintain it.

HARDWARE:

- Check metal parts for rust. If found, sand and repaint using a non-lead paint complying with 16 CFR 1303.
- Inspect and tighten all hardware after completion of assembly; after first month of use; and then annually. Do not over-tighten as to cause crushing and splintering of wood.
- Check for sharp edges or protruding screw threads, add washers if required.

WOOD PARTS:

- Unprotected they will appear weathered over time. Periodic application of an exterior water repellent or stain (water-based) will help improve appearance and life.
- Check all wood members for deterioration, structural damage and splintering. Sand down splinters and replace deteriorated wood members. As with all wood, some checking and small cracks in grain is normal.

General Information

General Information: Wood components are manufactured with Cedar (C. Lanceolata) which is protected with factory applied water-based stain. Knots, small checks (cracks) and weathering are naturally occurring and do not affect the strength of the product. Annual application of a water-based water repellent sealant or stain will help reduce weathering and checks.

www.yardistrystructures.com

Questions?

Call toll free or write us at:

1 (888) 509-4382

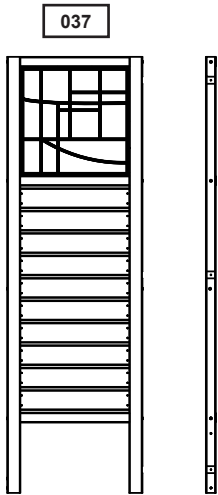
info@yardistrystructures.com

Patents Pending

Tools Required

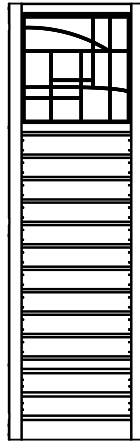
- Tape Measure
- Standard or Cordless Drill for Driver Bits.
- Phillips/Robertson Driver Bit or screwdriver
- Safety Glasses
- Gloves

Part Identification (Dimensions are approximate and are shown to assist in the identification of parts for assembly.)
 Actual dimensions may be smaller or larger.

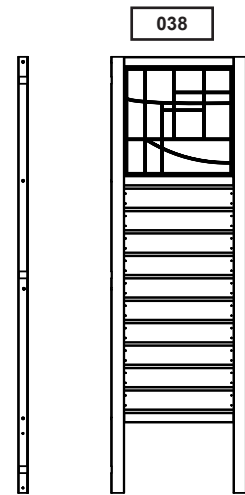


1pc. - Garden Screen CL - Y70119-037
 38.1 x 520.7 x 1676.4mm

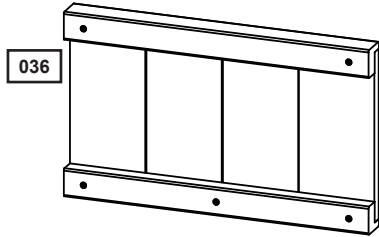
039



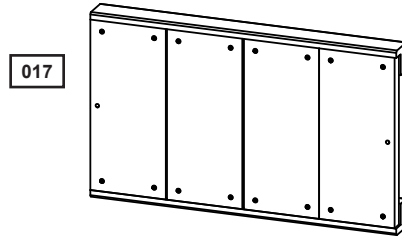
1pc. - Garden Screen D - Y70119-039
 38.1 x 520.7 x 1676.4mm



1pc. - Garden Screen CR - Y70119-038
 38.1 x 520.7 x 1676.4mm

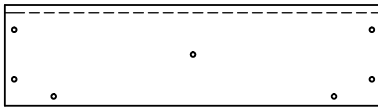


4pc. - Vertical Wall - Planter Box - Y70119-036
 38.1 x 250.8 x 417.5mm



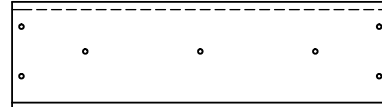
4pc. - Inside Wall - Planter Box - Y70119-017
 38.1 x 250.8 x 419.1mm

142



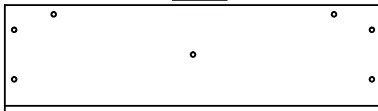
2pc. - Base Board End - Y50119-142
 15.9 x 103.3 x 385.8mm

143



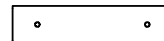
4pc. - T&G Base Board - Y50119-143
 15.9 x 109.7 x 385.8mm

136



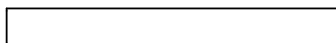
2pc. - T Base Board - Y50119-136
 15.9 x 109.7 x 385.8mm

134



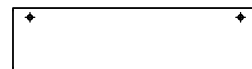
16pc. - Frame Rail - Adjustable - Y50119-134
 19.1 x 38.1 x 163.5mm

135



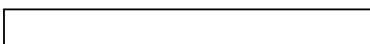
4pc. - End Support - Y50119-135
 19.1 x 38.1 x 341.3mm

133



8pc. - Frame Stile - Y50119-133
 19.1 x 63.5 x 250.8mm

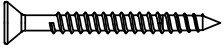
146



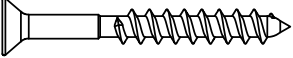
2pc. - Base Support - Y50119-146
 38.1 x 38.1 x 379.4mm

Hardware Identification (Dimensions are approximate and are shown to assist in the identification of parts for assembly. Actual dimensions may be smaller or larger.)

56pc. - Wood Screw #6 x 1-1/8" - (Y06427-914)



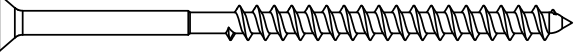
48pc. - Wood Screw #8 x 1-1/2" - (Y06427-512)



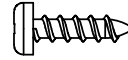
16pc. - Wood Screw #8 x 2-1/2" - (Y06427-522)



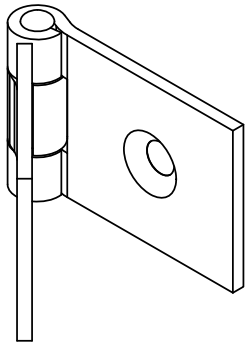
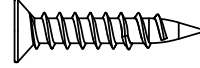
12pc. - Wood Screw #8 x 3" - (Y06427-530)



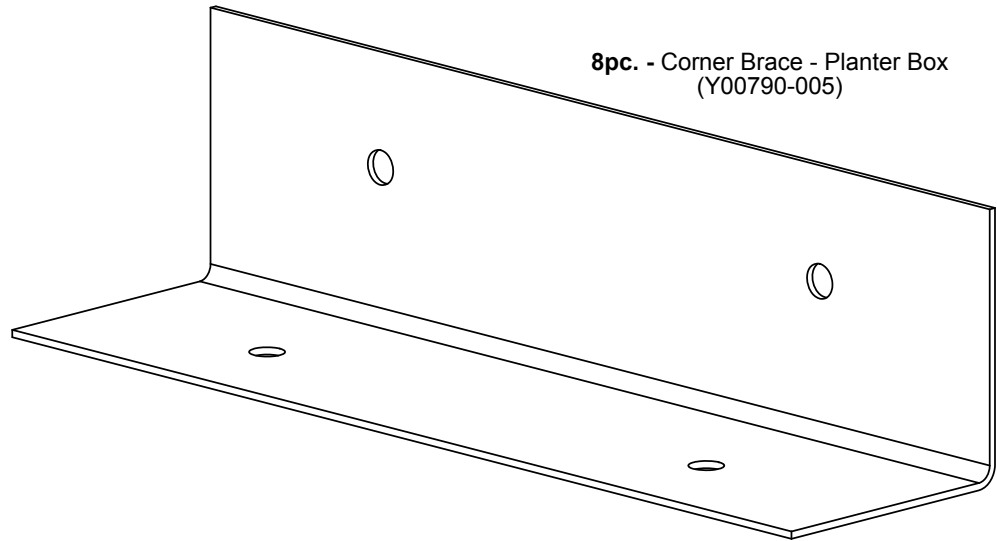
32pc. - Pan Screw #6 x 5/8" - (Y06427-908)



12pc. - Wood Screw #10 x 1" - (Y06427-710)

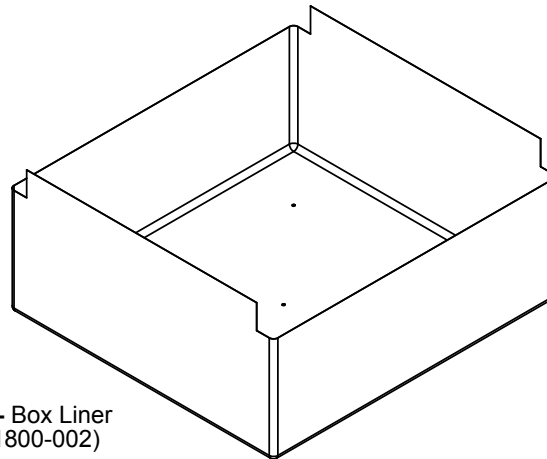


6pc. - Hinge - Planter Screen
(Y00419-014)

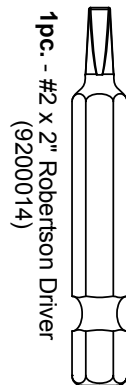


8pc. - Corner Brace - Planter Box
(Y00790-005)

Accessory Identification (Reduce Part Size)



2pc. - Box Liner
(Y61800-002)



1pc. - #2 x 2" Robertson Driver
(9200014)

STEP 1- ATTACH INSIDE WALLS

A. Attach 1 (142) Base Board End to the ledge of the (017) Inside Wall Assemblies, using 4 (YS27) #6 x 1-1/8" wood screws as shown below. Be sure it is flush to the edge. (Fig. 1.1 and 1.2)

B. Attach 2 (143) T&G Base Board to the ledge of the (017) Inside Wall Assemblies, using 4 (YS27) #6 x 1-1/8" wood screws per board. (Fig. 1.1)

C. Attach 1 (136) T Base Board to the ledge of the (017) Inside Wall Assemblies, using 4 (YS27) #6 x 1-1/8" wood screws per board. Be sure it is flush to the edge. (Fig. 1.1 and 1.2)

Repeat for 2 assemblies

Fig. 1.1

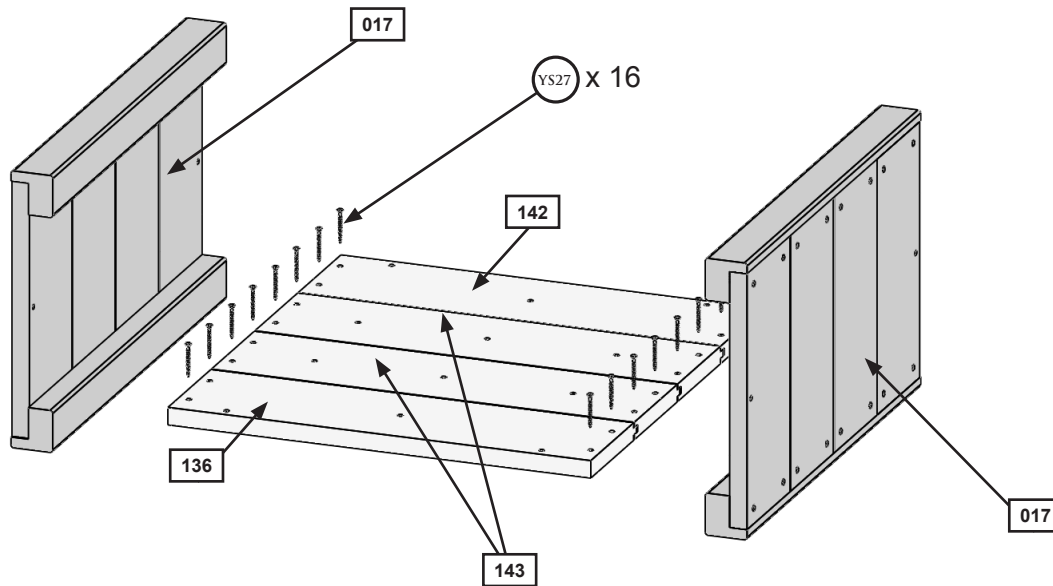
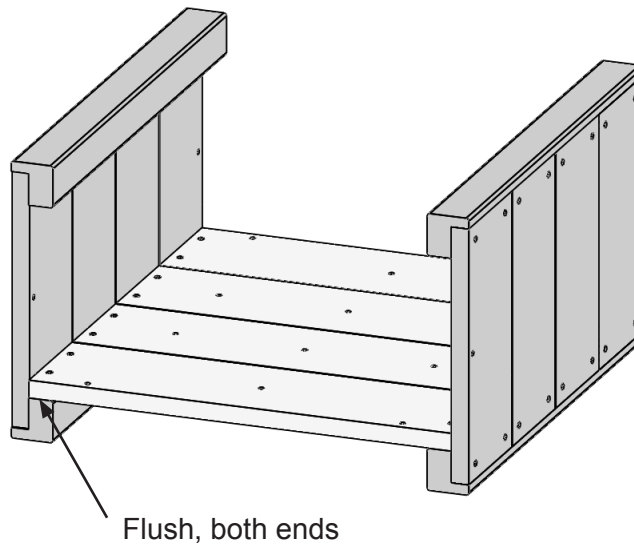


Fig. 1.2



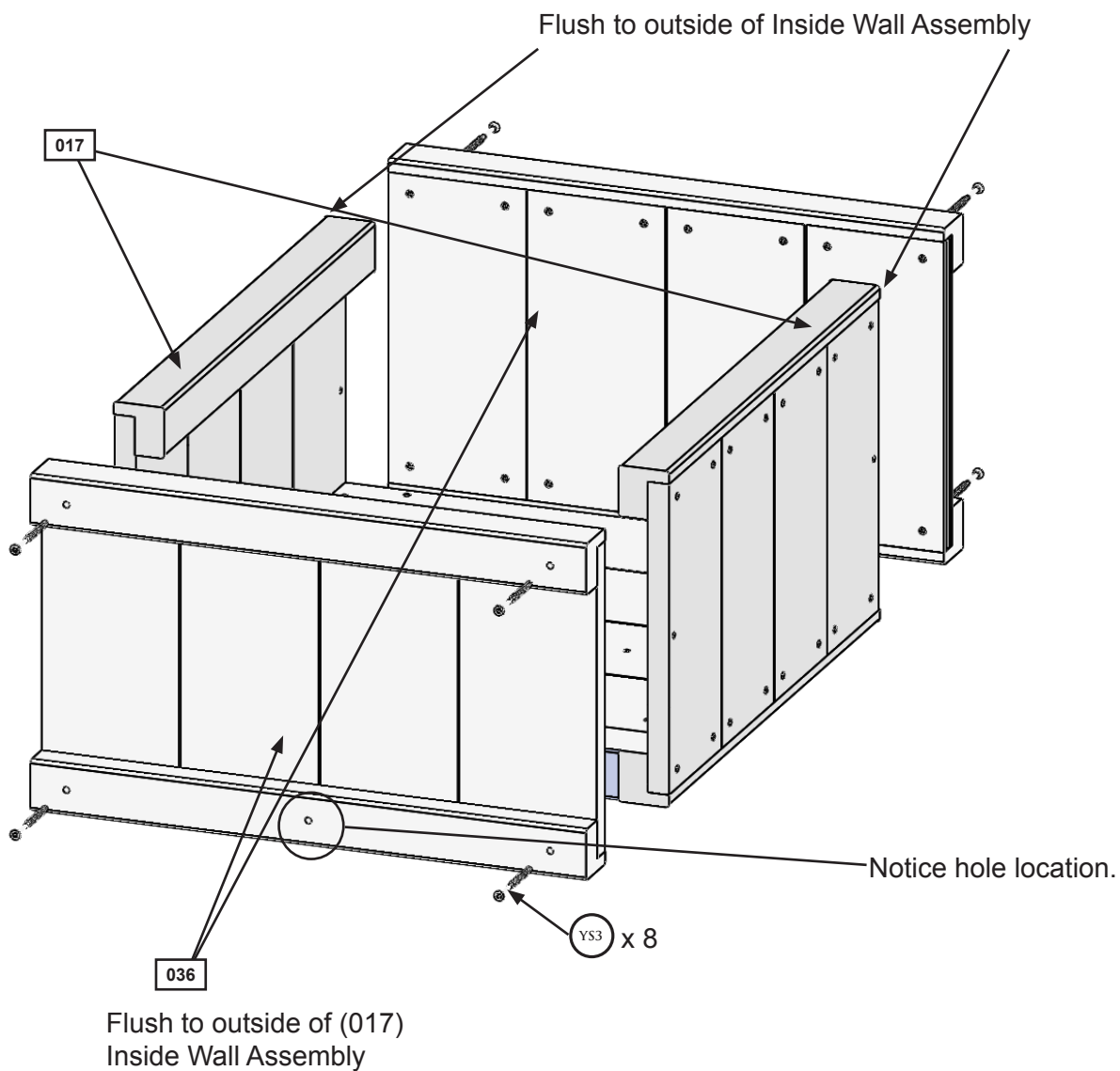
- 2 X **136** T BASE BOARD (15.9 X 109.6 X 385.8 MM)
- 2 X **142** BASE BOARD END (15.9 X 103.3 X 385.8 MM)
- 4 X **017** INSIDE WALL ASSEMBLY (38.1 X 250.8 X 419.1MM)
- 4 X **143** T&G BASE BOARD (15.9 X 109.6 X 385.8 MM)

32 X **YS27** #6 X 1-1/8" WOOD SCREW

STEP 2 - ATTACH OUTSIDE WALLS

A. Flush to the outside of (017) Inside Wall Assembly, attach 2 (036) Vertical Wall Assembly using 4 (YS3) #8 x 2-1/2" wood screws per assembly as shown below.

Repeat for 2 assemblies



4 X **036** VERTICAL WALL ASSEMBLY (38.1 X 250.8 X 417.5 MM)

16 X **YS3** #8 X 2-1/2" WOOD SCREW

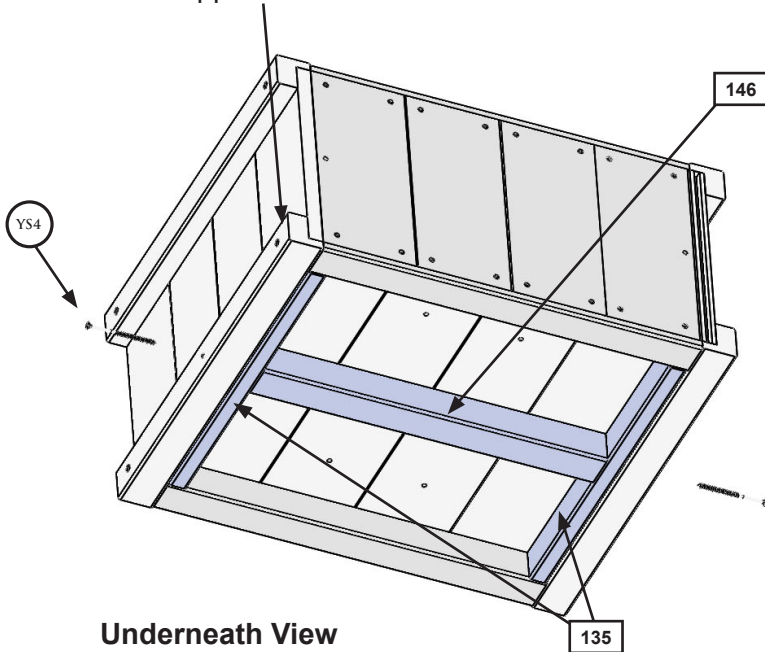
STEP 3 - ATTACH SUPPORTS TO BOX

- A. Place 2 (135) End Supports and 1 (146) Base Support as shown in Fig. 3.1 and attach using 1 (YS4) #8 x 3" wood screw through each (036) Vertical Wall Assemblies. (Fig. 3.1)
- B. Then from the inside of the box, secure with 8 (YS27) #6 x 1-1/8" wood screws. (Fig. 3.2)

Repeat for 2 assemblies

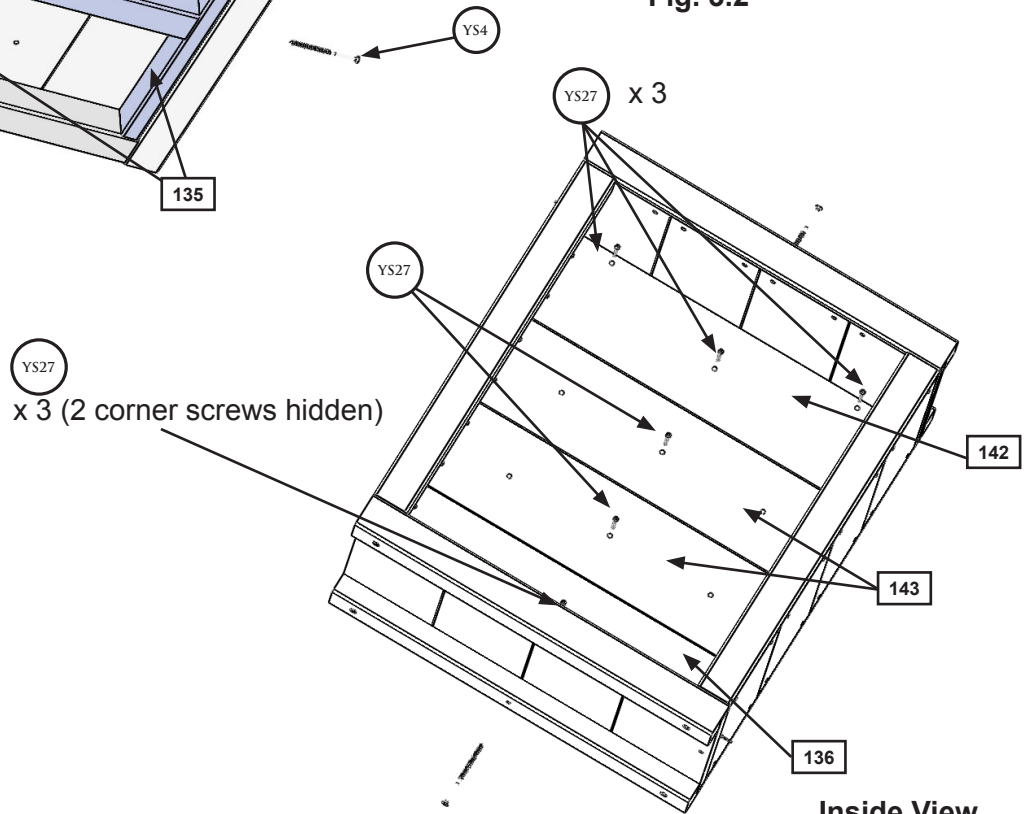
Fig. 3.1

May have to loosen these screws for the supports to fit



Underneath View

Fig. 3.2



Inside View

4 X **135** END SUPPORT (19.1 X 38.1 X 341.3 MM)
 2 X **146** BASE SUPPORT (38.1 X 38.1 X 379.4 MM)

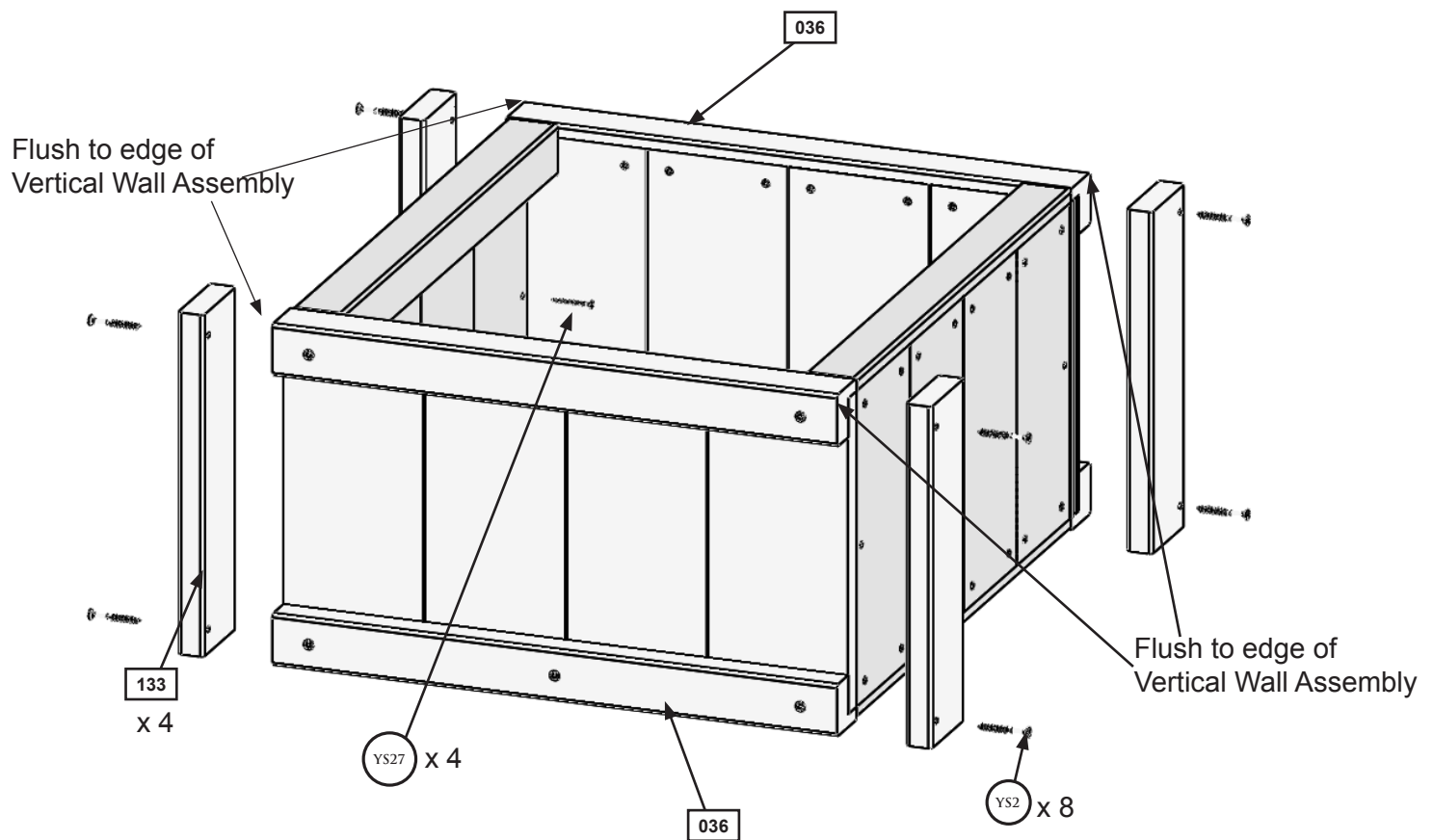
4 X **YS4** #8 X 3" WOOD SCREW
 16 X **YS27** #6 X 1-1/8" WOOD SCREW

STEP 4 - ATTACH FRAME STILES TO BOX

A. Attach 4 (133) Frame Stiles flush to the edge of (036) Vertical Wall Assembly using 2 (YS2) #8 x 1-1/2" Wood Screws per Frame Stile.

B. Secure the (017) Inside Wall Assemblies to the (133) Frame Stile from the inside using 4 (YS27) #6 x 1-1/8" wood screws.

Repeat for 2 assemblies



8 X **133** FRAME STILE (19.1 X 63.5 X 250.8 MM)

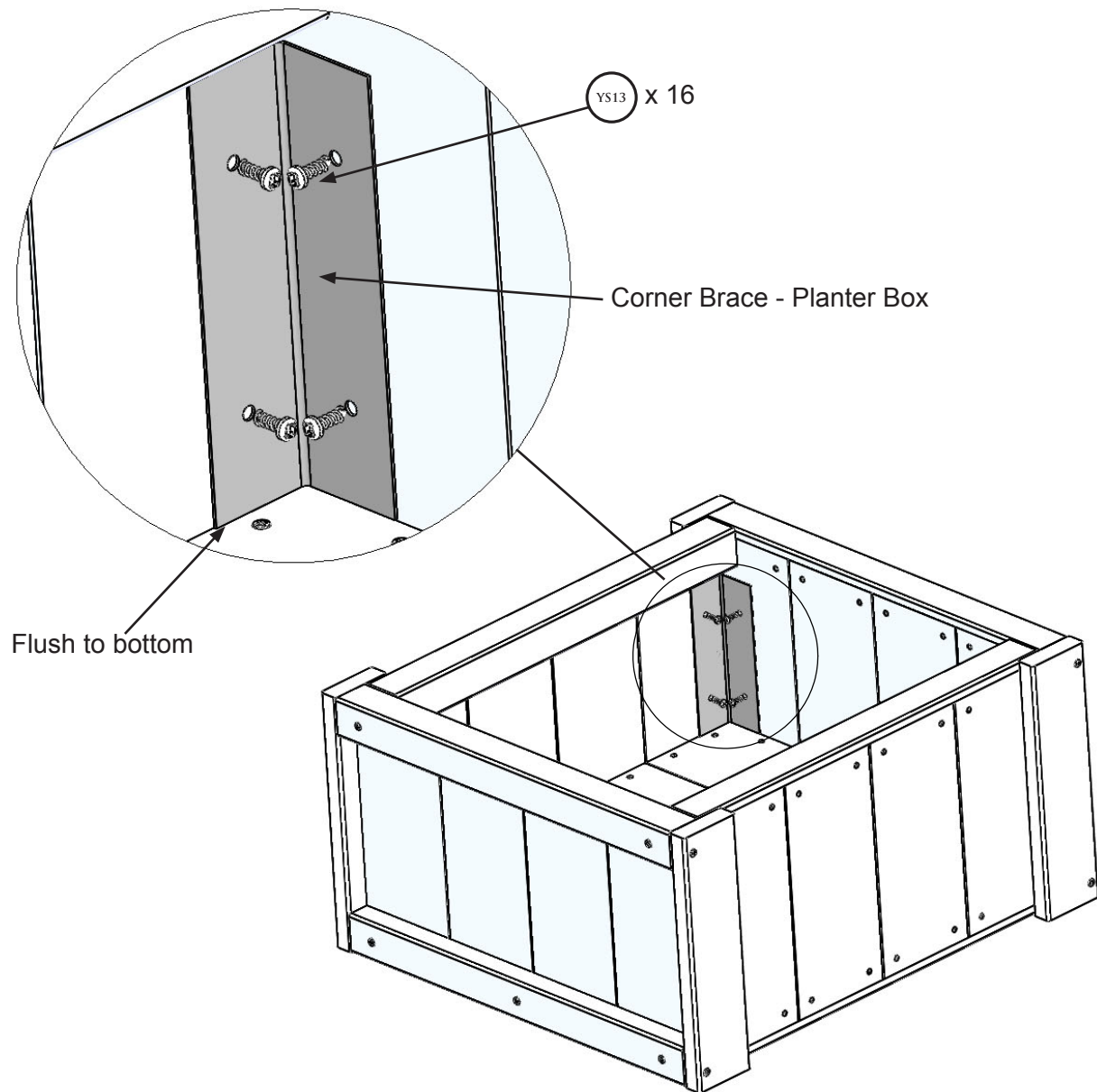
8 X **YS27** #6 X 1-1/8" WOOD SCREW

16 X **YS2** #8 X 1-1/2" WOOD SCREW

STEP 5 - ATTACH CORNER BRACES

A. Attach 4 Corner Braces to each (017) Inside Wall Assembly and (036) Vertical Wall Assembly as shown below. Use 4 (YS13) #6 x 5/8" Pan Screws per Corner Brace, ensuring that they are flush to the bottom.

Repeat for 2 assemblies



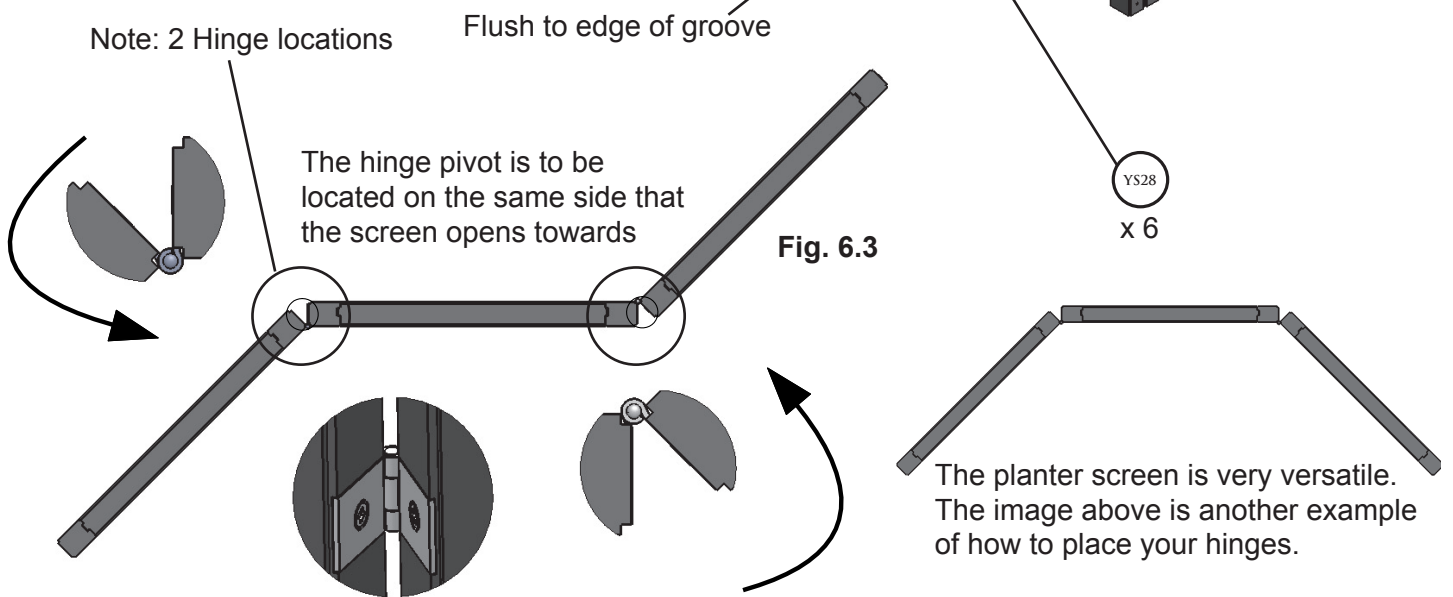
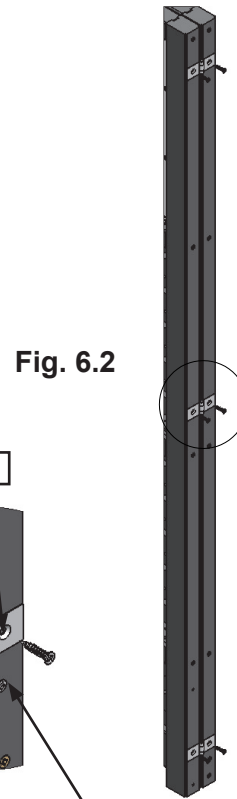
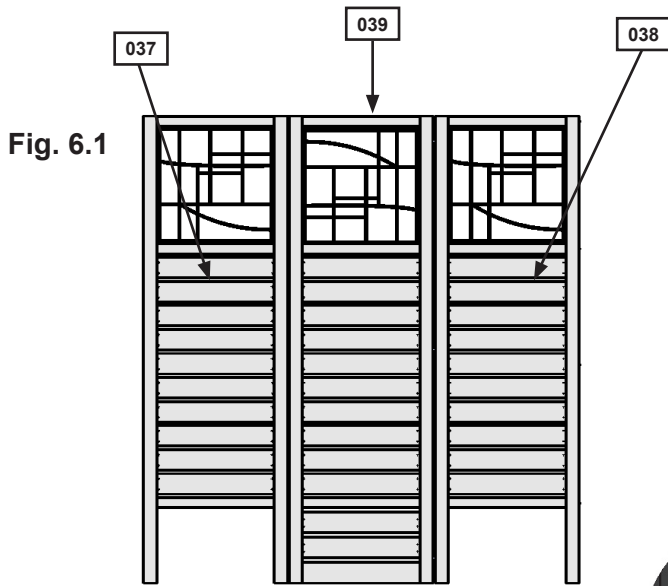
32 X $\text{\textcircled{YS13}}$ #6 X 5/8" PAN HEAD SCREW

8 X CORNER BRACE

STEP 6 - ASSEMBLE SCREENS

A. Before assembling the screens, determine what the final orientation will be.

B. Place 2 of the screens side by side as shown in Fig. 6.1 and 6.2, and attach 3 Hinges to the Garden Screens using 2 (YS28) #10 x 1" Wood Screws per hinge. Ensure that the hinges are flush to the edge of the groove. *Repeat on opposite side.* Keep in mind that the hinge pivot is to be located on the same side that the screen opens toward. (Fig. 6.3)



- 1 X 037 GARDEN SCREEN CL (38.1 X 520.7 X 1676.4 MM)
- 1 X 039 GARDEN SCREEN D (38.1 X 520.7 X 1676.4 MM)
- 1 X 038 GARDEN SCREEN CR (38.1 X 520.7 X 1676.4 MM)
- 6 X 014 HINGE - PLANTER SCREEN

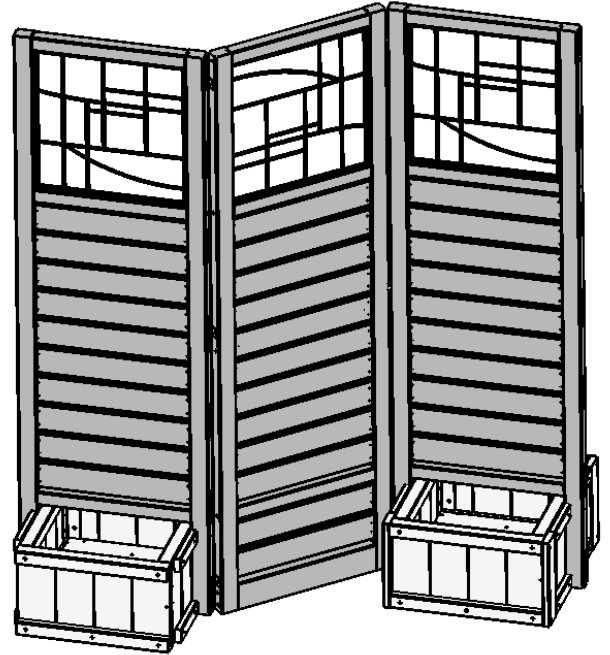
- 12 X YS28 #10 X 1" WOOD SCREW

STEP 7 - ATTACH PLANTER BOX

A. Determine Planter Box orientation.

B. Install Planter Box Rails according to desired orientation.

C. Once you decide which orientation you will be using (i.e Planter Box Centred or Planter Box Offset), attach 8 (134) Frame Rail to the (017) Inside Assemblies as shown below, using 2 (YS2) #8 x 1-1/2" wood screws per Frame Rail Adjustable.

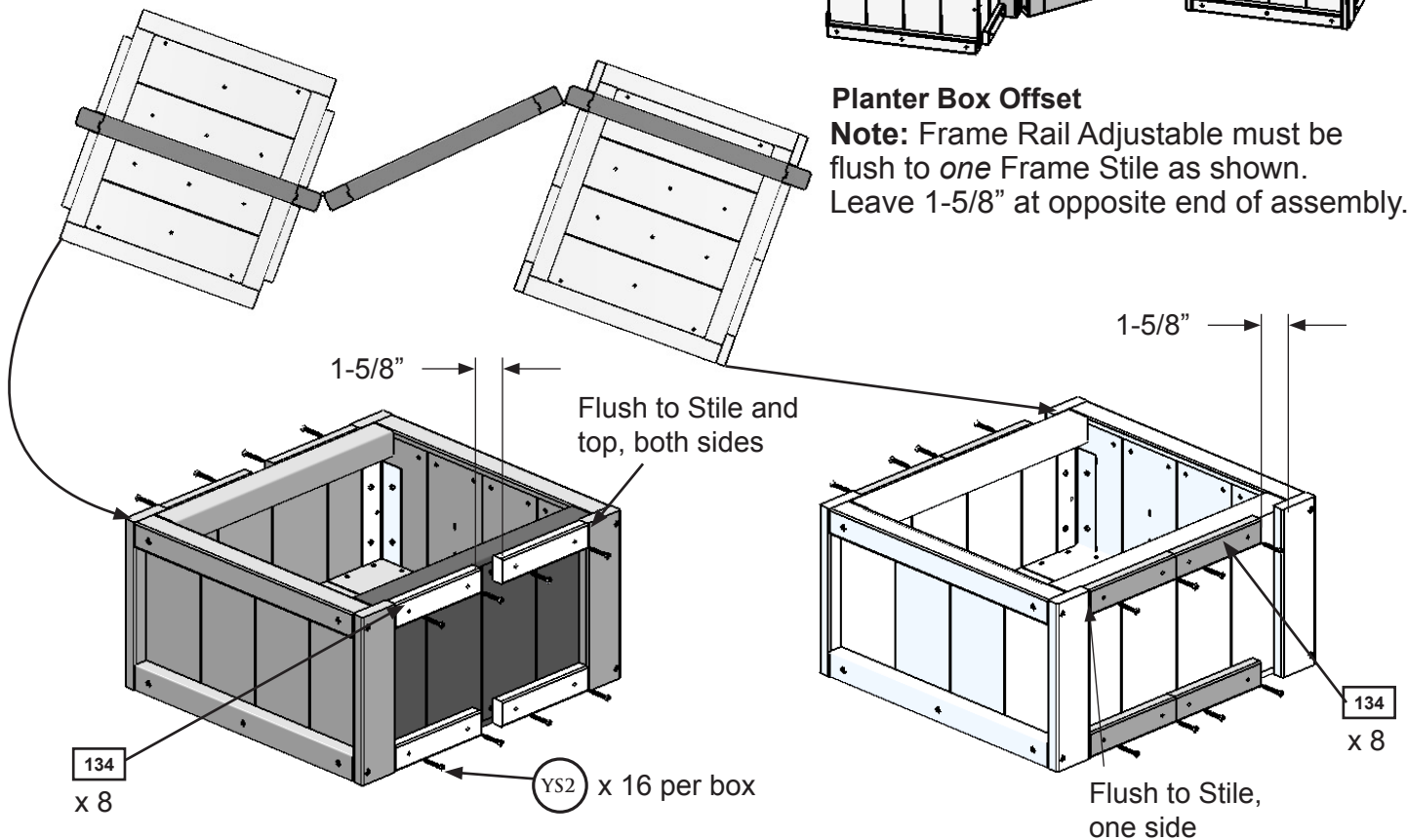


Planter Box Centred

Note: Frame Rail Adjustable must be flush to *both* Frame Stile as shown. Leave 1-5/8" in between Frame Rail Adjustable.

Planter Box Offset

Note: Frame Rail Adjustable must be flush to *one* Frame Stile as shown. Leave 1-5/8" at opposite end of assembly.



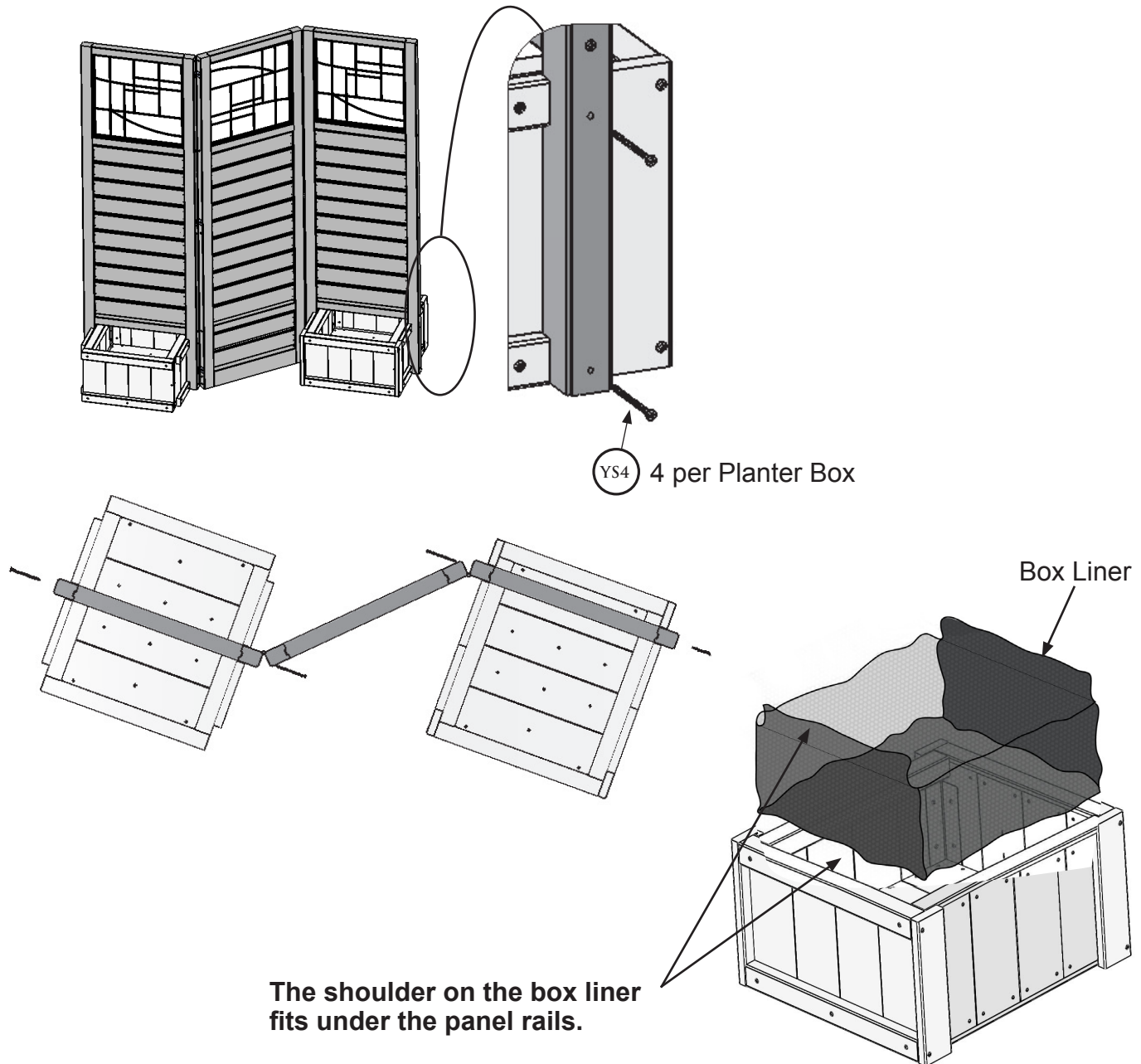
16 X 134 FRAME RAIL ADJUSTABLE (19.1 X 38.1 X 163.5 MM)


32 X YS2 #8 X 1-1/2" WOOD SCREW

STEP 8 - ATTACH PLANTER BOXES TO GARDEN SCREENS AND PLACE BOX LINER

1. Attach Planter Boxes to Garden Screens using 4 (YS4) #8 x 3" Wood screws per Planter Box as shown below.
2. Place 1 Box Liner into each assembled Planter Box. Be sure to note that the shoulder on the box liner fits under the Panel Rails.

Note: Fill with dirt immediately to prevent wind blow over.



8 X  #8 X 3" WOOD SCREW

2 X BOX LINER

YARDISTRY
Consumer Registration Card

First Name _____ Initial _____ Last Name _____

Street _____ Apt. No. _____

City _____ State/Province _____ ZIP/Postal Code _____

Country _____ Telephone Number _____

E-Mail Address _____

Model Name _____ Model Number _____ (Box Labels) _____

Date Purchase _____ Purchased From _____
MM / DD / YY

How would you rate this product for quality?
 Excellent Very Good Average Below Average Poor

How would you rate this product for ease of assembly?
 Excellent Very Good Average Below Average Poor

How would you rate our instructions?
 Excellent Very Good Average Below Average Poor

How would you rate the quality of packaging?
 Excellent Very Good Average Below Average Poor

Would you recommend the purchase of our products to friends and family?
 Yes No

Comments:

MAIL TO:
Yardistry c/o Solowave Design™
375 Sligo Road W.
Mount Forest, Ontario, Canada
N0G 2L0
Attention: Customer Service



Yardistry would like to say Thank You for your time and feedback.