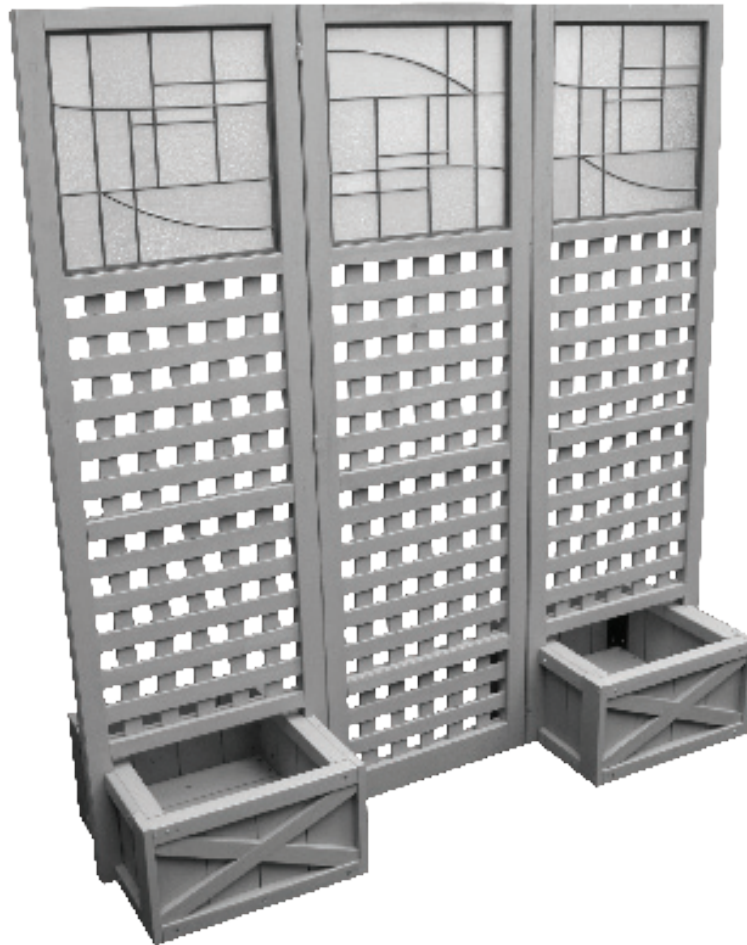


# INSTALLATION MANUAL PRIVACY SCREEN WITH PLANTERS

YM11615



# YARDISTRY

Yardistry

Mount Forest, ON Canada N0G 2L0

Toll Free Customer Support: 1.888.509.4382

[info@yardistrystructures.com](mailto:info@yardistrystructures.com)

[www.yardistrystructures.com](http://www.yardistrystructures.com)

Revised 14-01-2014

## **IMPORTANT SAFETY NOTICE!**

- Yardistry components are intended for privacy, decorative and ornamental use only.

**Product is NOT INTENDED for the following:**

- A safety barrier to prevent unsupervised access to pools, hot tubs, spas, or ponds.
- Safety railings for elevated platforms or decks.
- As load bearing support for a building, structure, heavy objects or swings.
- Used in structures that trap wind, rain or snow that would create extra load on the product.

**Wood is NOT flame retardant and will burn.** Grills, fire pits and chimineas are a fire hazard if placed too close to a Yardistry structure. Consult user's manual of the grill, fire pit or chiminea for safe distances from combustible materials.

**Wear gloves to avoid injury** from possible sharp edges of individual elements before assembly.

**During installation, follow all safety warnings provided with your tools and use OSHA approved safety glasses.** Some structures may require two or more people to install safely.

## Limited Warranty

Yardistry warrants that this product is free from defect in materials and workmanship for a period of one year from the original date of purchase. In addition, all lumber is warranted for 5 years against rot and decay. This warranty applies to the original owner and registrant and is non-transferable.

Regular maintenance is required to assure the integrity of your product and is a requirement of the warranty. This warranty does not cover any inspection cost.

**This Limited Warranty does not cover:**

- Labor for replacement of any defective item(s);
- Incidental or consequential damages;
- Cosmetic defects which do not affect performance or integrity;
- Vandalism; improper use or installation; acts of nature;
- Acts of nature including but not limited to wind, storms, hail, floods, excessive water exposure;
- Minor twisting, warping, checking, or any other natural occurring properties of wood that do not affect performance or integrity.

Yardistry products have been designed for safety and quality. Any modifications made to the original product could damage the structural integrity of the product leading to failure and possible injury. Yardistry cannot assume any responsibility for modified products. Furthermore, modification voids any and all warranties.

**This product is warranted for RESIDENTIAL USE ONLY. Yardistry disclaims all other representations and warranties of any kind, express or implied.**

*This Warranty gives you specific legal rights. You may have other rights as well which vary from state to state or province to province. This warranty excludes all consequential damages, however, some states do not allow the limitation or exclusion of consequential damages, and therefore this limitation may not apply to you.*

# Instructions for Proper Maintenance

Your Yardistry structure is designed and constructed of quality materials. As with all outdoor products it will weather and wear. To maximize the enjoyment, safety and life of your structure it is important that you, the owner, properly maintain it.

## **HARDWARE:**

- Check metal parts for rust. If found, sand and repaint using a non-lead paint complying with 16 CFR 1303.
- Inspect and tighten all hardware after completion of assembly; after first month of use; and then annually. Do not over-tighten as to cause crushing and splintering of wood.
- Check for sharp edges or protruding screw threads, add washers if required.

## **WOOD PARTS:**

- Unprotected they will appear weathered over time. Periodic application of an exterior water repellent or stain (water-based) will help improve appearance and life.
- Check all wood members for deterioration, structural damage and splintering. Sand down splinters and replace deteriorated wood members. As with all wood, some checking and small cracks in grain is normal.

## **General Information**

**General Information:** Wood components are manufactured with Cedar (C. Lanceolata) which is protected with factory applied water-based stain. Knots, small checks (cracks) and weathering are naturally occurring and do not affect the strength of the product. Annual application of a water-based water repellent sealant or stain will help reduce weathering and checks.

[www.yardistrystructures.com](http://www.yardistrystructures.com)

Questions?

Call toll free or write us at:

1 (888) 509-4382

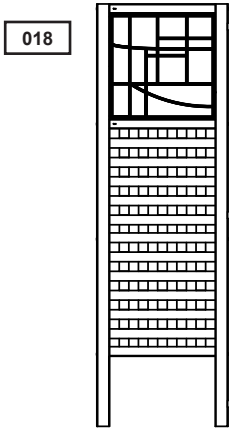
[info@yardistrystructures.com](mailto:info@yardistrystructures.com)

Patents Pending

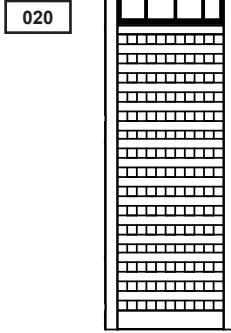
## **Tools Required**

- Tape Measure
- Standard or Cordless Drill for Driver Bits.
- Phillips/Robertson Driver Bit or screwdriver
- Safety Glasses
- Gloves

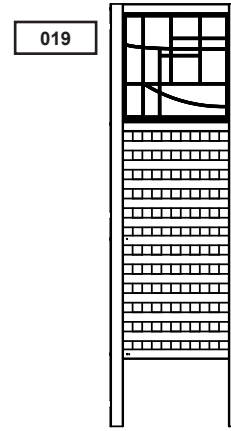
**Part Identification** ( Dimensions are approximate and are shown to assist in the identification of parts for assembly. )



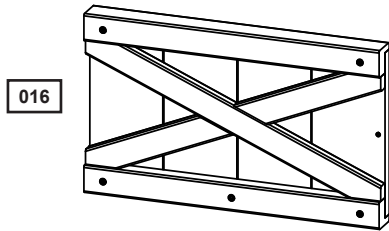
**1pc.** - Planter Screen AL - Y70119-018  
38.1 x 520.7 x 1676.4mm



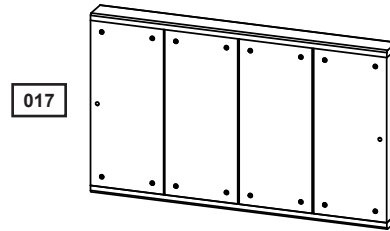
**1pc.** - Planter Screen B - Y70119-020  
38.1 x 520.7 x 1676.4mm



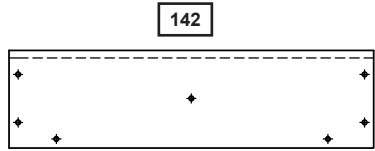
**1pc.** - Planter Screen AR - Y70119-019  
38.1 x 520.7 x 1676.4mm



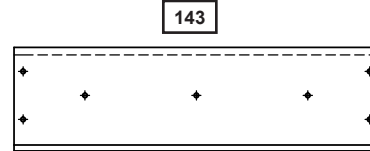
**4pc.** - Outside Wall - Planter Box - Y70119-016  
38.1 x 250.8 x 417.5mm



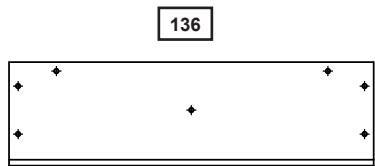
**4pc.** - Inside Wall - Planter Box - Y70119-017  
38.1 x 250.8 x 419.1mm



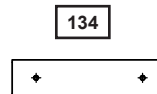
**2pc.** - Base Board End - Y50119-142  
15.9 x 103.3 x 385.8mm



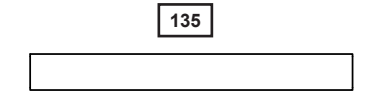
**4pc.** - T&G Base Board - Y50119-143  
15.9 x 109.6 x 385.8mm



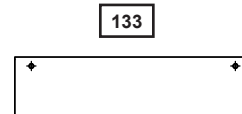
**2pc.** - T Base Board - Y50119-136  
15.9 x 109.6 x 385.8mm



**16pc.** - Frame Rail - Adjustable - Y50119-134  
19.1 x 38.1 x 163.5mm



**4pc.** - End Support - Y50119-135  
19.1 x 38.1 x 341.3mm



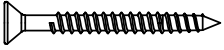
**8pc.** - Frame Stile - Y50119-133  
19.1 x 63.5 x 250.8mm



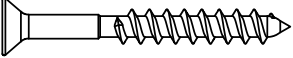
**2pc.** - Base Support - Y50119-146  
38.1 x 38.1 x 379.4mm

# Hardware Identification ( Dimensions are approximate and are shown to assist in the identification of parts for assembly. Actual dimensions may be smaller or larger. )

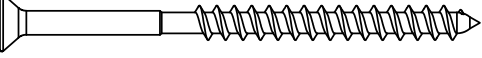
**56pc.** - Wood Screw #6 x 1-1/8" - (Y06427-914)



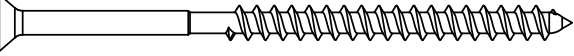
**48pc.** - Wood Screw #8 x 1-1/2" - (Y06427-512)



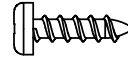
**16pc.** - Wood Screw #8 x 2-1/2" - (Y06427-522)



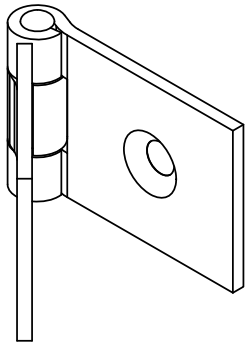
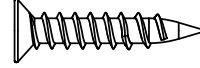
**12pc.** - Wood Screw #8 x 3" - (Y06427-530)



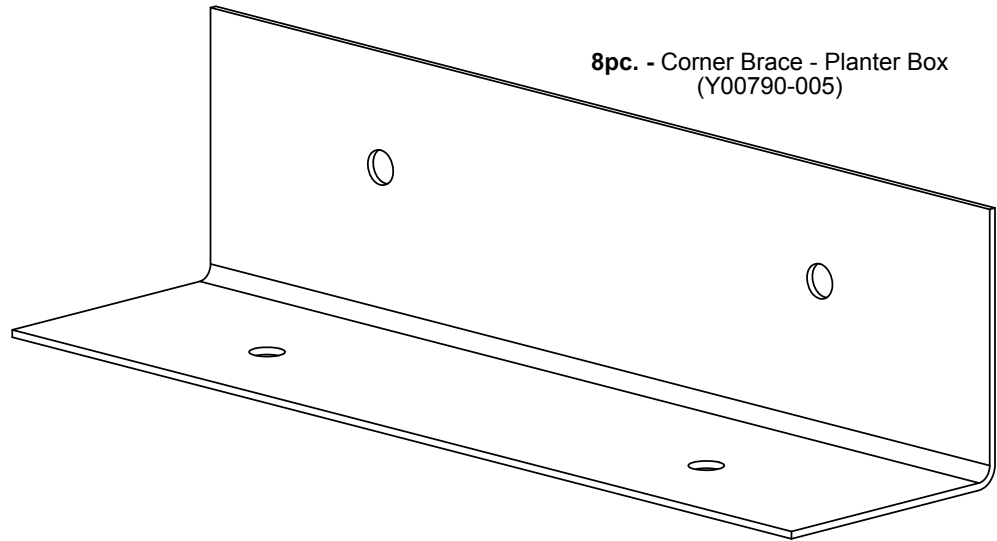
**32pc.** - Pan Screw #6 x 5/8" - (Y06427-908)



**12pc.** - Wood Screw #10 x 1" - (Y06427-710)

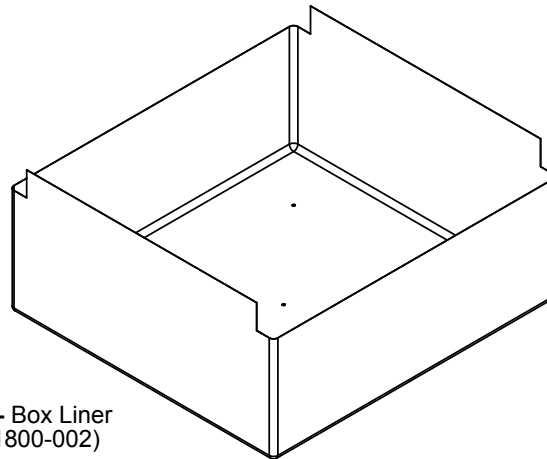


**6pc.** - Hinge - Planter Screen  
(Y00419-014)

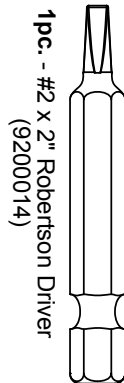


**8pc.** - Corner Brace - Planter Box  
(Y00790-005)

## Accessory Identification (Reduce Part Size)



**2pc.** - Box Liner  
(Y61800-002)



**1pc.** - #2 x 2" Robertson Driver  
(9200014)

# STEP 1- ATTACH INSIDE WALLS

A. Attach 1 (142) Base Board End to the ledge of the (017) Inside Wall Assemblies, using 4 (YS27) #6 x 1-1/8" wood screws as shown below. Be sure it is flush to the edge. (Fig. 1.1 and 1.2)

B. Attach 2 (143) T&G Base Board to the ledge of the (017) Inside Wall Assemblies, using 4 (YS27) #6 x 1-1/8" wood screws per board. (Fig. 1.1)

C. Attach 1 (136) T Base Board to the ledge of the (017) Inside Wall Assemblies, using 4 (YS27) #6 x 1-1/8" wood screws per board. Be sure it is flush to the edge. (Fig. 1.1 and 1.2)

## Repeat for 2 assemblies

Fig. 1.1

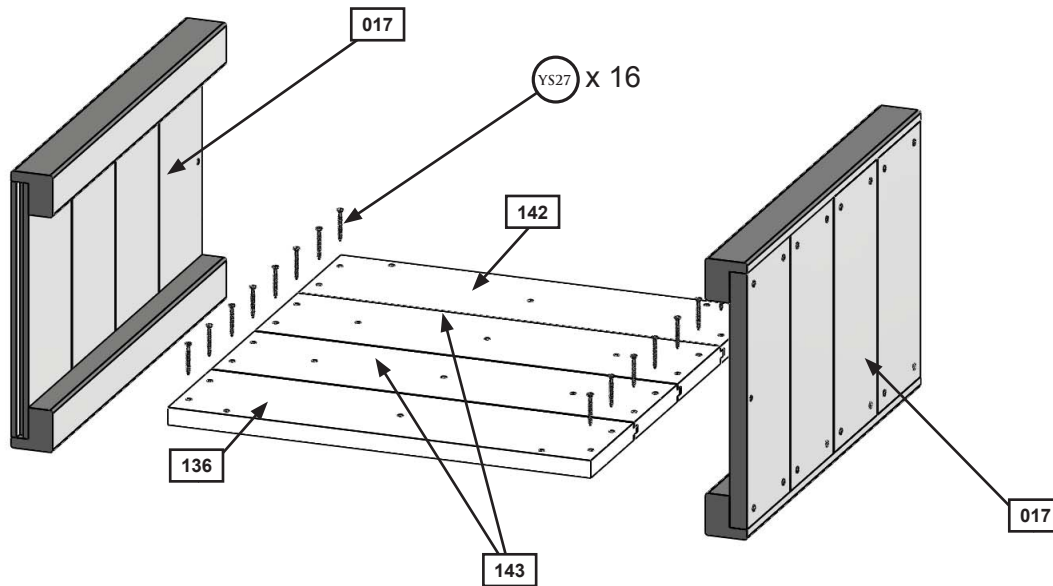
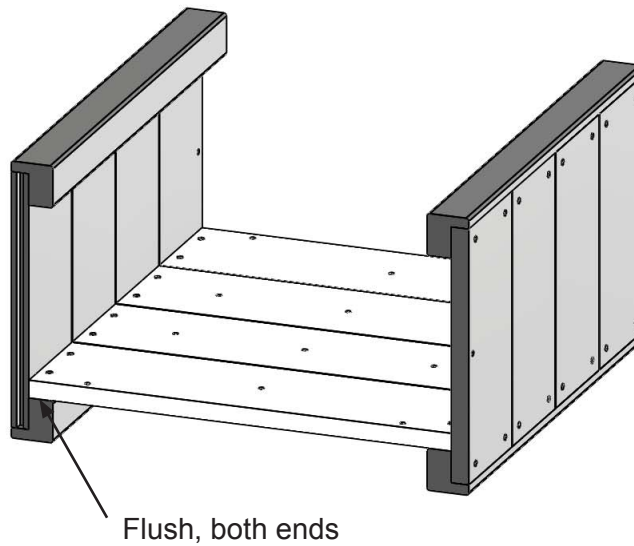


Fig. 1.2



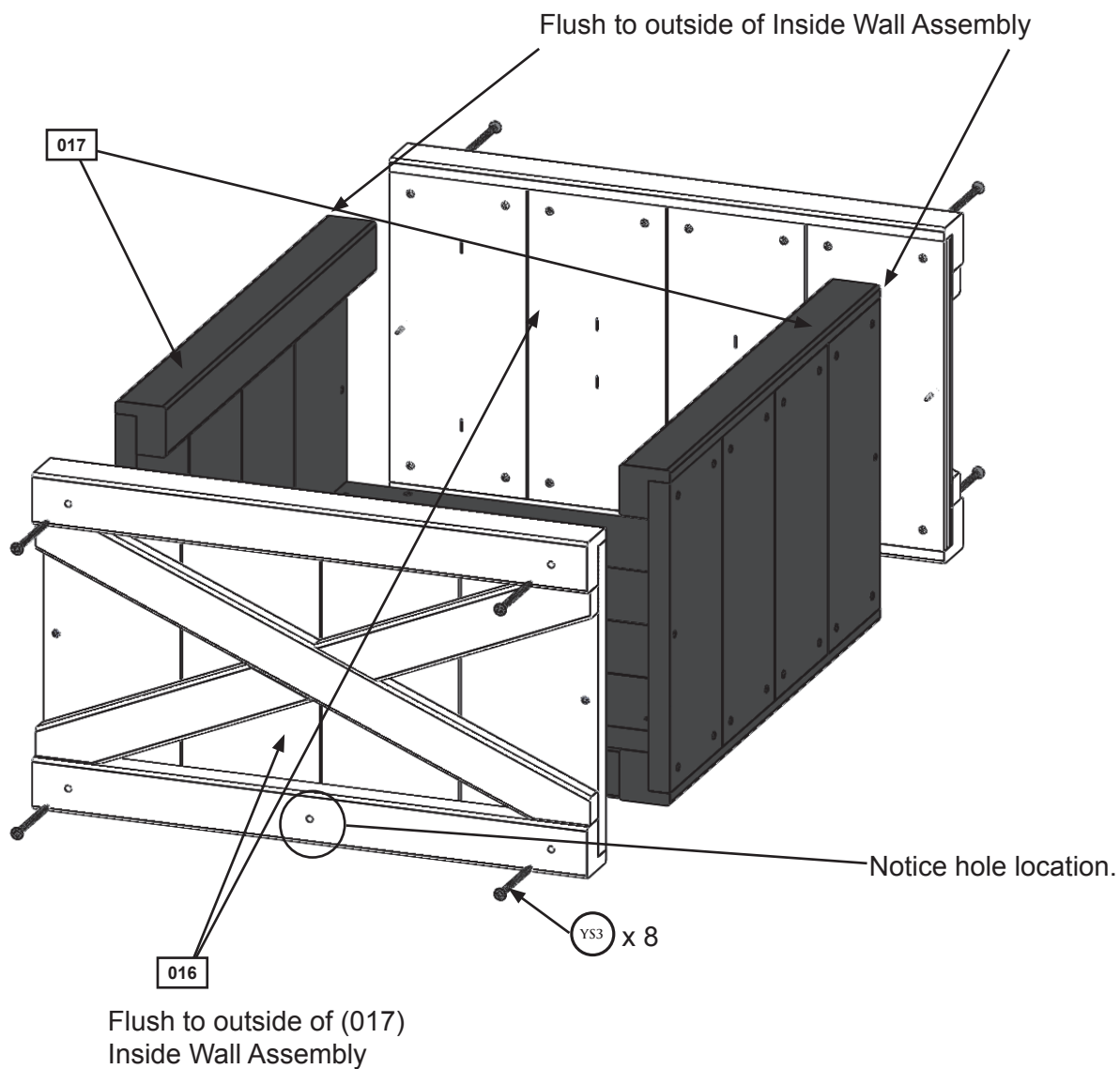
- 2 X 136 T BASE BOARD (15.9 X 109.6 X 385.8 MM)
- 2 X 142 BASE BOARD END (15.9 X 103.3 X 385.8 MM)
- 4 X 017 INSIDE WALL ASSEMBLY (38.1 X 250.8 X 419.1MM)
- 4 X 143 T&G BASE BOARD (15.9 X 109.6 X 385.8 MM)

32 X YS27 #6 X 1-1/8" WOOD SCREW

## STEP 2 - ATTACH OUTSIDE WALLS

A. Flush to the outside of (017) Inside Wall Assembly, attach 2 (016) Outside Wall Assembly using 4 (YS3) #8 x 2-1/2" wood screws per assembly as shown below.

**Repeat for 2 assemblies**



4 X **016** OUTSIDE WALL ASSEMBLY (38.1 X 250.8 X 417.5 MM)

16 X **YS3** #8 X 2-1/2" WOOD SCREW

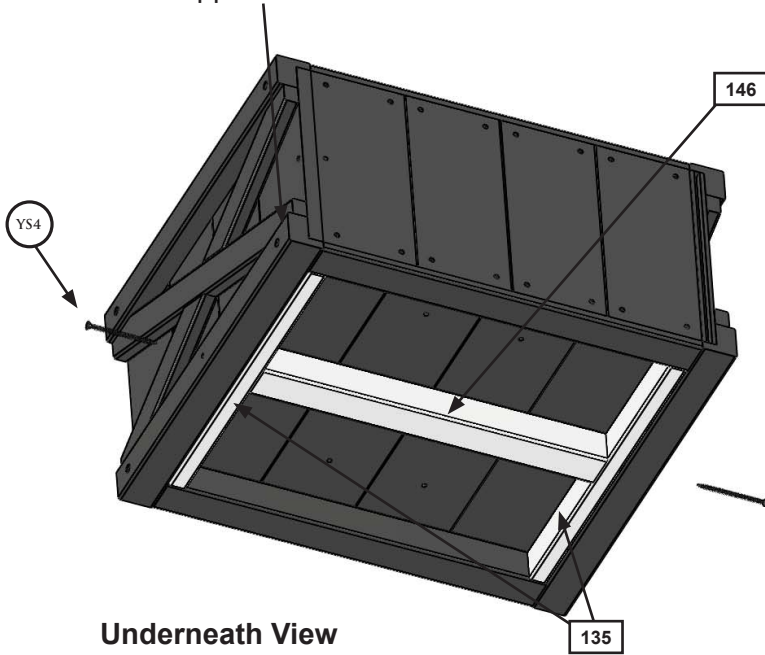
# STEP 3 - ATTACH SUPPORTS TO BOX

- A. Place 2 (135) End Supports and 1 (146) Base Support as shown in Fig. 3.1 and attach using 1 (YS4) #8 x 3" wood screw through each (016) Outside Wall Assemblies. (Fig. 3.1)
- B. Then from the inside of the box, secure with 8 (YS27) #6 x 1-1/8" wood screws. (Fig. 3.2)

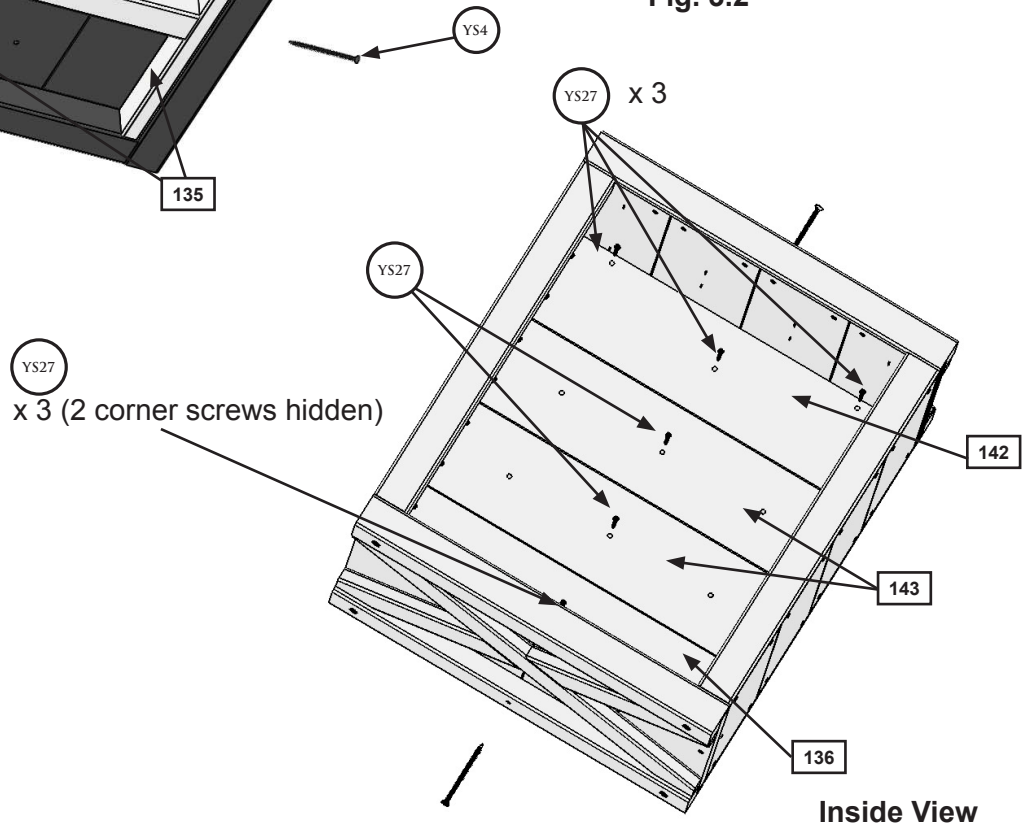
## Repeat for 2 assemblies

**Fig. 3.1**

May have to loosen these screws for the supports to fit



**Fig. 3.2**



4 X **135** END SUPPORT (19.1 X 38.1 X 341.3 MM)  
 2 X **146** BASE SUPPORT (38.1 X 38.1 X 379.4 MM)

4 X **YS4** #8 X 3" WOOD SCREW  
 16 X **YS27** #6 X 1-1/8" WOOD SCREW

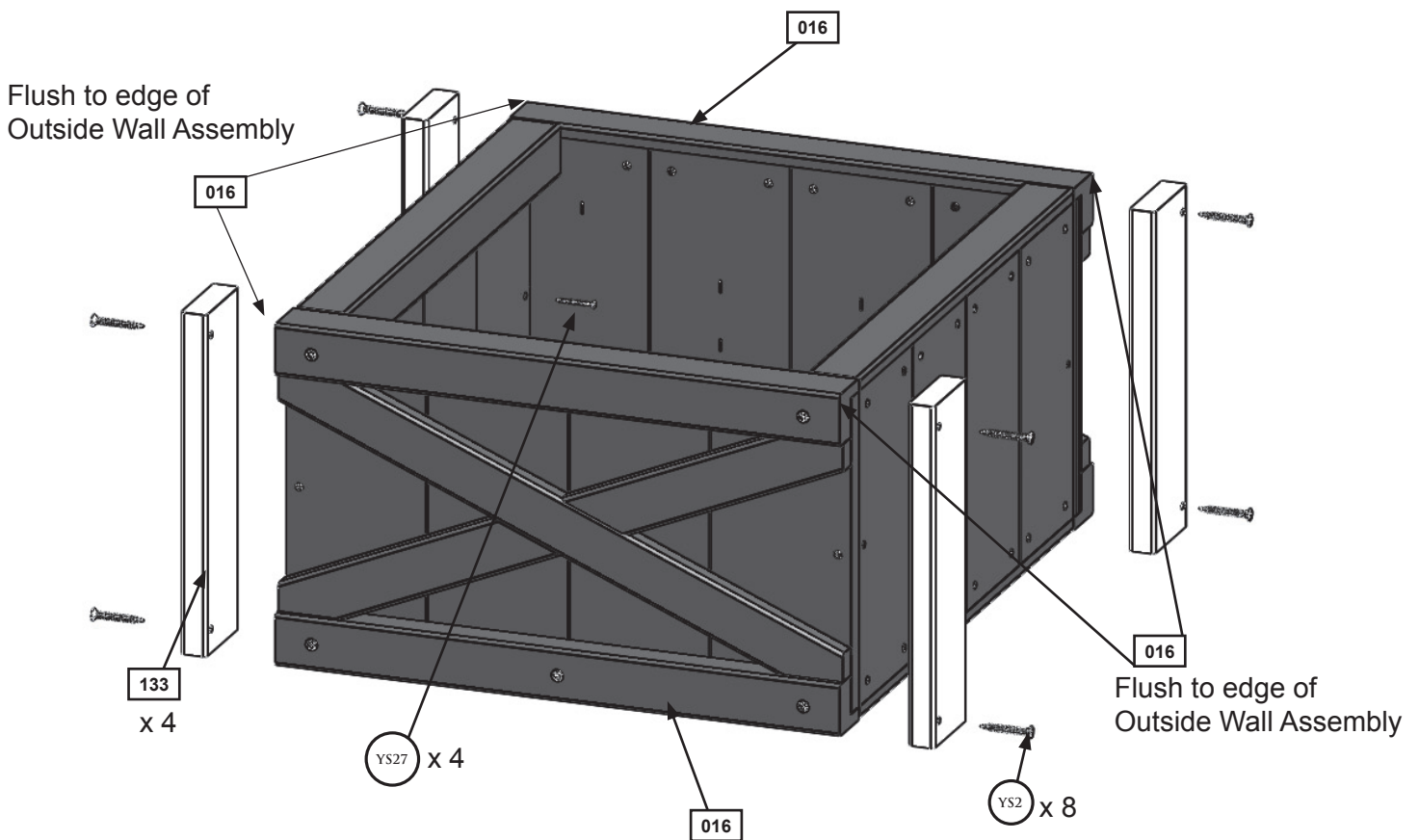


## STEP 4 - ATTACH FRAME STILES TO BOX

A. Attach 4 (133) Frame Stiles flush to the edge of (016) Outside Wall Assembly using 2 (YS2) #8 x 1-1/2" Wood Screws per Frame Stile.

B. Secure the (017) Inside Wall Assemblies to the (133) Frame Stile from the inside using 4 (YS27) #6 x 1-1/8" wood screws.

**Repeat for 2 assemblies**



8 X 133 FRAME STILE (19.1 X 63.5 X 250.8 MM)

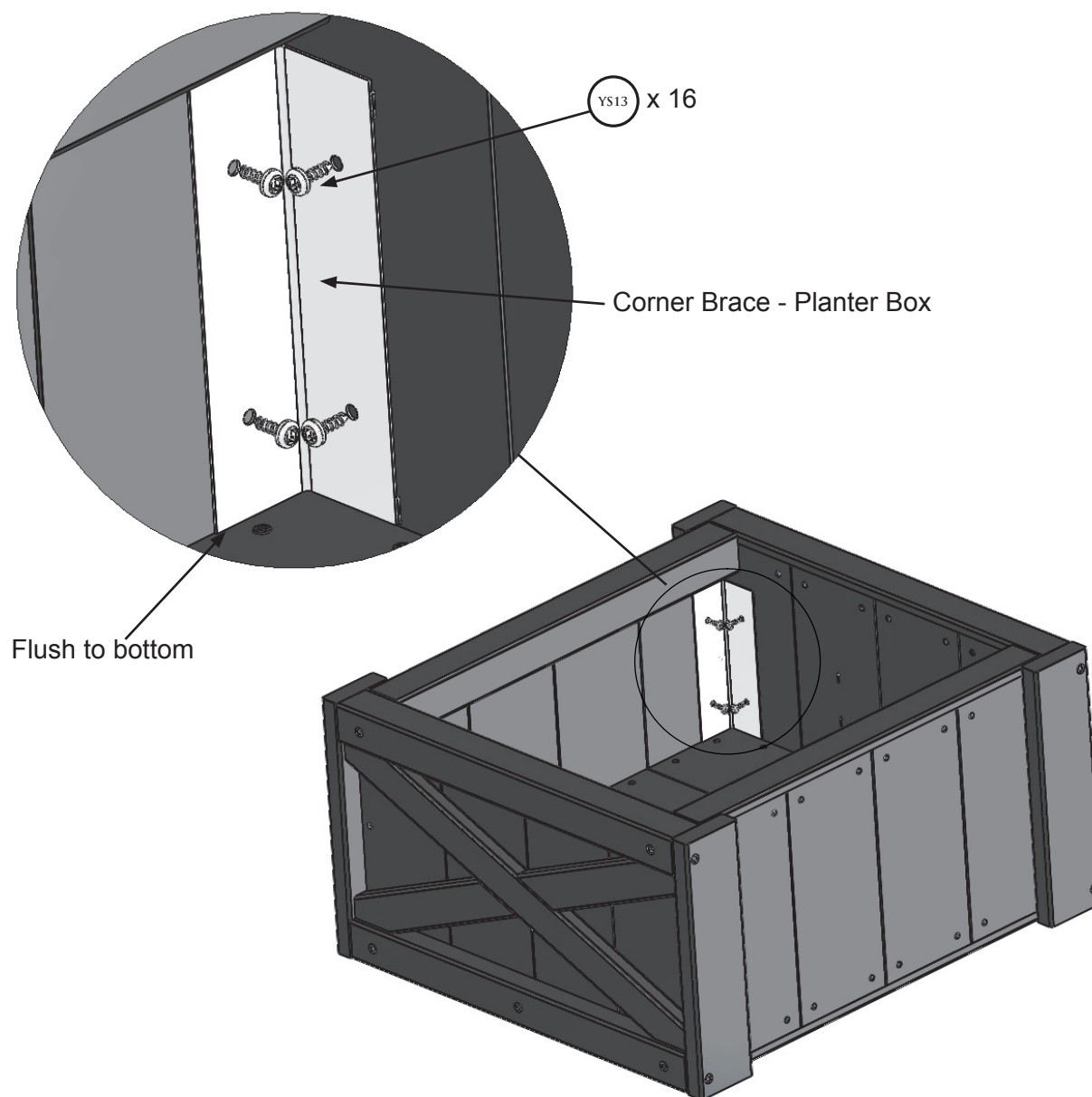
8 X YS27 #6 X 1-1/8" WOOD SCREW

16 X YS2 #8 X 1-1/2" WOOD SCREW

## STEP 5 - ATTACH CORNER BRACES

A. Attach 4 (005) Corner Braces to each (017) Inside Wall Assembly and (016) Outside Wall Assembly as shown below. Use 4 (YS13) #6 x 5/8" Pan Screws per (005) Corner Brace, ensuring that they are flush to the bottom.

**Repeat for 2 assemblies**



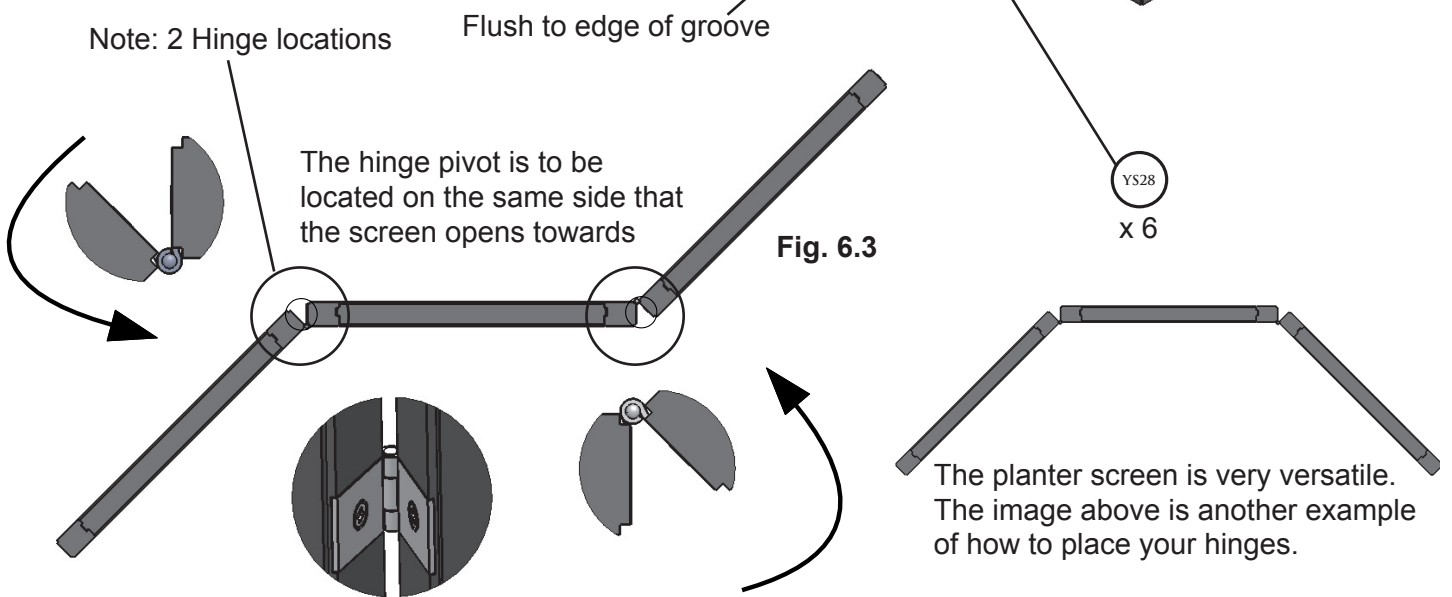
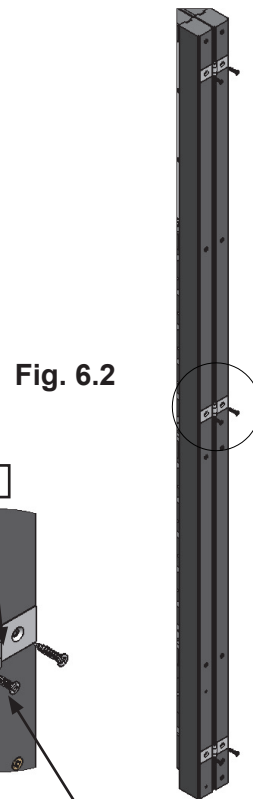
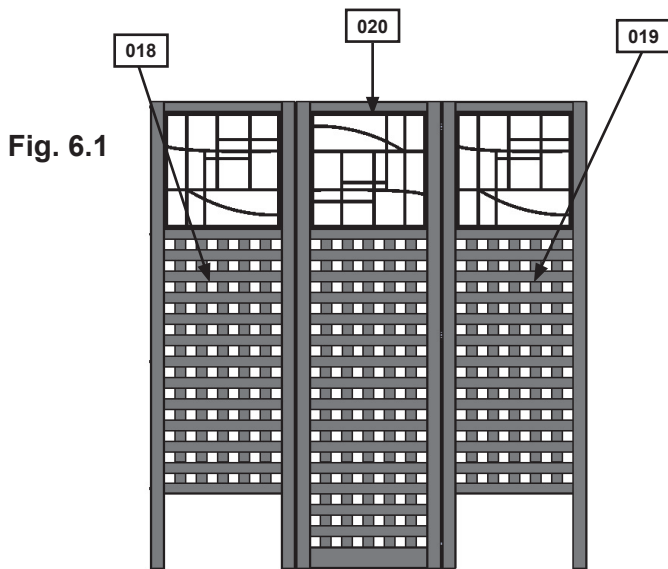
32 X  #6 X 5/8" PAN HEAD SCREW

8 X CORNER BRACE

# STEP 6 - ASSEMBLE SCREENS

A. Before assembling the screens, determine what the final orientation will be.

B. Place 2 of the screens side by side as shown in Fig. 6.1 and 6.2, and attach 3 Hinges to the Planter Screens using 2 (YS28) #10 x 1" Wood Screws per hinge. Ensure that the hinges are flush to the edge of the groove. Repeat on opposite side. Keep in mind that the hinge pivot is to be located on the same side that the screen opens toward. (Fig. 6.3)

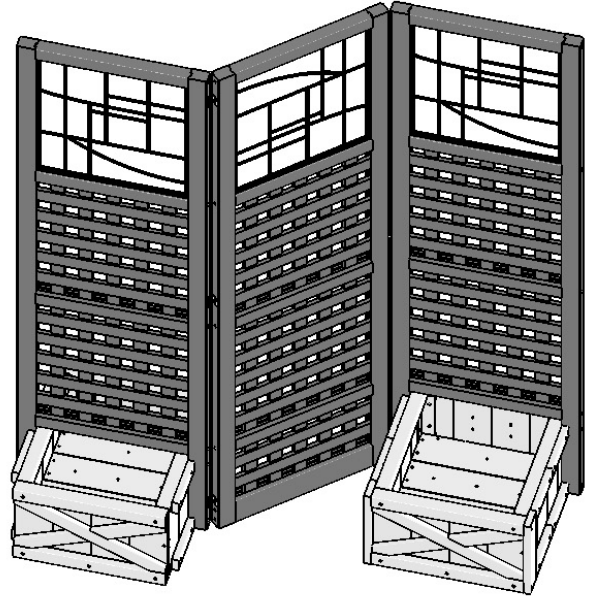


- 1 x 018 PLANTER SCREEN AL (38.1 x 520.7 x 1676.4 MM)
- 1 x 020 PLANTER SCREEN B (38.1 x 520.7 x 1676.4 MM)
- 1 x 019 PLANTER SCREEN AR (38.1 x 520.7 x 1676.4 MM)
- 6 x 014 HINGE - PLANTER SCREEN

- 12 x YS28 #10 x 1" WOOD SCREW

# STEP 7 - ATTACH PLANTER BOX

- A. Determine Planter Box orientation.
- B. Install Planter Box Rails according to desired orientation.
- C. Once you decide which orientation you will be using (i.e Planter Box Centred or Planter Box Offset), attach 8 (134) Frame Rail to the (017) Inside Assemblies as shown below, using 2 (YS2) #8 x 1-1/2" wood screws per Frame Rail Adjustable.

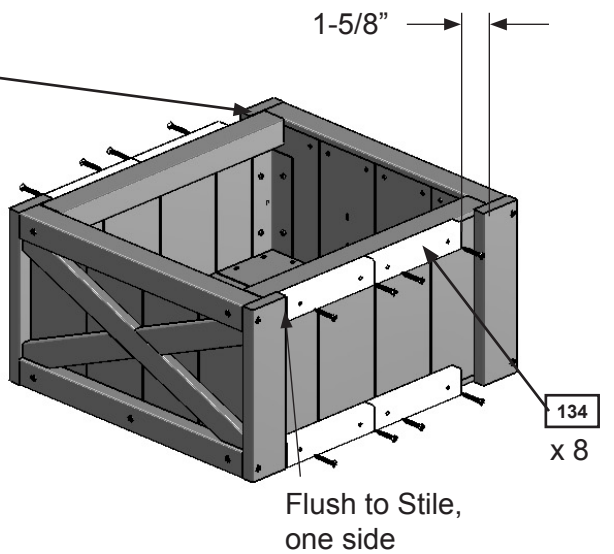
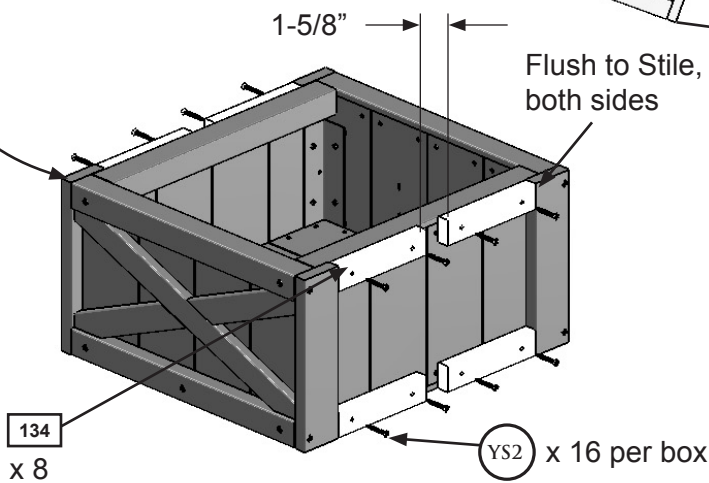
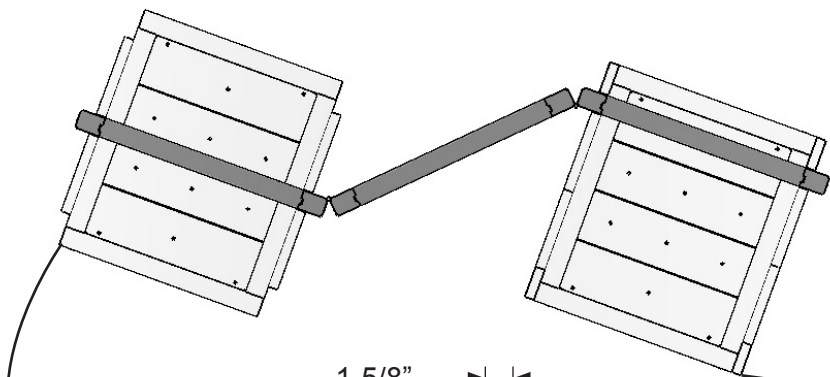


### Planter Box Centred

**Note:** Frame Rail Adjustable must be flush to *both* Frame Stile as shown. Leave 1-5/8" in between Frame Rail Adjustable.

### Planter Box Offset

**Note:** Frame Rail Adjustable must be flush to *one* Frame Stile as shown. Leave 1-5/8" at opposite end of assembly.



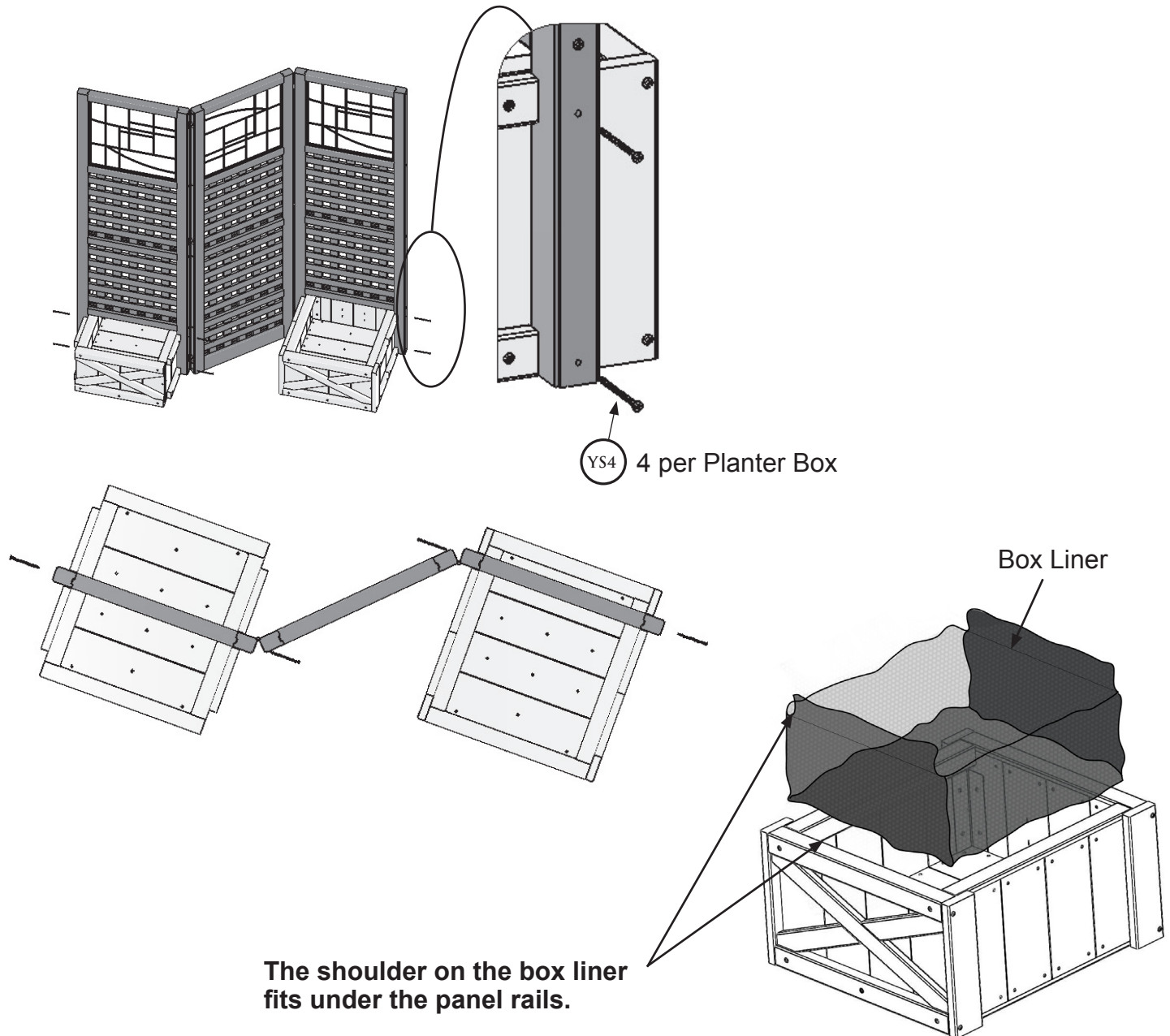
16 x **134** FRAME RAIL ADJUSTABLE (19.1 x 38.1 x 163.5 MM)


32 X **YS2** #8 X 1-1/2" WOOD SCREW

# STEP 8 - ATTACH PLANTER BOXES TO PLANTER SCREENS AND PLACE BOX LINER

1. Attach Planter Boxes to Planter Screens using 4 (YS4) #8 x 3" Wood screws per Planter Box as shown below.
2. Place 1 Box Liner into each assembled Planter Box. Be sure to note that the shoulder on the box liner fits under the Panel Rails.

**Note: Fill with dirt immediately to prevent wind blow over.**



8 X  #8 X 3" WOOD SCREW

2 X BOX LINER

