

12' x 24' Pergola

Installation and Operating Instructions – YM12778

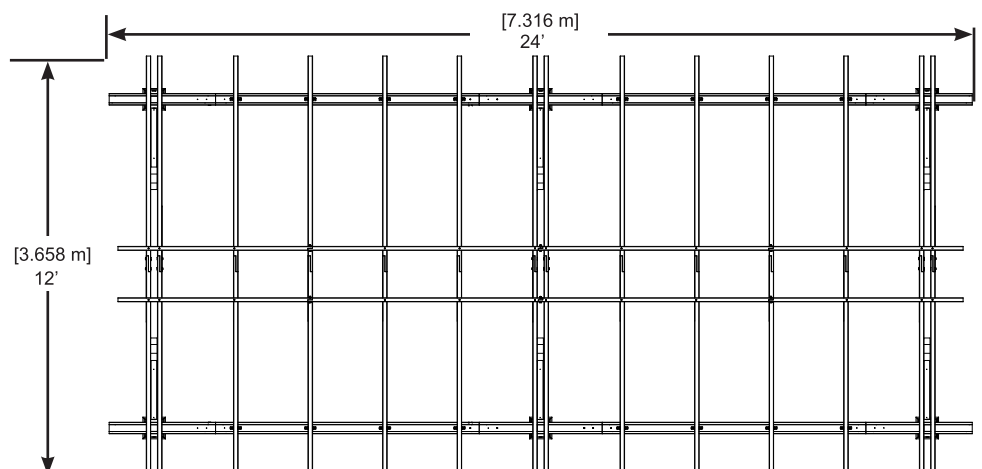


IMPORTANT, RETAIN FOR FUTURE REFERENCE: READ CAREFULLY

Revised 11-29-2019

YARDISTRY®

Yardistry – North America
Toll Free Customer Support:
1.888.509.4382
info@yardistrystructures.com
www.yardistrystructures.com



Height: 8' 6" (2.59 m)

Important Safety Notice!

Yardistry components are intended for privacy, decorative and ornamental use only.

Product is NOT INTENDED for the following:

- A safety barrier to prevent unsupervised access to pools, hot tubs, spas or ponds.
- As load bearing support for a building, structure, heavy objects or swings.
- Used in structures that trap wind, rain or snow that would create extra load on the product.

Accumulated snow must be removed from roof.

DO NOT climb or walk on roof for any reason.

Permanent structures may require a building permit. As the purchaser and or installer of this product you are advised to consult local planning, zoning and building inspection departments for guidance on applicable building codes and/or zoning requirements.

Wood is NOT flame retardant and will burn. Grills, fire pits and chimineas are a fire hazard if placed too close to a Yardistry structure. Consult user's manual of the grill, fire pit or chimenea for safe distances from combustible materials.

Wear gloves to avoid injury from possible sharp edges of individual elements before assembly.

During installation, follow all safety warnings provided with your tools and use OSHA approved safety glasses. Some structures may require two or more people to install safely.

Check for underground utilities before digging or driving stakes into the ground!

It is important during assembly to closely follow the instructions, complete the assembly on a solid level surface and that you follow the instruction to square up, level and anchor the structure, this will reduce the gap at wood connections during assembly.

General Information

General Information: Wood components are manufactured with Cedar (C. Lanceolata) which is protected with factory applied water-based stain. Knots, small checks (cracks) and weathering are naturally occurring and do not affect the strength of the product. Annual application of a water-based water repellent sealant or stain is important and will help reduce weathering and checks.

www.yardistrystructures.com

Questions?

Call toll free or write us at:

1 (888) 509-4382

info@yardistrystructures.com

Patents Pending

Limited Warranty

Yardistry warrants that this product is free from defect in materials and workmanship for a period of one (1) year from the original date of purchase. In addition, for any product with lumber, all lumber is warranted for five (5) years against rot and decay. This warranty applies to the original owner and registrant and is non-transferable.

Regular maintenance is required to assure the integrity of your product and is a requirement of the warranty. This warranty does not cover any inspection costs.

This Limited Warranty does not cover:

- Labour for replacement of any defective item(s);
- Incidental or consequential damages;
- Cosmetic defects which do not affect performance or integrity;
- Vandalism; improper use or installation; acts of nature, including but not limited to wind, storms, hail, floods, excessive water exposure;
- Minor twisting, warping, checking or any other natural occurring properties of wood that do not affect performance or integrity.

Yardistry products have been designed for safety and quality. Any modifications made to the original product could damage the structural integrity of the product leading to failure and possible injury. Yardistry cannot assume any responsibility for modified products. Furthermore, modification voids any and all warranties.

This product is warranted for RESIDENTIAL USE ONLY. Yardistry disclaims all other representations and warranties of any kind, express or implied.

This Warranty gives you specific legal rights. You may have other rights as well which vary from state to state or province to province. This warranty excludes all consequential damages, however, some states/provinces do not allow the limitation or exclusion of consequential damages, and therefore this limitation may not apply to you.

Instructions for Proper Maintenance

Your Yardistry structure is designed and constructed of quality materials. As with all outdoor products it will weather and wear. To maximize the enjoyment, safety and life of your structure it is important that you, the owner, properly maintain it.

HARDWARE:

- Check metal parts for rust. If found, sand and repaint using a non-lead paint complying with 16 CFR 1303.
- Inspect and tighten all hardware after completion of assembly; after first month of use; and then annually. Do not over-tighten as to cause crushing and splintering of wood.
- Check for sharp edges or protruding screw threads, add washers if required.

WOOD PARTS:

- Applying a water repellent or stain (water-based) on a yearly basis is important maintenance to maintain maximum life and performance of the product.
- Check all wood members for deterioration, structural damage and splintering. Sand down splinters and replace deteriorated wood members. As with all wood, some checking and small cracks in grain is normal
- Some gapping may occur at some wood connections.

Assembly Guides

Tools Required:

- Tape Measure
- Carpenters Level
- Standard or Cordless Drill
- 7/16" & 1/2" Wrench
- 7/16" & 1/2" Socket
- Ratchet
- Safety Glasses
- Adult Helper
- Safety Gloves
- Hard Hat
- 6' Step Ladder x 2
- Square

Symbols:

Throughout these instructions symbols are provided in the top, right-hand corner of the page.



- Use Help, where this is shown, 2, 3 or 4 people are required to safely complete this step. To avoid injury or damage to the assembly make sure to get some help.



- Use a measuring tape to assure proper location



- Pre-drill a pilot hole before fastening screw or lag to prevent splitting of wood.



- Check that assembly is square before tightening bolts

If you dispose of your Yardistry structure: Please disassemble and dispose of your unit so that it does not create any unreasonable hazards at the time it is discarded. Be sure to follow your local waste ordinances.

Assembly Tips

Following are some helpful tips to make the assembly process smooth and efficient.

PRE-ASSEMBLIES:

(i.e. Post and Beam Assemblies, Roof Rafter Assembly, etc)

- Work on a raised, solid and flat surface such as, a table or saw horse.
- Keep all connections flush where shown in the instructions.
- When assembling the beams keep parts flat, straight and snug when connecting.

Permanent Installation Examples

Note: It is critically important you start with square, solid and level footings, concrete pad or deck to attach your Pavilion.

We supply Post Mounts with this structure which gives you the flexibility to permanently install your structure to a pre-existing or new wood or concrete surface.

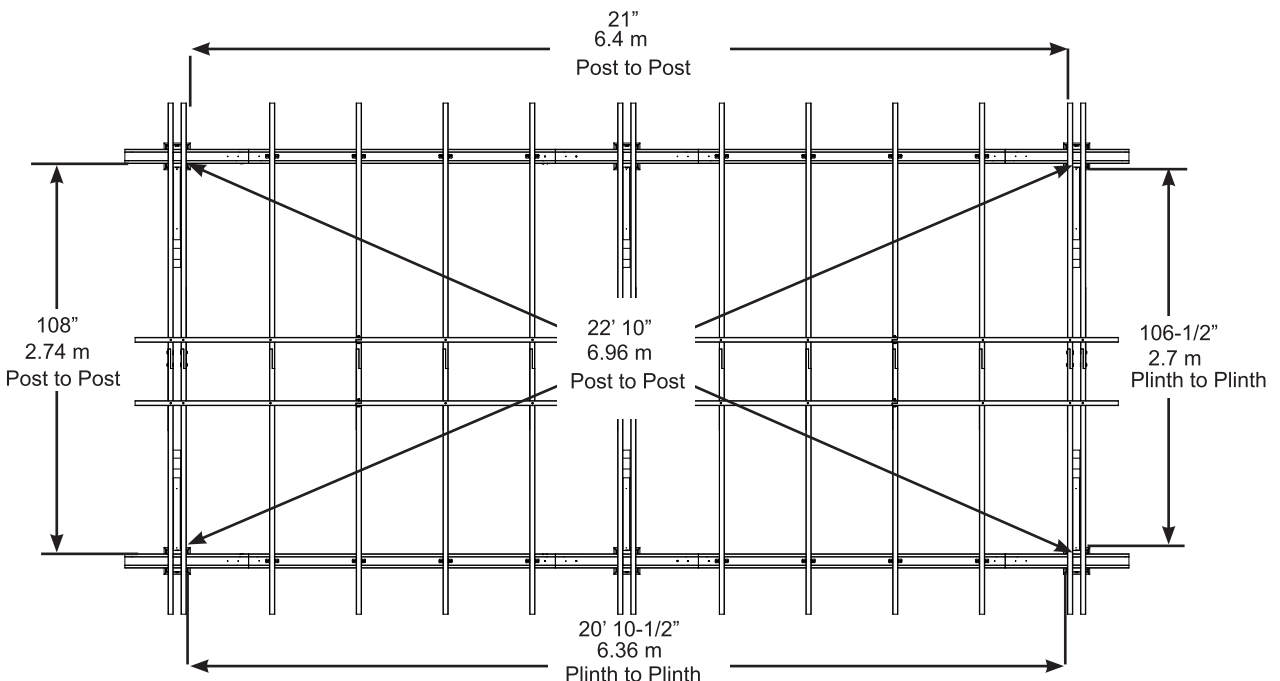
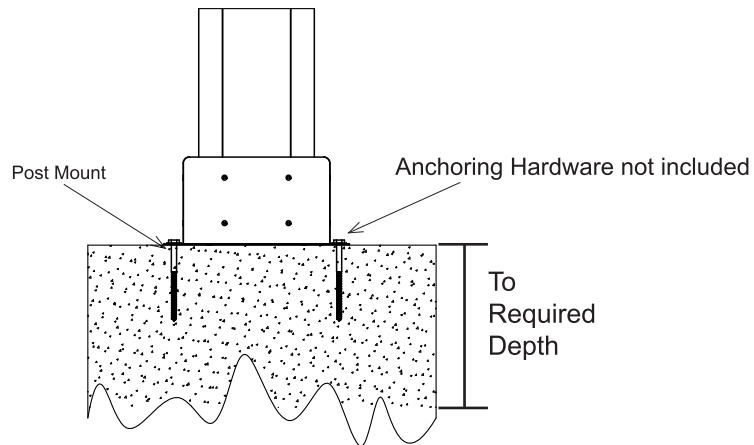
- The hardware to attach the Post Mount to the structure is included.
- The hardware to mount the structure permanently will need to be purchased separately at your local hardware store.

If you are mounting to concrete footers see below for the correct locations and placement. Please double check for possibility of any underground utilities such as gas, telephone, cable or sprinkler lines.

Following are some examples of how to mount the structure to wood or concrete surfaces.

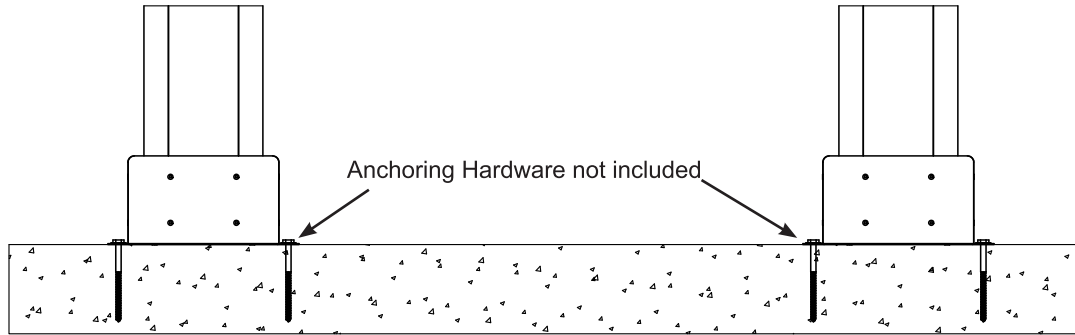
Refer to your local building and city codes, ordinances, neighbourhood covenants, or height restrictions regarding this type of structure for guidance on acceptable installation requirements.

Concrete Footer

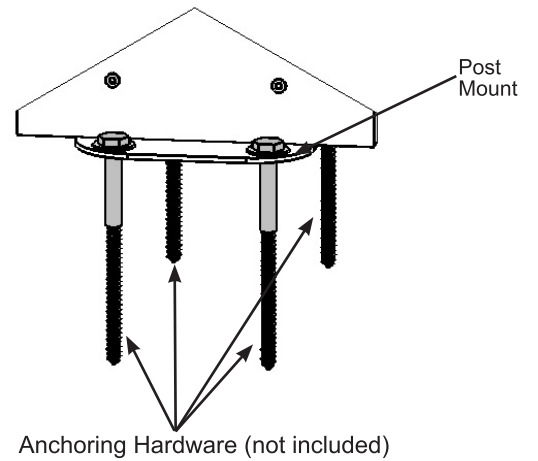
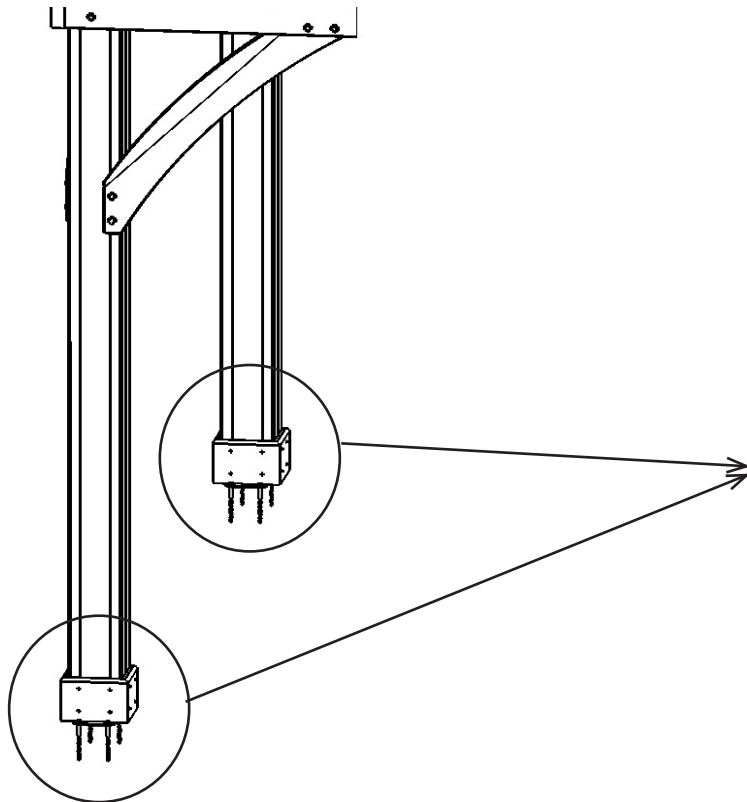
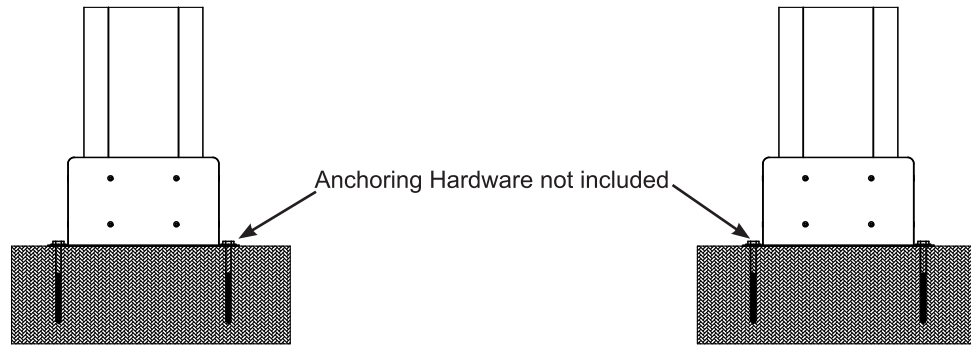


Permanent Installation Examples cont.

Concrete Patio (min. 23' x 11') with 6" clearance on all sides

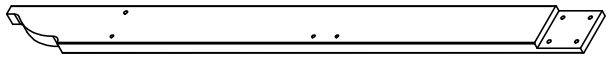


Wood Deck (min. 23' x 11') with 6" clearance on all sides

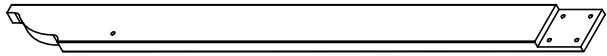


Post Mounts have a 1/2" diameter hole for anchoring hardware.

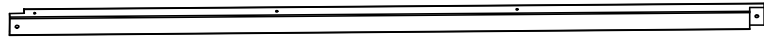
Part Identification (Dimensions are approximate and are shown to assist in the identification of parts for assembly. Actual dimensions may be smaller or larger.)



12pc. (913)-Trellis Joist A-1898.7mm (74-3/4") (Y50229-913)



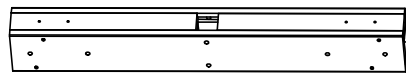
16pc. (914)-Trellis Joist B -1898.7mm (74-3/4") (Y50229-914)



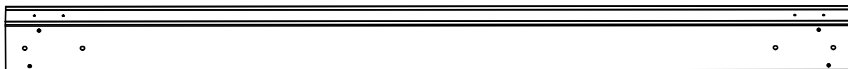
20pc. (933)-Long Trellis -1990.8mm (78-3/8")(Y50229-933)



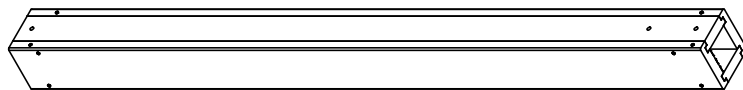
20pc. (934)-Short Trellis -1647.4mm (64-7/8") (Y50229-934)



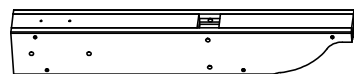
2pc. (924)-Centre Beam - 1041.4mm (41") (Y70229-924)



4pc. (926)-Beam Middle - 2235.2mm (88") (Y70229-926)



6pc. (902)-Pergola Post - 2235.2mm (88") (Y70229-902)



4pc. (929)-Beam End - 901.7 mm (35-1/2") (Y70229-929)



6pc. (909)-Long Gusset - 1015mm (39-15/16") (Y70229-909)



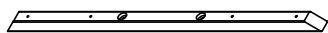
8pc. (899)-Gusset - 812.8mm (32") (Y70229-899)



6pc. (920)-Post Block - 533.4mm (21") (Y50229-920)



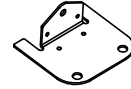
8pc. (912)-Connector Block - 508mm (20") (Y50229-912)



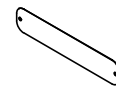
14pc. (918)-Splice - 1016mm (40") (Y50229-918)



2pc. Trellis Bracket (26 pk)
(Y70819-288)



(Y70819-219)
1pc. Post Mount (12 PK)



(Y70800-104)
1pc. Gazebo ID Plaque



(Y50229-422)
24pc. (422)-Plinth
190.5mm (7-1/2")

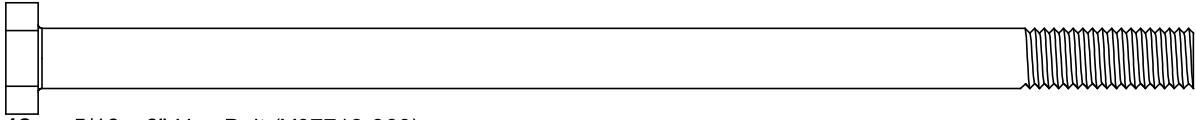


(Y50229-917)
24pc. (917) Post Trim
190.5mm (7-1/2")

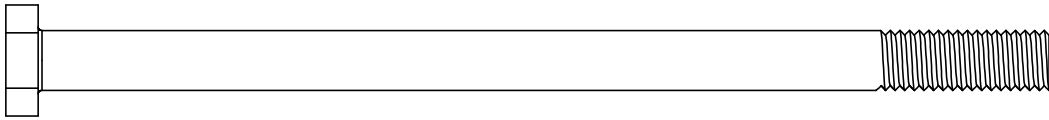


(Y50229-919)
12pc. (919) Top Post Block
190.5mm (7-1/2")

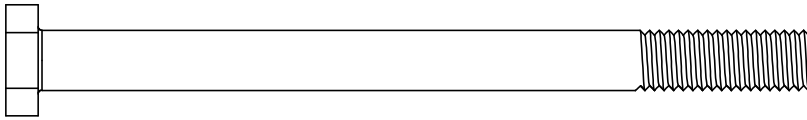
Part Identification (Dimensions are approximate and are shown to assist in the identification of parts for assembly. Actual dimensions may be smaller or larger.)



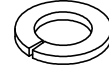
12pc. 5/16 x 6" Hex Bolt (Y07718-360)



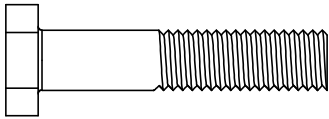
24pc. 5/16 x 5 1/4" Hex Bolt (Y07718-351)



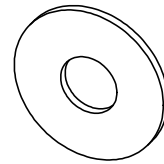
44pc. 5/16 x 4" Hex Bolt (Y07718-340)



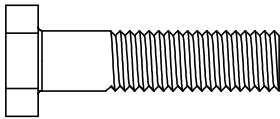
148pc. 5/16" Lock Washer (Y05318-300)



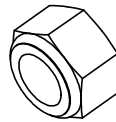
56pc. 5/16 x 1 1/2" Hex Bolt (Y07718-312)



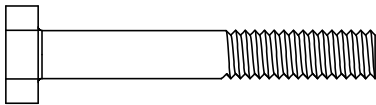
258pc. 5/16" Flat Washer - (Y05118-203)



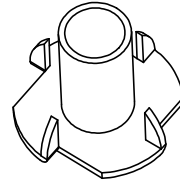
12pc. 5/16 x 1 1/4" Hex Bolt (Y07718-311)



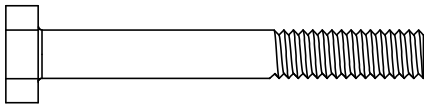
46pc. 1/4" Lock Nut (Y08318-203)



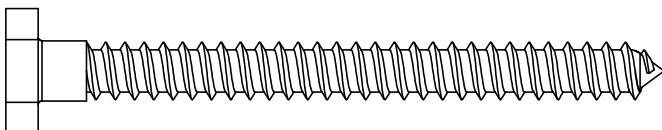
30pc. 1/4 x 3/4" Hex Bolt (Y07718-213)



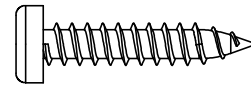
148pc. 5/16" T-Nut (Y08518-300)



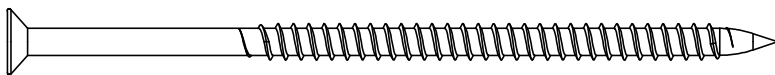
16pc. 1/4 x 2" Hex Bolt (Y07718-220)



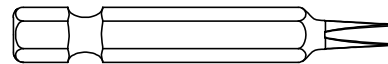
50pc. 5/16 x 3" Lag Screw (Y06218-330)



78pc. Pan Screw #10 x 1-1/4" (Y06491-711)



120pc. Wood Screw #10 x 4" (Y06091-740)



1pc. #2 x 2" Robertson Driver (Y00400-005)



136pc. Wood Screw #8 x 3" (Y06091-530)

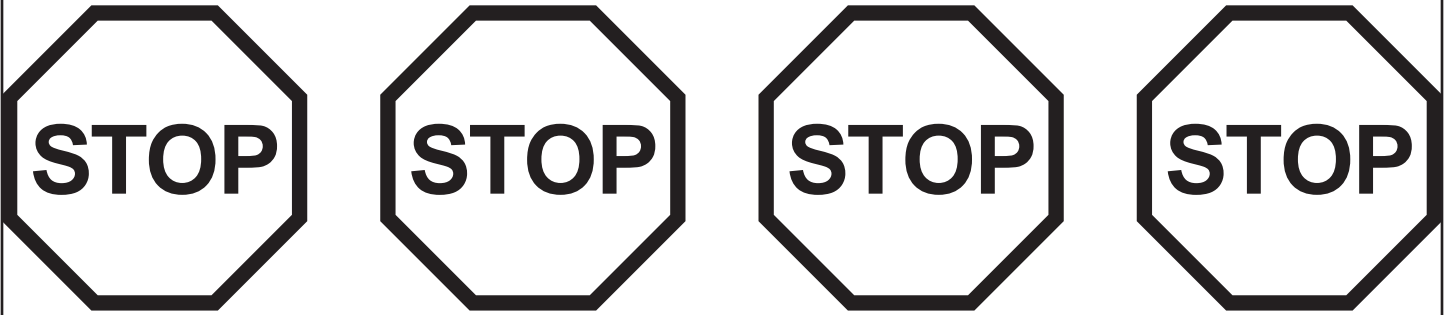


168pc. Wood Screw #8 x 1-1/2" - (Y06091-512)



1pc. 1/8" Drill Bit (Y00400-002)

Step 1: Inventory Parts - Read This Before Starting Assembly



- A.** This is the time for you to inventory all your hardware, wood and accessories, referencing the parts identification sheets. This will assist you with your assembly.
- Each step indicates which bolts and/or screws you will need for assembly, as well as any flat washers, lock washers, t-nuts or lock nuts.
- B.** If there are any missing or damaged pieces or you need assistance with assembly please contact the consumer relations department directly. Call us before going back to the store.

1-888-509-4382

support@yardistrystructures.com

- C.** Read the assembly manual completely, paying special attention to ANSI warnings; notes; and safety/maintenance information on pages 1 - 4.
- Follow the instructions in order.
 - This structure is designed to be assembled and installed ideally by four people, DO NOT attempt to install alone.
 - Consider the slope of elevation where you plan to install the structure. Also, check for gas, telephone, other utilities or sprinkler line locations prior to excavating any holes.
- D.** Before you discard your cartons fill out the form below.
- The carton I.D. stamp is located on the end of each carton.
 - Please retain this information for future reference. You will need this information if you contact the Consumer Relations Department.

PRODUCT NUMBER: YM12778

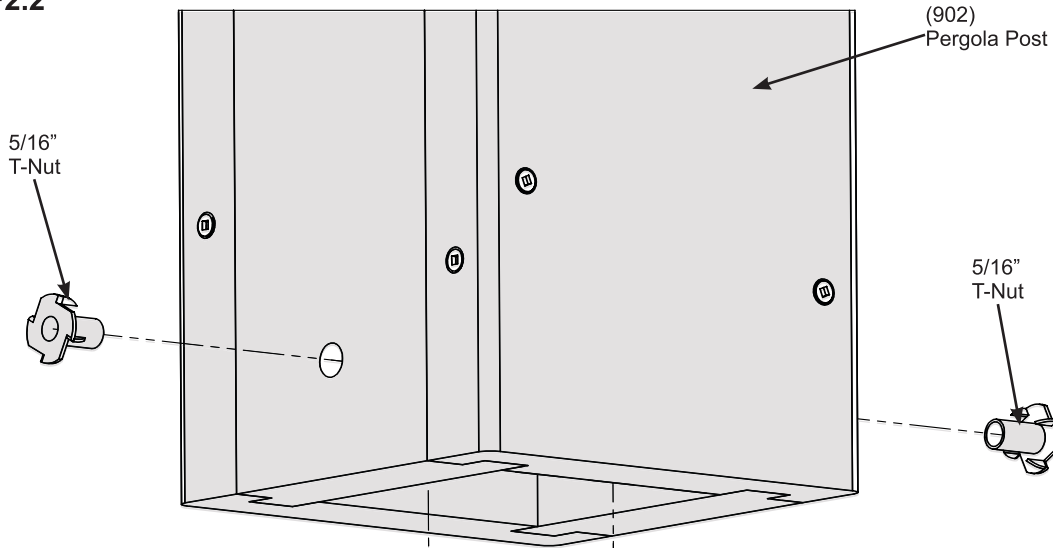
CARTON I.D. STAMP: _ _ _ _ _ (Box 1)
CARTON I.D. STAMP: _ _ _ _ _ (Box 2)
CARTON I.D. STAMP: _ _ _ _ _ (Box 3)
CARTON I.D. STAMP: _ _ _ _ _ (Box 4)
CARTON I.D. STAMP: _ _ _ _ _ (Box 5)

Step 2: Post Assemblies, Part 1

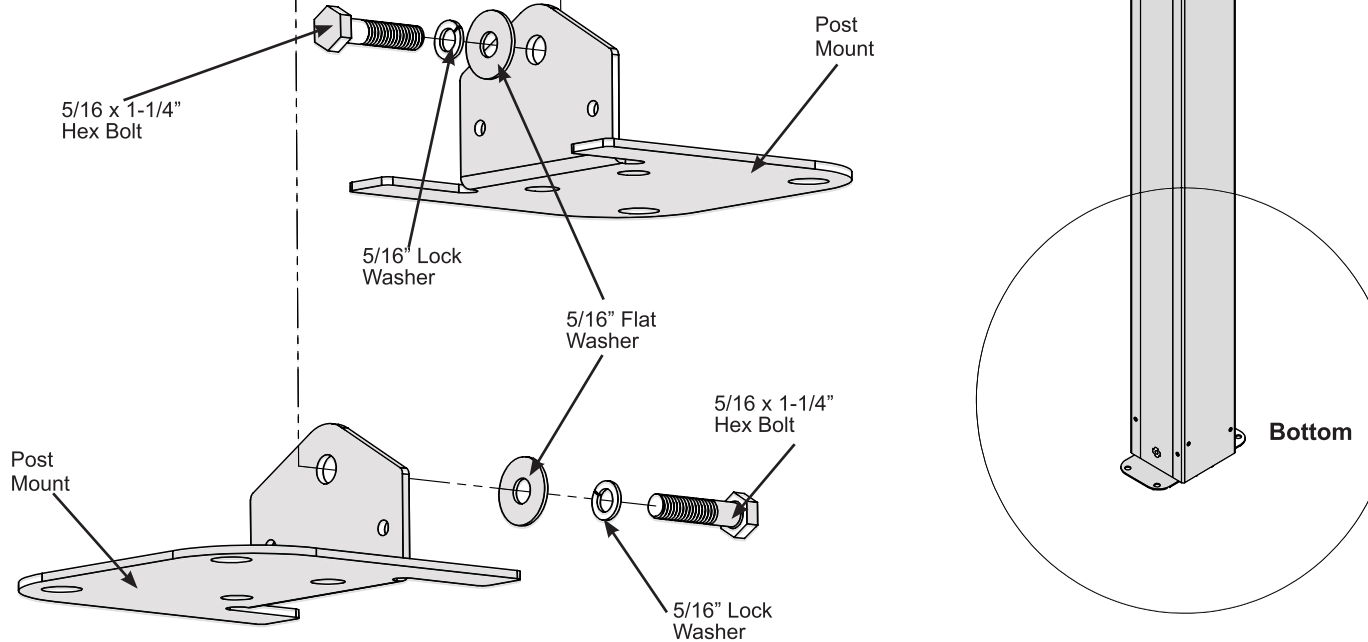
A: At the bottom of one (902) Pergola Post insert two 5/16" T-Nuts as shown in F2.2.

B: At the bottom of (902) Pergola Post place two Post Mounts tight to the bottom and inside faces as shown in F2.1 and F2.2. Loosely attach with one 5/16 x 1-1/4" Hex Bolt (with 5/16" lock washer and 5/16" flat washer) per mount so they connect to the T-Nuts.

F2.2



F2.1



Wood Parts

6 x (902) Pergola Post

Hardware

12 x 5/16" T-Nut

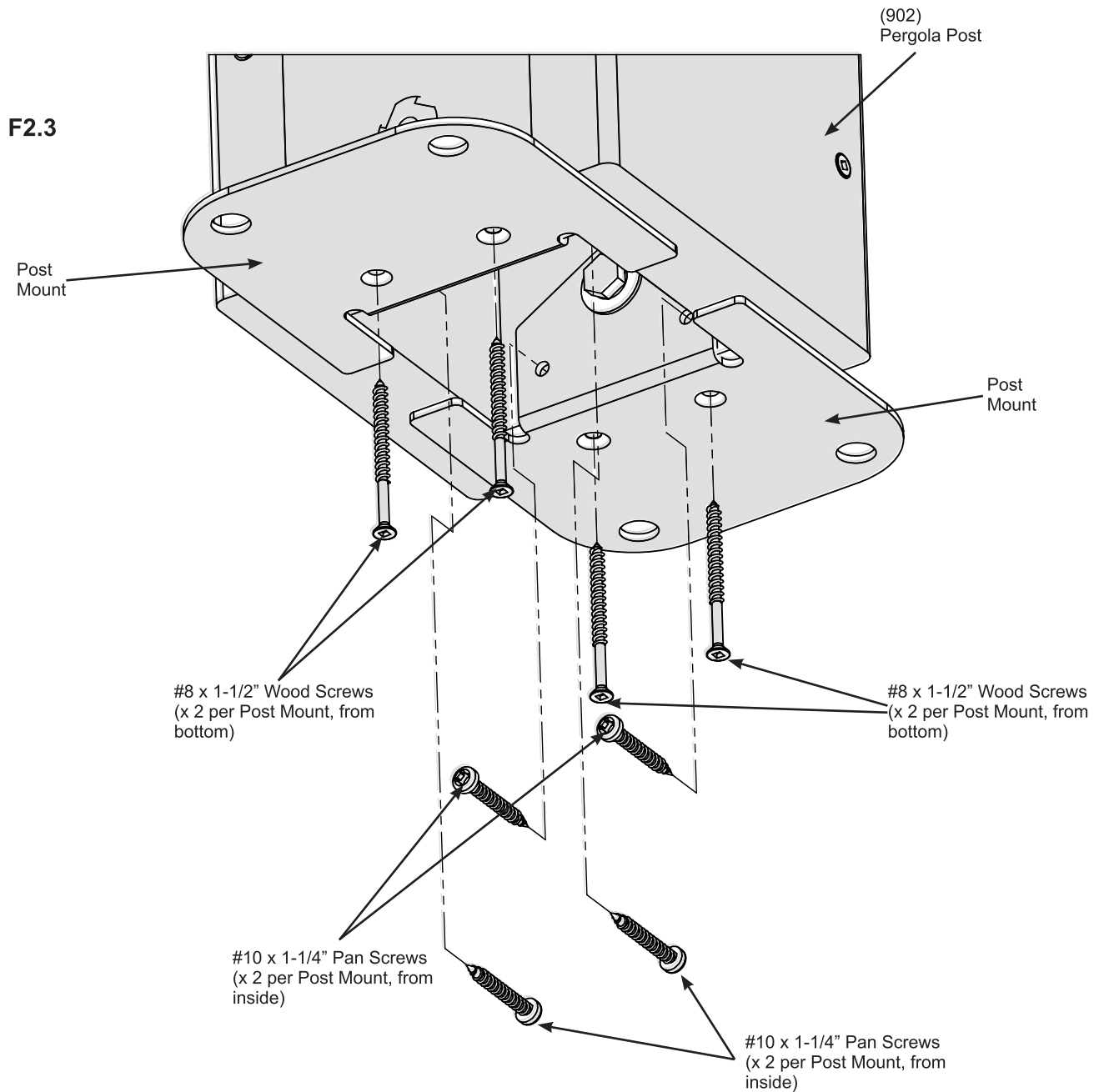
12 x 5/16 x 1-1/4" Hex Bolt
(with 5/16" lock washer, 5/16" flat washer)

12 x Post Mount

Step 2: Post Assemblies, Part 2

C: From the inside attach two #10 x 1-1/4" Pan Screws per mount. These screws are installed at a slight angle. (F2.3)

D: From the bottom attach Post Mounts to posts with two #8 x 1-1/2" Wood Screws per mount. Tighten all bolts. (F2.3)



Hardware

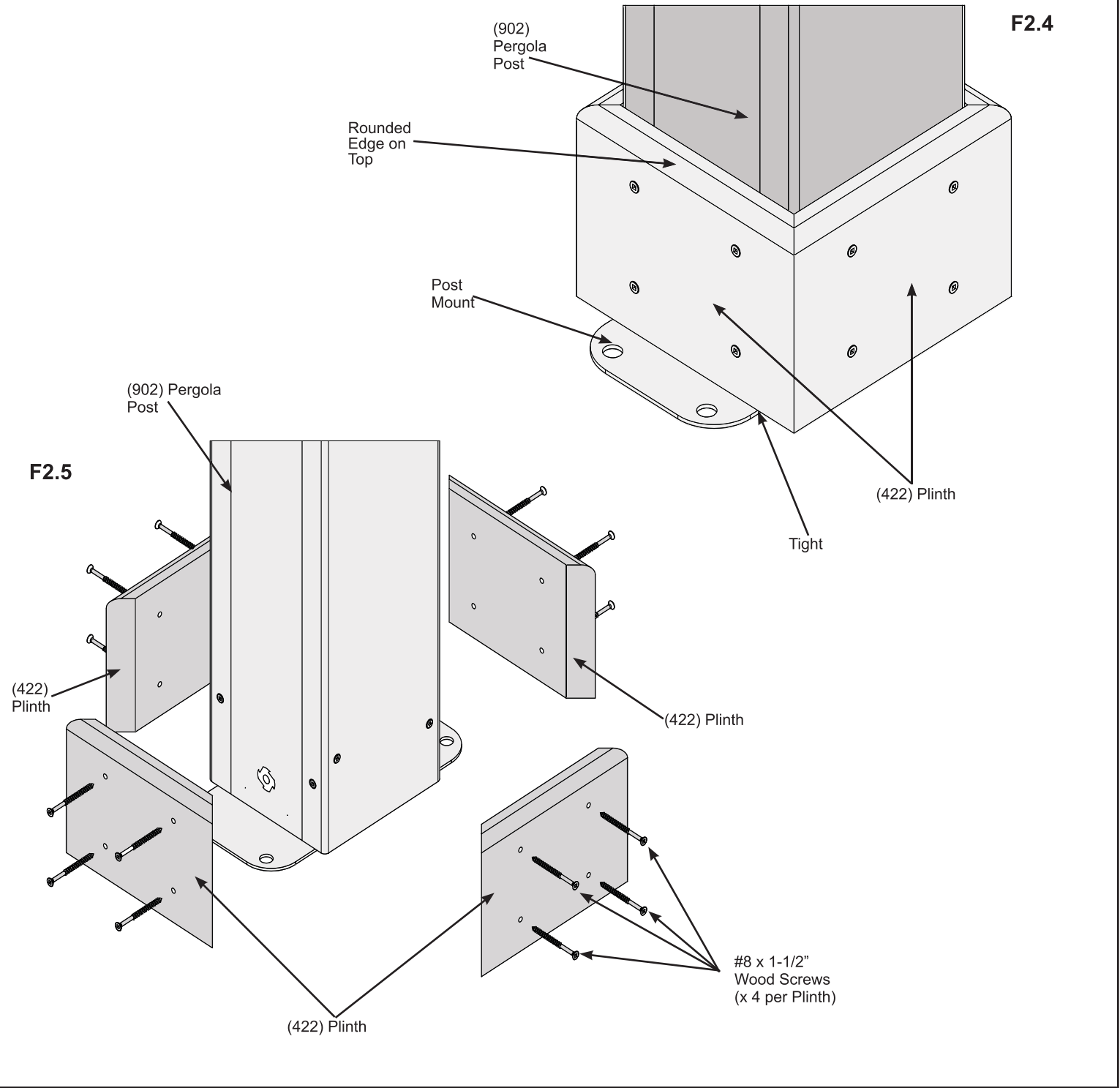
24 x #10 x 1-1/4" Pan Screw

24 x #8 x 1-1/2" Wood Screw

Step 2: Post Assemblies, Part 3

E: Place one (422) Plinth flush to the bottom and tight to the Post Mounts on each side of the (902) Pergola Post and attach with four #8 x 1-1/2" Wood Screws per plinth. Rounded edges on top. (F2.4 and F2.5)

F: Repeat Steps A - E five more times to make six Post Assemblies.



Wood Parts

24 x (422) Plinth

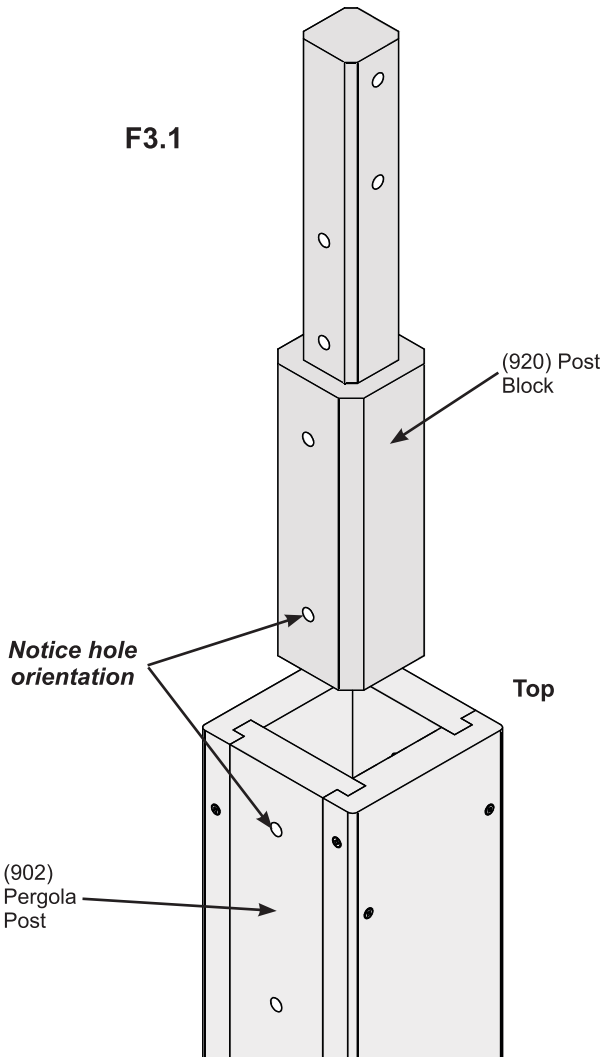
Hardware

96 x #8 x 1-1/2" Wood Screw

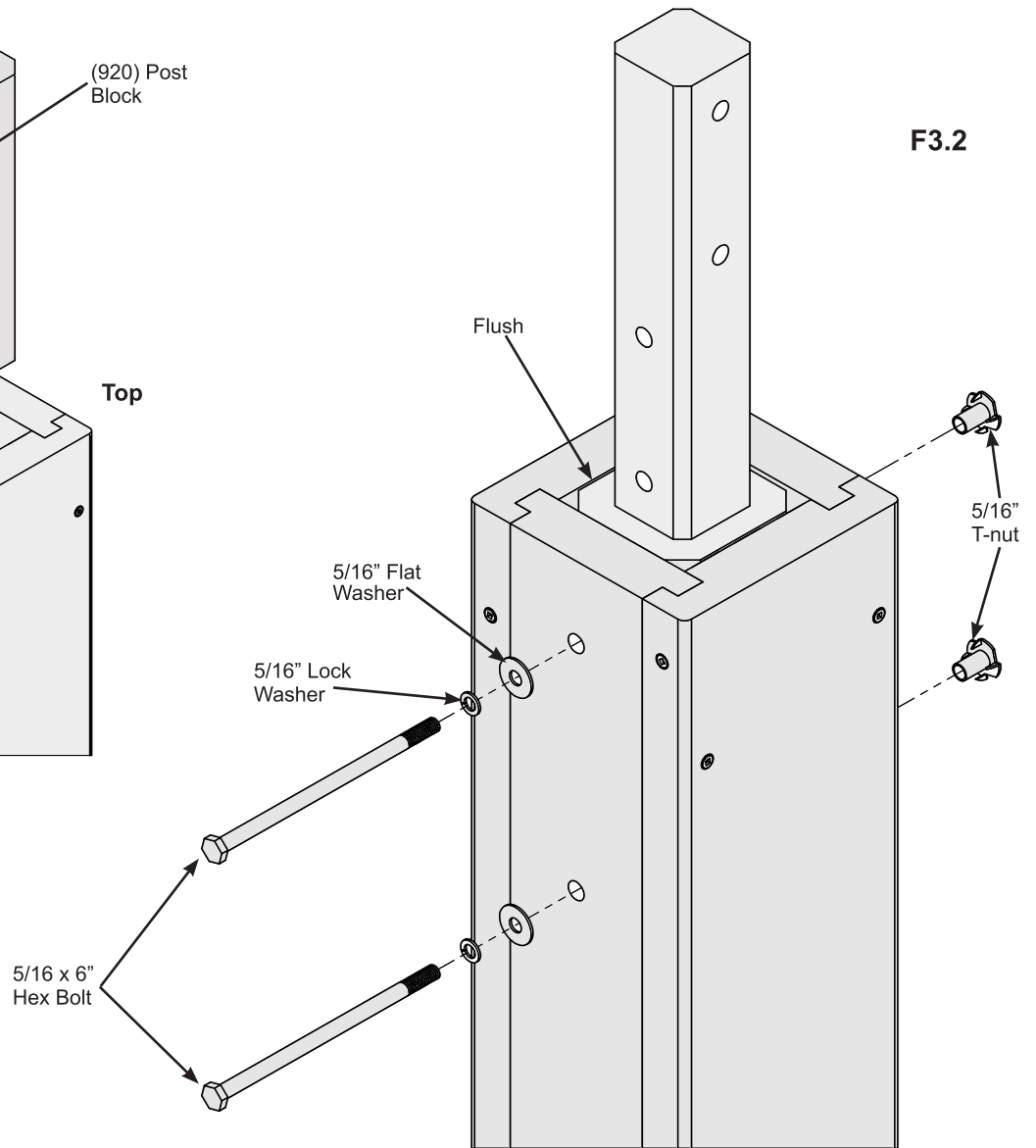
Step 3: Attach Post Block

A: In all six Post Assemblies, place one (920) Post Block inside the top of each (902) Pergola Post. Make sure holes in (920) Post Block align with holes in (902) Pergola Post then attach with two 5/16 x 6" Hex Bolts (with 5/16" lock washer, 5/16" flat washer and 5/16" t-nut). (F3.1 and F3.2)

F3.1



F3.2



Wood Parts

6 x (920) Post Block

Hardware

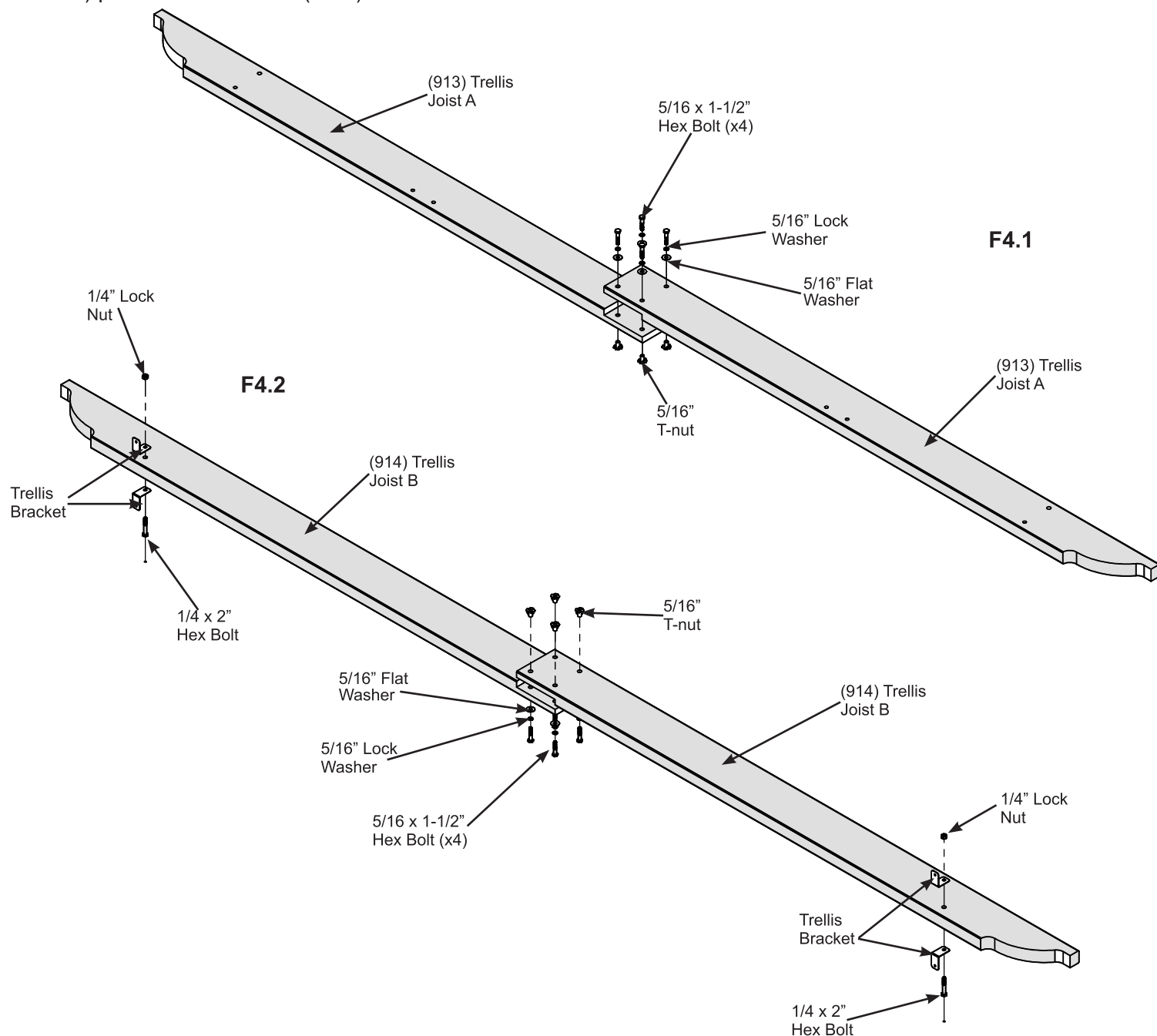
12 x 5/16 x 6" Hex Bolt
(5/16" lock washer, 5/16" flat washer, 5/16" t-nut)

Step 4: Trellis Joist Assembly, Part 1

A: Interlock the cut-outs on two (913) Trellis Joist A and attach using four 5/16 x 1-1/2" Hex Bolts (with 5/16" lock washer, 5/16" flat washer and 5/16" t-nut) as shown in F4.1. Repeat five more times to make six Trellis Joist A Assemblies.

B: Repeat Step A using (914) Trellis Joist B to make eight Trellis Joist B Assemblies. (F4.2)

C: On each Trellis Joist B Assembly attach two Trellis Brackets to each end with one 1/4 x 2" Hex Bolt (with 1/4" lock nut) per set of brackets. (F4.2)



Wood Parts

12 x (913) Trellis Joist A
16 x (914) Trellis Joist B

Components

32 x Trellis Bracket

Hardware

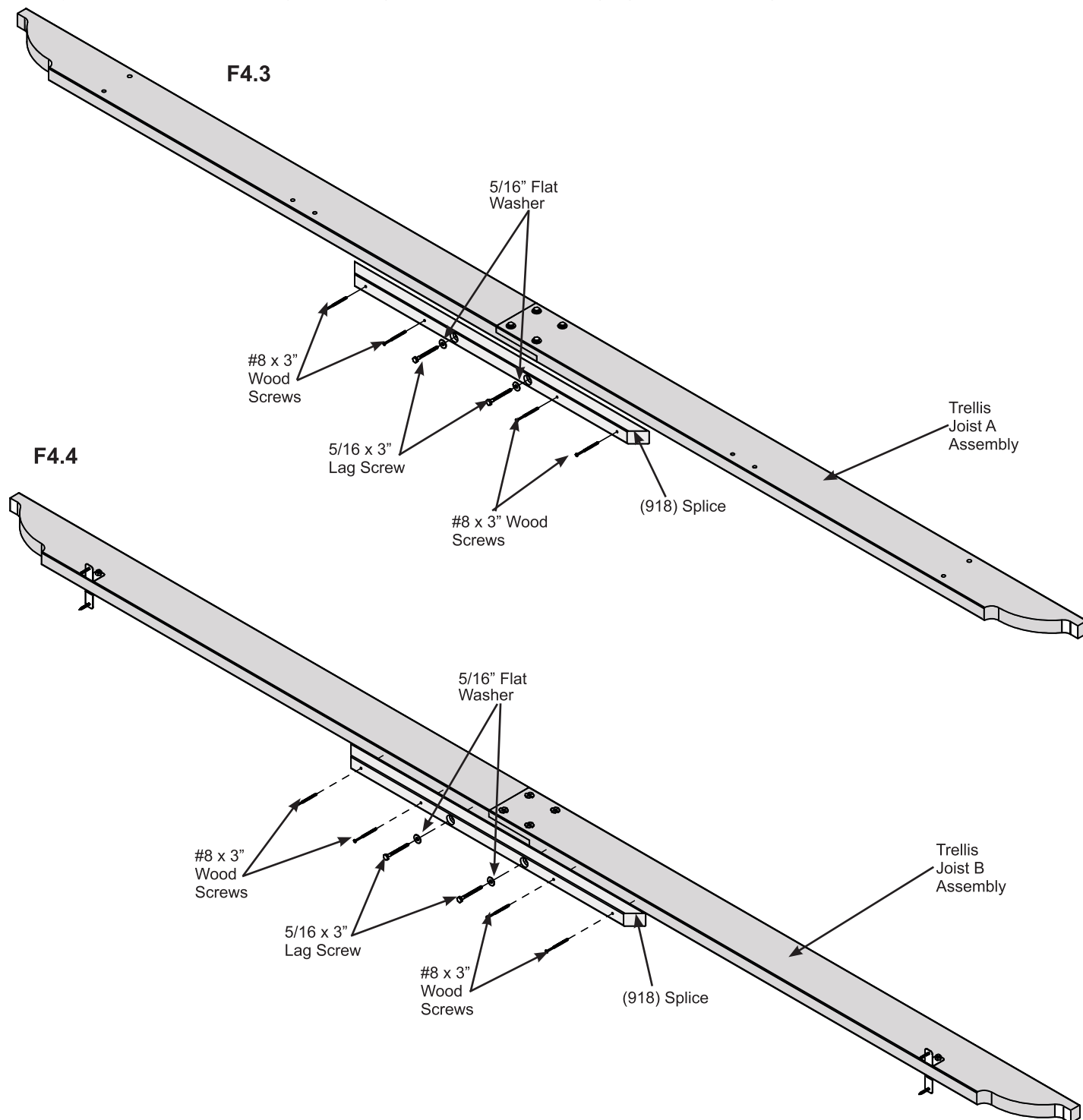
56 x 5/16 x 1-1/2" Hex Bolt
(5/16" lock washer, 5/16" flat washer, 5/16" t-nut)
16 x 1/4 x 2" Hex Bolt (1/4" lock nut)

Step 4: Trellis Joist Assembly, Part 2



D: On the short side of each Trellis Joist A Assembly and each Trellis Joist B Assembly centre one (918) Splice and attach with four #8 x 3" Wood Screws per assembly. (F4.3 and F4.4)

E: In the centre holes of each (918) Splice, pre-drill with a 1/8" drill bit, then attach (918) Splices to each assembly with two 5/16 x 3" Lag Screws (with 5/16" flat washer). (F4.3 and F4.4)



Wood Parts

14 x (918) Splice

Hardware

56 x #8 x 3" Wood Screw

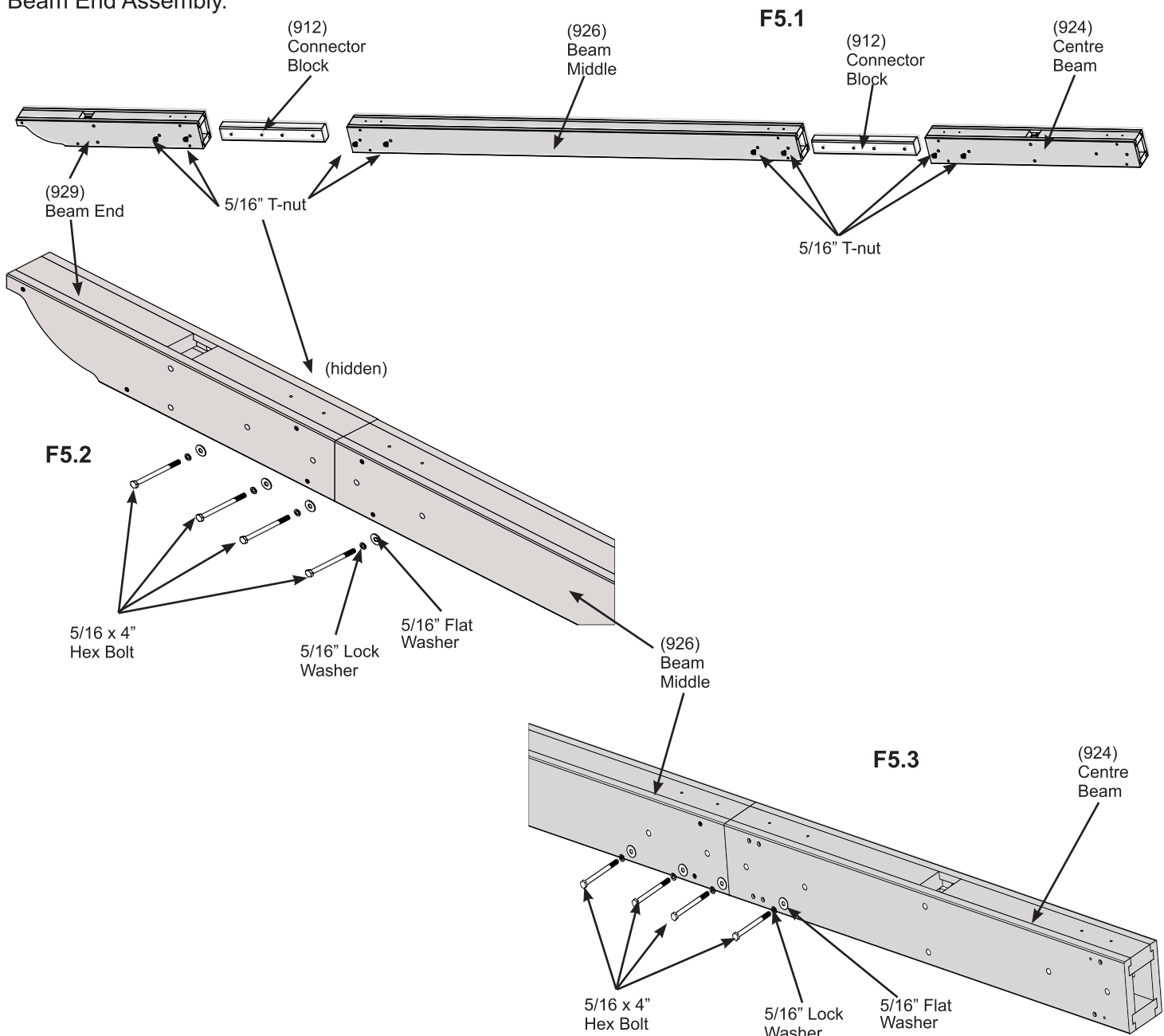
28 x 5/16 x 3" Lag Screw (5/16" flat washer)

Step 5: Beam End Assembly, Part 1

A: At one end of one (926) Beam Middle connect one (929) Beam End using one (912) Connector Block and at the other end connect one (924) Centre Beam using one (912) Connector Block, as shown in F5.1. Notice pilot holes in (926) Beam Middle and (924) Centre Beam are facing up and detail in (929) Beam End are facing down.

B: On each Beam End Assembly loosely attach (926) Beam Middle, (929) Beam Ends and (924) Centre Beams to (912) Connector Blocks with four 5/16 x 4" Hex Bolts (with 5/16" lock washer, 5/16" flat washer and 5/16" t-nut) per connection, as shown in F5.2 and F5.3.

C: Repeat Steps A & B for a second Beam End Assembly, installing bolts from the opposite side from the first Beam End Assembly.



Wood Parts

- 2 x (926) Beam Middle
- 2 x (929) Beam End
- 2 x (924) Centre Beam
- 4 x (912) Connector Block

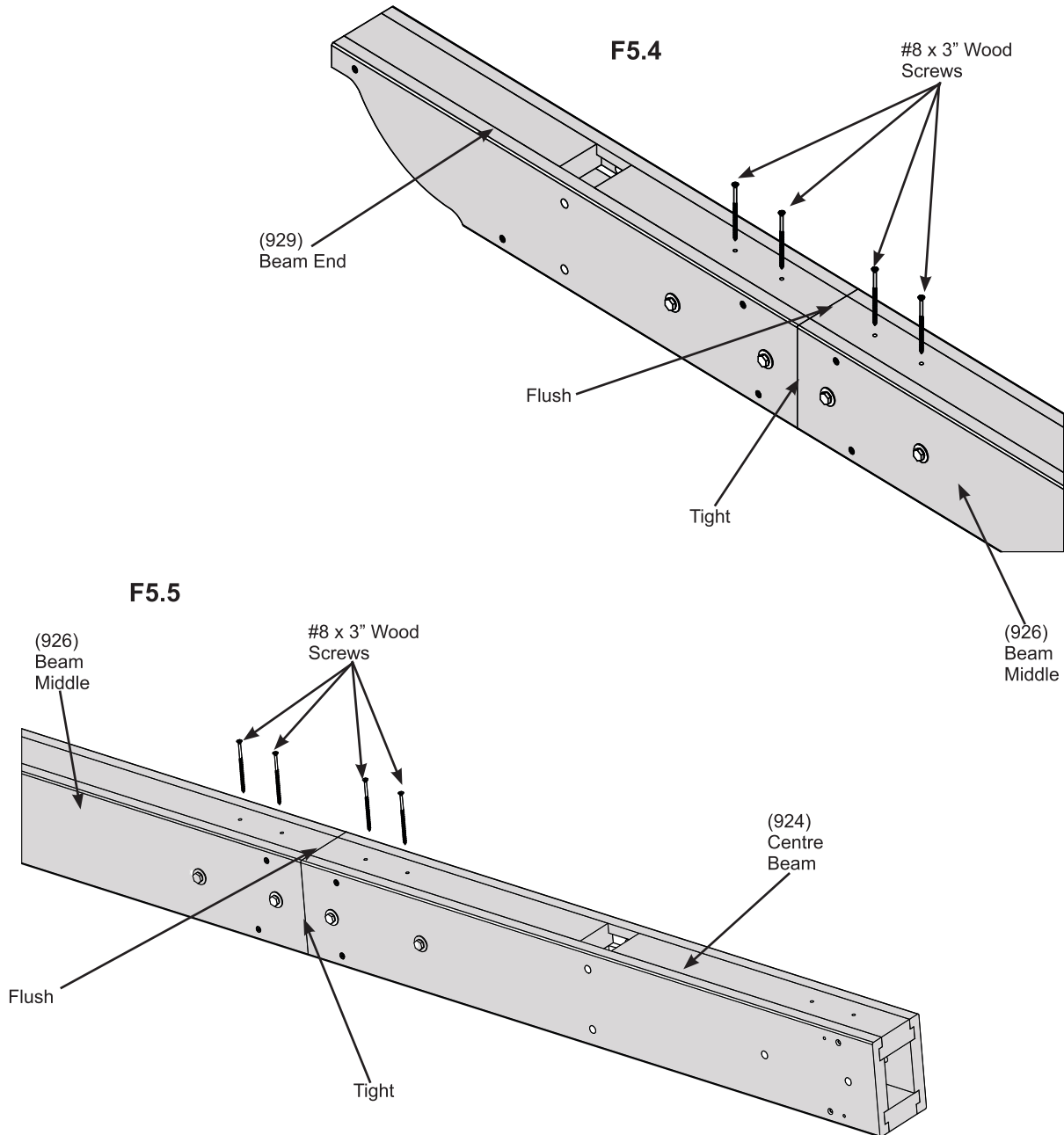
Hardware

- 16 x 5/16 x 4" Hex Bolt
(5/16" lock washer, 5/16" flat washer, 5/16" t-nut)

Step 5: Beam End Assembly, Part 2

C: Make sure (929) Beam Ends, (926) Beam Middles and (924) Centre Beams are tight together and flush on the top for each Beam End Assembly then attach (926) Beam Middle, (929) Beam End and (924) Centre Beam to (912) Connector Blocks with four #8 x 3" Wood Screws per end, as shown in F5.4 and F5.5.

D: Tighten all bolts.



Hardware

16 x #8 x 3" Wood Screw

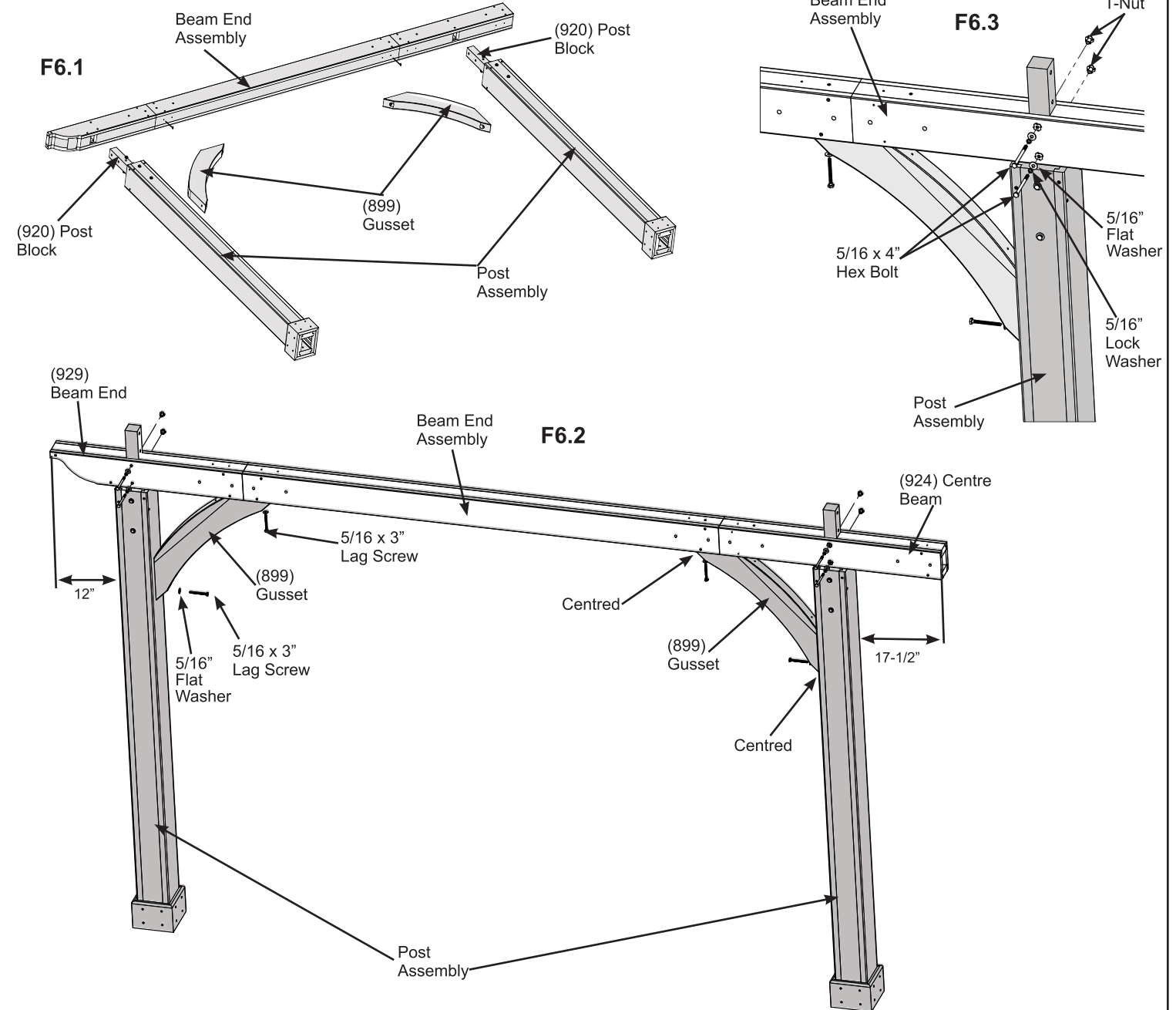
Step 6: Post and Beam Assembly



A: Lay two Post Assemblies on a flat surface with the the bolt heads facing up. Place one Beam End Assembly, with bolt heads facing up, over (920) Post Blocks then attach with two 5/16 x 4" Hex Bolts (with 5/16" lock washer, 5/16" flat washer and 5/16" t-nut) per end. Make sure (929) Beam End overhangs the Post Assembly by 12" and the (924) Centre Beam overhangs the Post Assembly by 17-1/2". The assembly must be square and the bolts must be tight. (F6.1, F6.2 and F6.3)

B: Place one (899) Gusset, centred on Post and Beam Assemblies, in each corner, pre-drill with a 1/8" drill bit and attach to post and beam with two 5/16 x 3" Lag Screws (with 5/16" flat washer) per gusset. (F6.1, F6.2 and F6.3)

C: Repeat Steps A and B to create a second Post and Beam Assembly.



Wood Parts

4 x (899) Gusset

Hardware

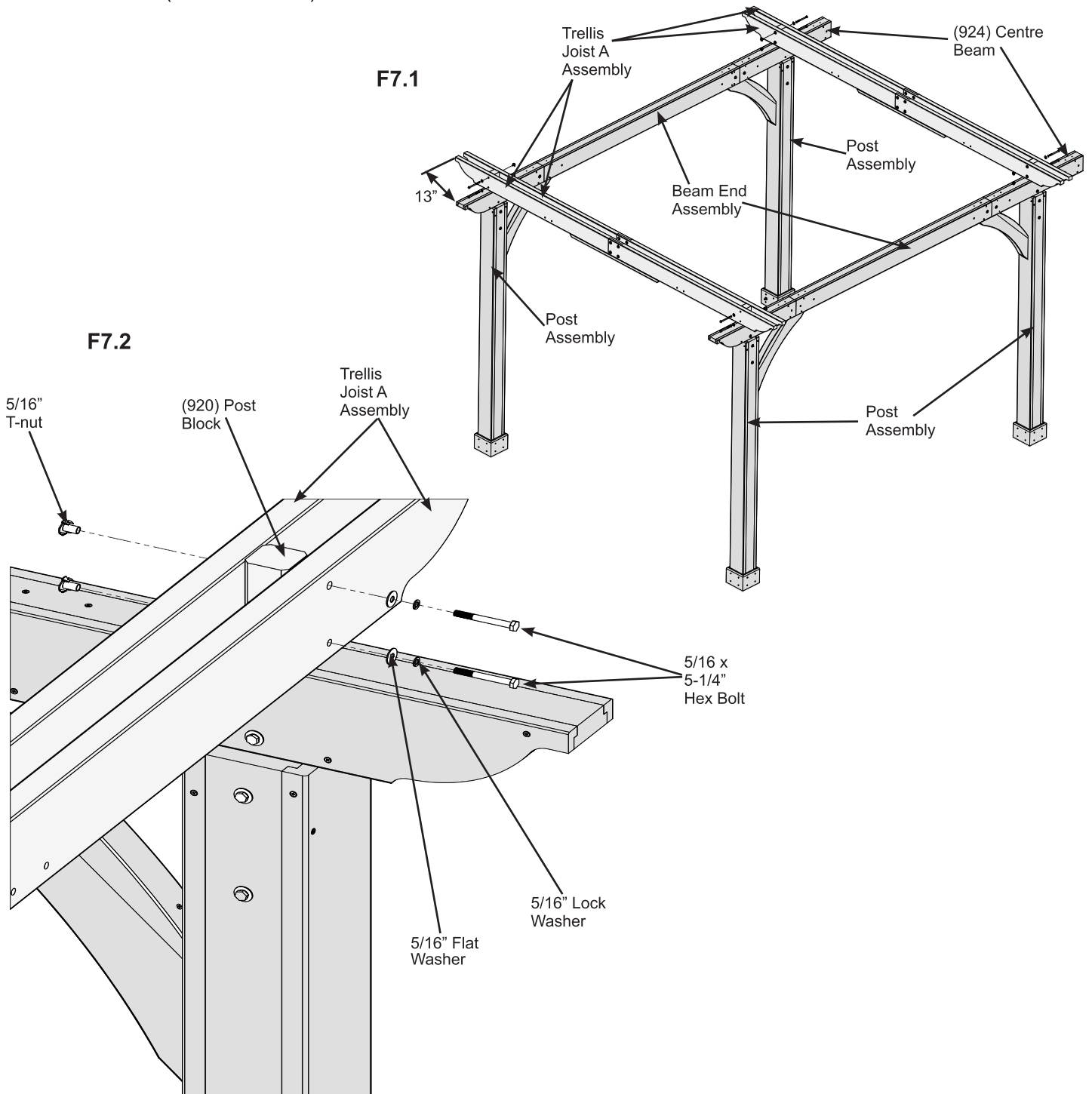
8 x 5/16 x 3" Lag Screw (5/16" flat washer)

8 x 5/16 x 4" Hex Bolt
(5/16" lock washer, 5/16" flat washer, 5/16" t-nut)

Step 7: Attach Trellis Joist A Assemblies



A: Stand both Post and Beam End Assemblies so (924) Centre Beams are on the same side, then place four Trellis Joist A Assemblies on Beam End Assemblies, two at each end, tight to each side of (920) Post Blocks. Ends of each Trellis Joist A Assembly to overhang Beam Assemblies by 13". Attach trellis assemblies to (920) Post Block with two 5/16 x 5-1/4" Hex Bolts (with 5/16" lock washer, 5/16" flat washer and 5/16" t-nut) per corner. Make sure bolt heads face out. (F7.1 and F7.2)



Hardware

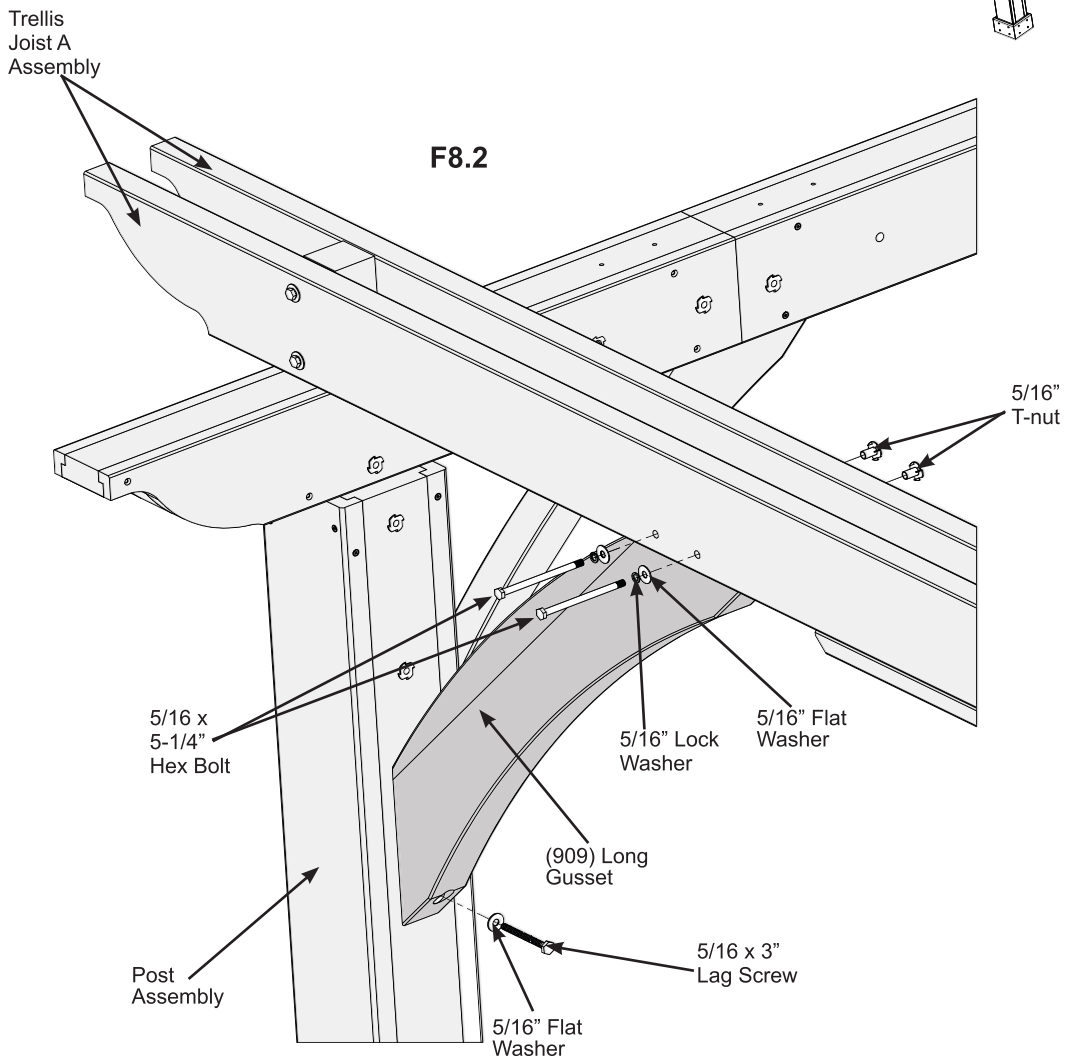
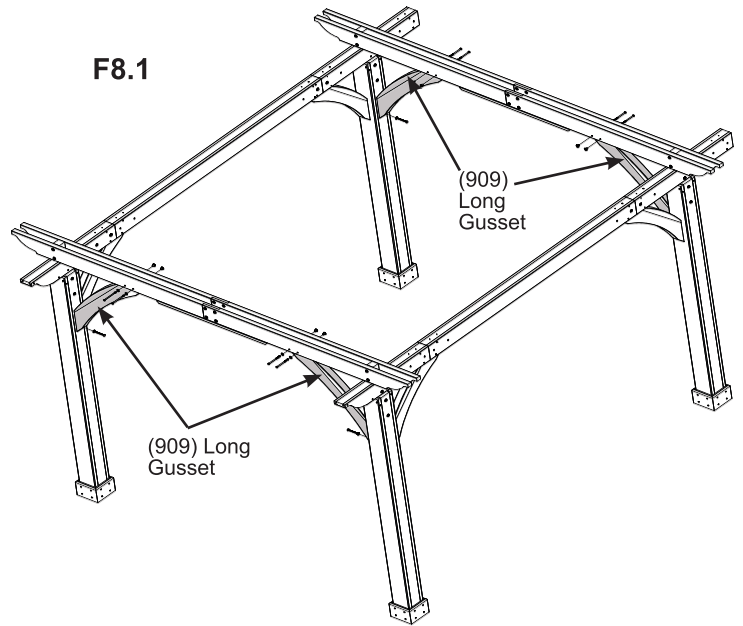
8 x 5/16 x 5-1/4" Hex Bolt
(5/16" lock washer, 5/16" flat washer, 5/16" t-nut)

Step 8: Attach Long Gussets, Part 1



A: Make sure Post Assemblies are square to Trellis Joist A Assemblies then at the four corners in F8.1 place one (909) Long Gusset tight to Post Assembly and in between two Trellis Joist A Assemblies. Loosely attach (909) Long Gussets to Trellis Joist A Assemblies with two 5/16 x 5-1/4" Hex Bolts (with 5/16" lock washer, 5/16" flat washer and 5/16" t-nut) per gusset. (F8.1 and F8.2)

B: Pre-drill with a 1/8" drill bit then attach (909) Long Gusset to Post Assemblies with one 5/16 x 3" Lag Screw (with 5/16" flat washer) per gusset. Tighten all bolts. (F8.2)



Wood Parts

4 x (909) Long Gusset

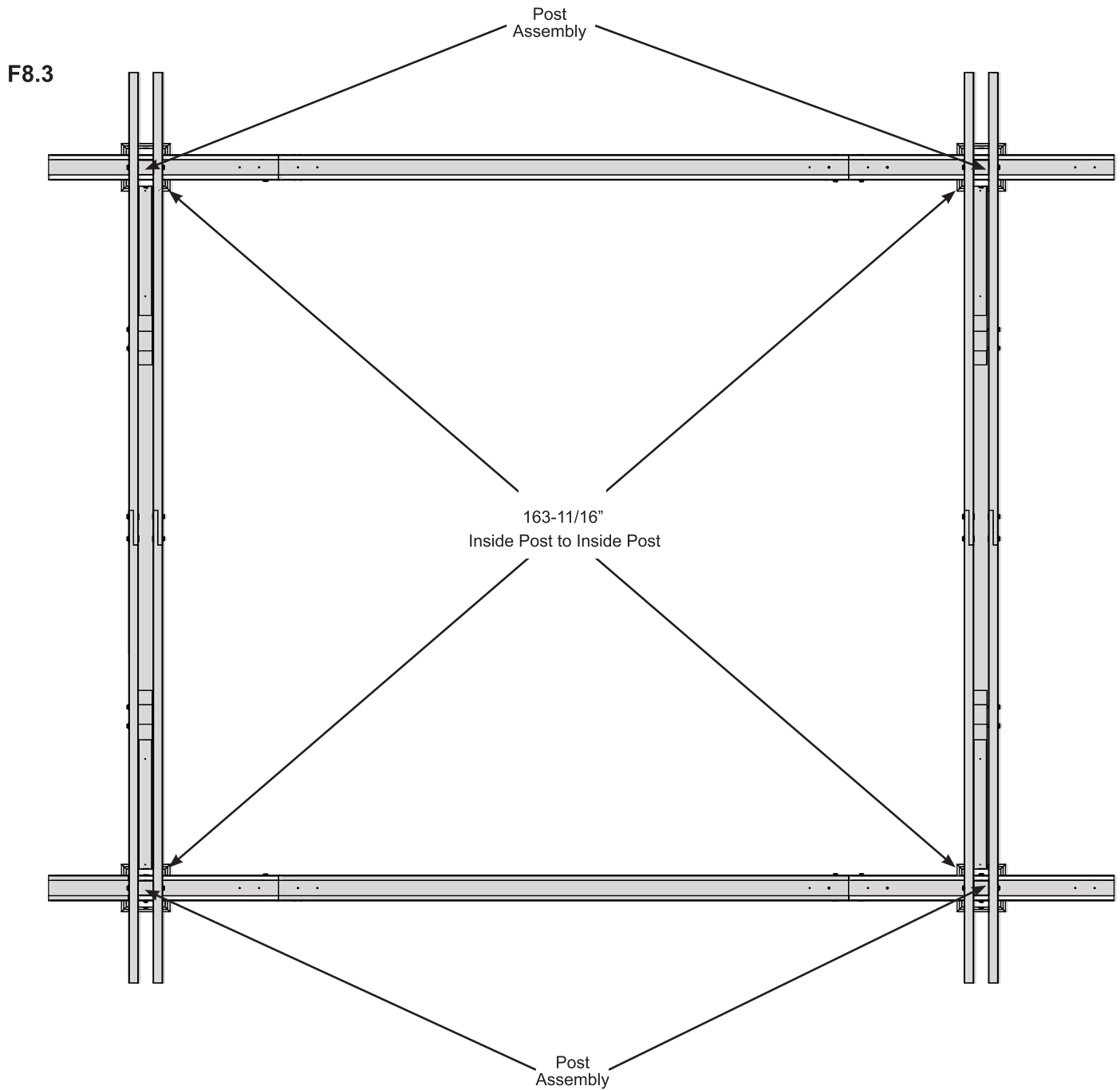
Hardware

4 x 5/16 x 3" Lag Screw (5/16" flat washer)
 8 x 5/16 x 5-1/4" Hex Bolt
 (5/16" lock washer, 5/16" flat washer, 5/16" t-nut)

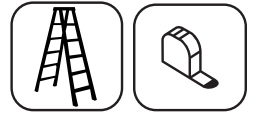
Step 8: Attach Long Gussets, Part 2



C: The diagonal distance between the inside of two Post Assemblies should be $163\text{-}11/16''$ (measuring from post not plinth). (F8.3)

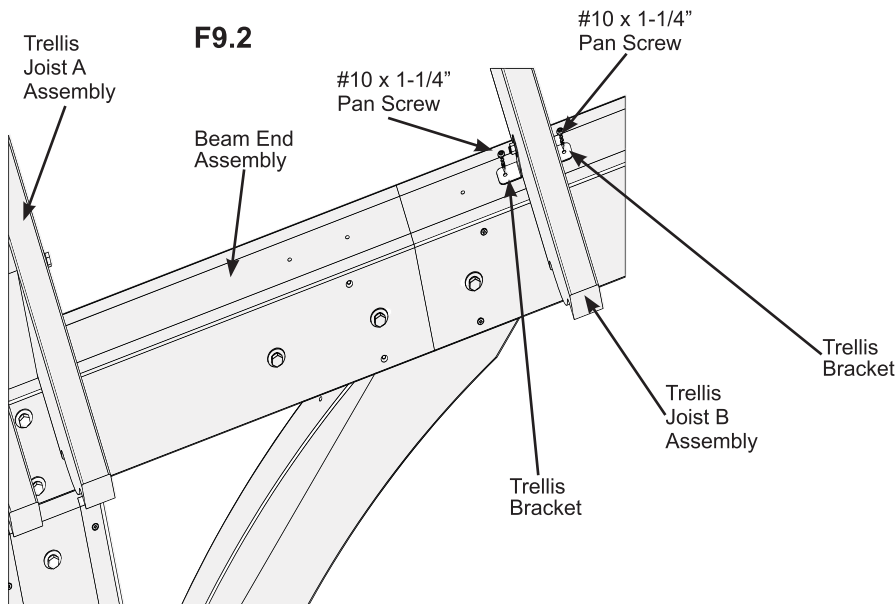
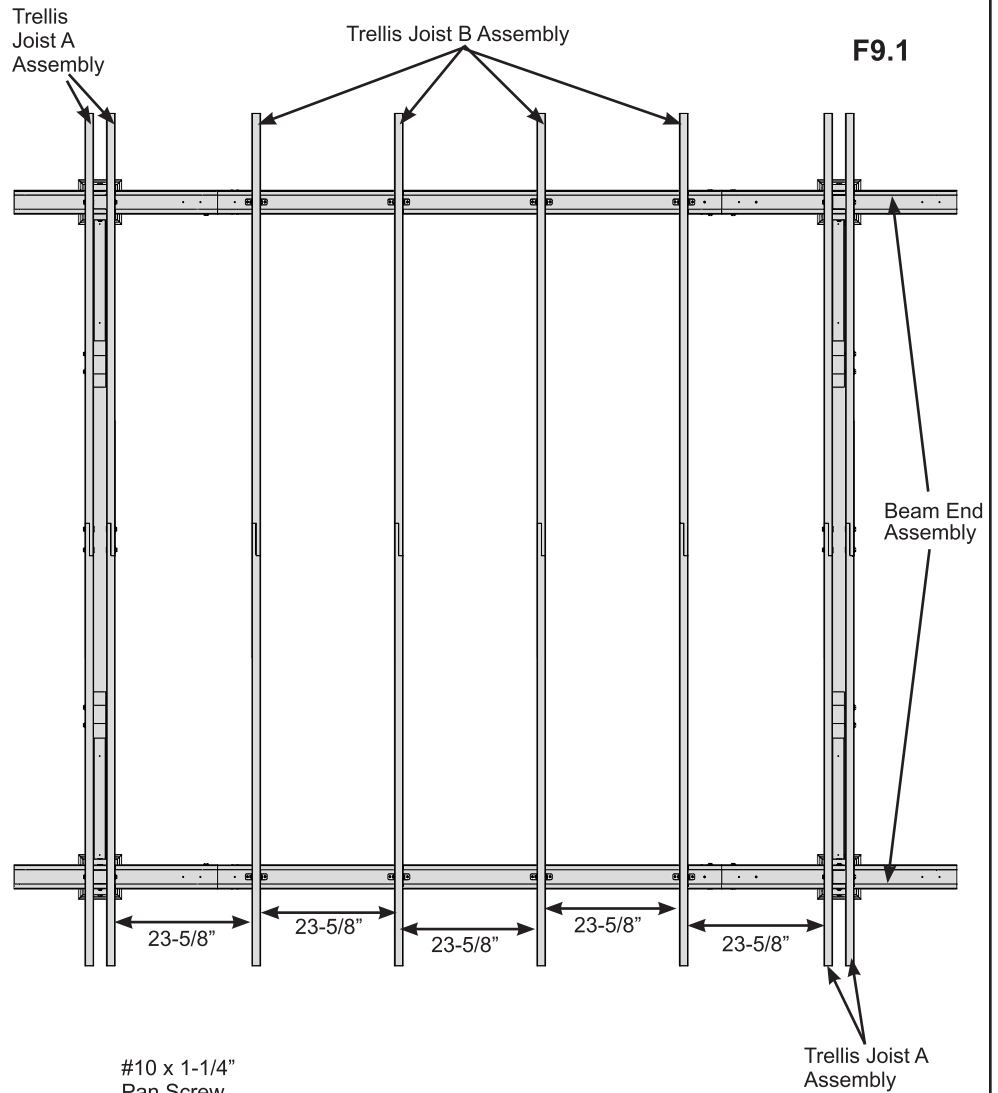


Step 9: Attach Trellis Joist B Assemblies



A: On each Beam End Assembly measure 23-5/8" from inside of one inner Trellis Joist A Assembly then place one Trellis Joist B Assembly at marked location and attach through Trellis Brackets with two #10 x 1-1/4" Pan Screws per end. (F9.1 and F9.2)

B: Place remaining three Trellis Joist B Assemblies on each Beam End Assembly. Distance between assemblies should be 23-5/8". Attach Trellis Joist B Assemblies to Beam End Assemblies through Trellis Brackets with four #10 x 1-1/4" Pan Screws per assembly. (F9.1 and F9.2)



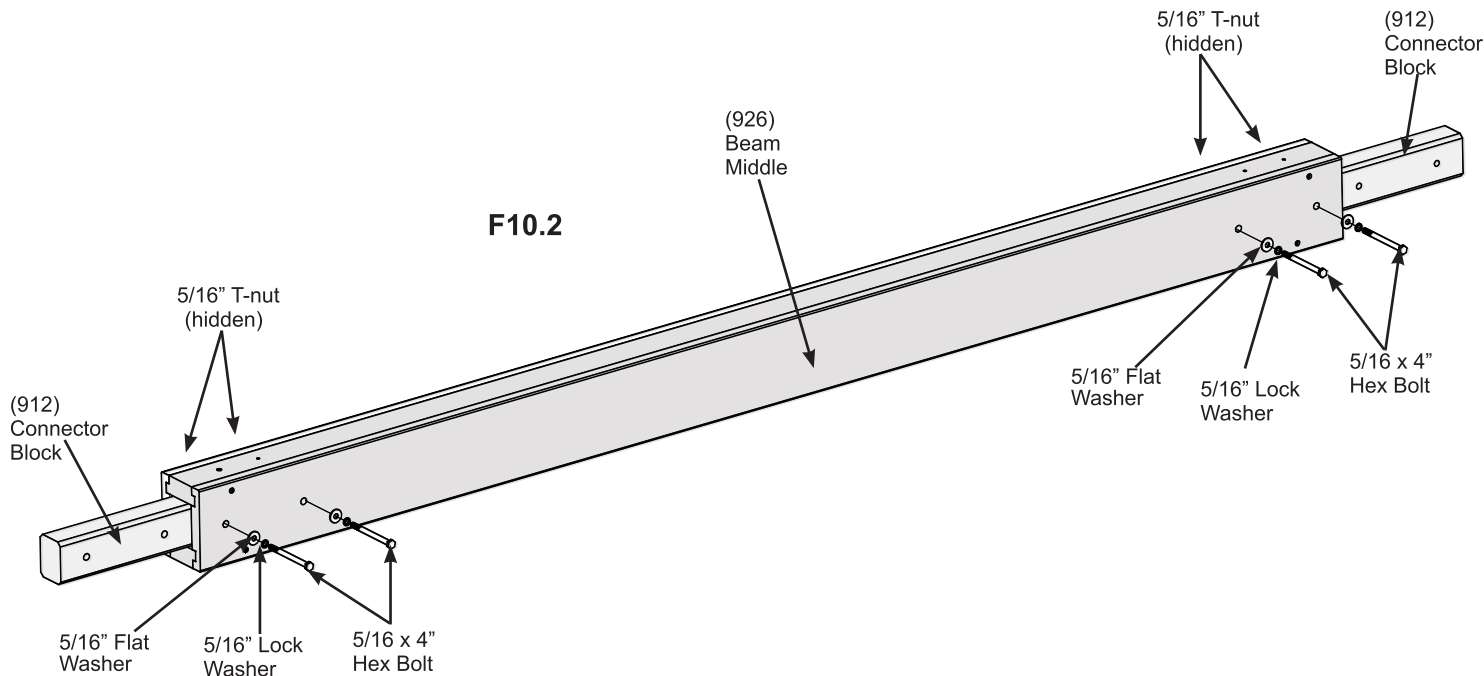
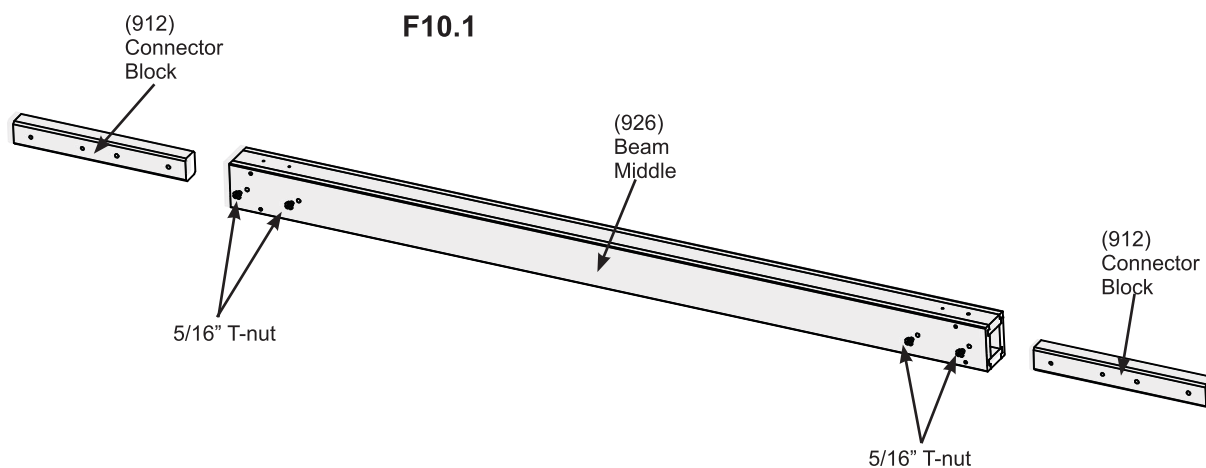
Hardware

16 x #10 x 1-1/4" Pan Screw

Step 10: Beam Assembly

A: At each end of one (926) Beam Middle insert and loosely attach one (912) Connector Block with two 5/16 x 4" Hex Bolts (with 5/16" lock washer, 5/16" flat washer and 5/16" t-nut) per end. Notice pilot holes in (926) Beam Middle are facing up. (F10.1 and F10.2)

B: Repeat Step A for a second Beam Assembly.



Wood Parts

- 2 x (926) Beam Middle
- 4 x (912) Connector Block

Hardware

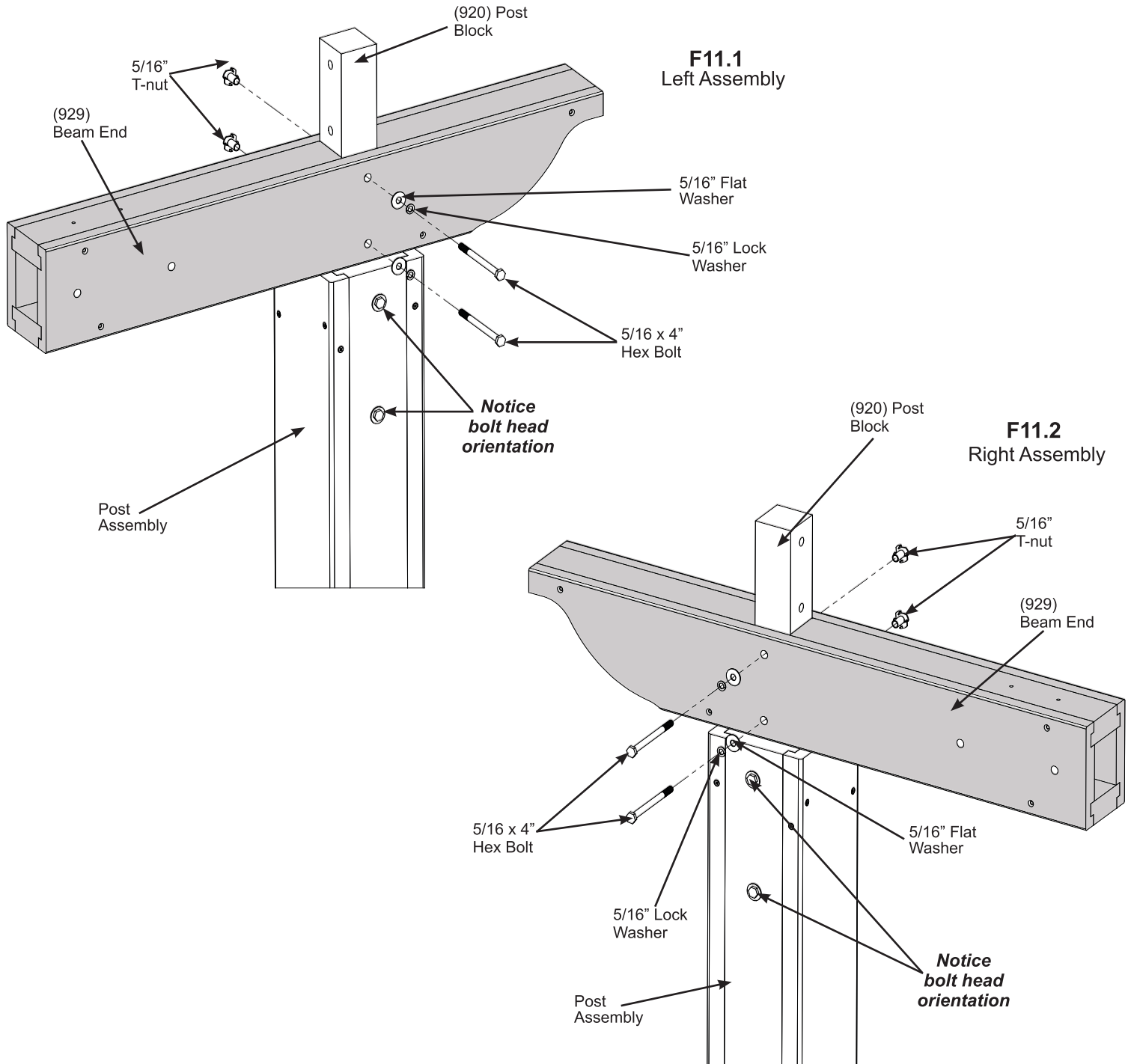
- 8 x 5/16 x 4" Hex Bolt
(5/16" lock washer, 5/16" flat washer, 5/16" t-nut)

Step 11: Frame Assembly, Part 1



A: On one remaining Post Assembly place one (929) Beam End over each (920) Post Block then attach with two 5/16 x 4" Hex Bolts (with 5/16" lock washer, 5/16" flat washer and 5/16" t-nut). Make sure (929) Beam End overhangs the Post Assembly by 12" as shown in Step 6, F6.2. This will be the Left Post Assembly. (F11.1)

B: Repeat Step A for the remaining Post Assembly with the bolts installed on the opposite side. This will be the Right Post Assembly (F11.2)



Wood Parts

2 x (929) Beam End

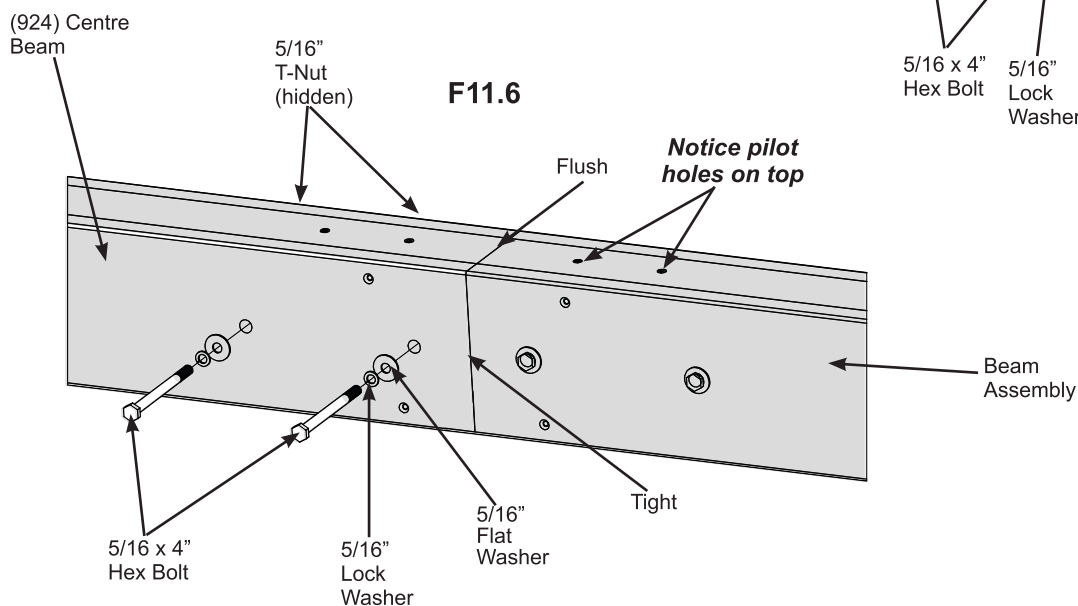
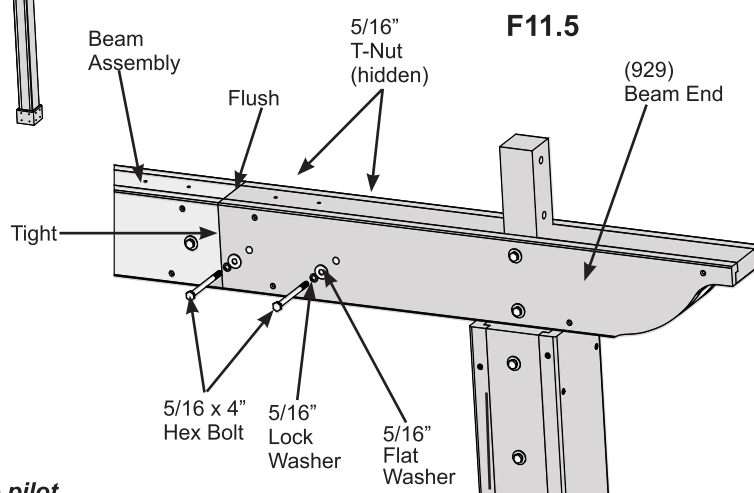
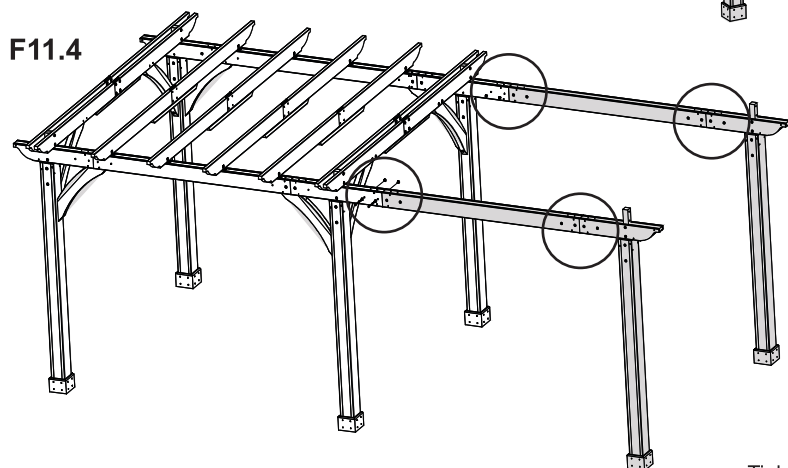
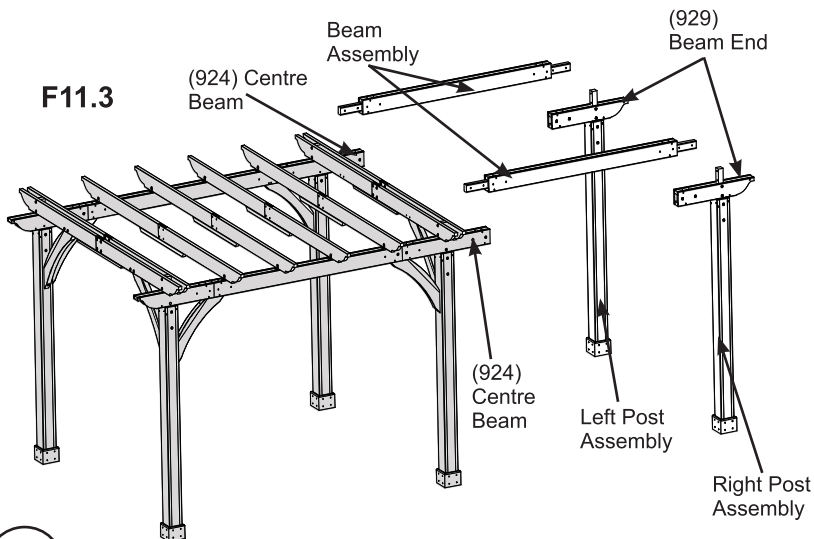
Hardware

4 x 5/16 x 4" Hex Bolt
(5/16" lock washer, 5/16" flat washer, 5/16" t-nut)

Step 11: Frame Assembly, Part 2



C: Stand Left and Right Post assemblies then insert Beam Assemblies from Step 10 into (924) Centre Beams and (929) Beam Ends. Loosely attach (924) Centre Beams and (929) Beam Ends to (912) Connector Blocks with two 5/16 x 4" Hex Bolts (with 5/16" lock washer, 5/16" flat washer and 5/16" t-nut) per connection. Make sure bolts are facing out and pilot holes in Beam Assembly are at the top. (F11.3, F11.4, F11.5 and F11.6)



Hardware

8 x 5/16 x 4" Hex Bolt
(5/16" lock washer, 5/16" flat washer, 5/16" t-nut)

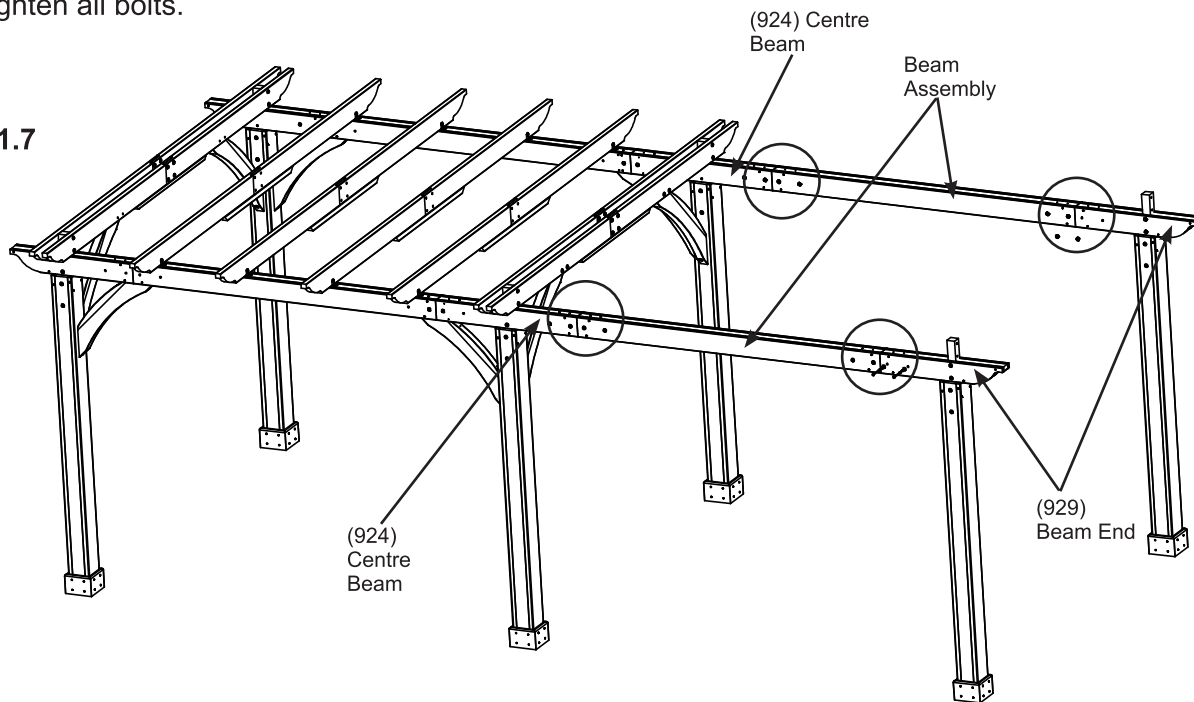
Step 11: Frame Assembly, Part 3



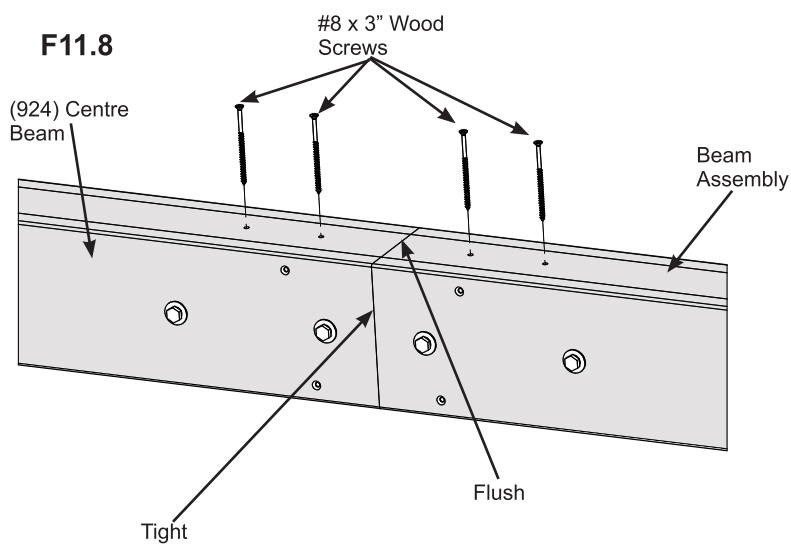
D: Make sure (929) Beam Ends, (926) Beam Middles and (924) Centre Beams are tight together and flush on the top for each Beam Assembly then attach (926) Beam Middle, (929) Beam End and (924) Centre Beam to (912) Connector Blocks with four #8 x 3" Wood Screws per connection, as shown in F11.7, F11.8 and F11.9.

E: Tighten all bolts.

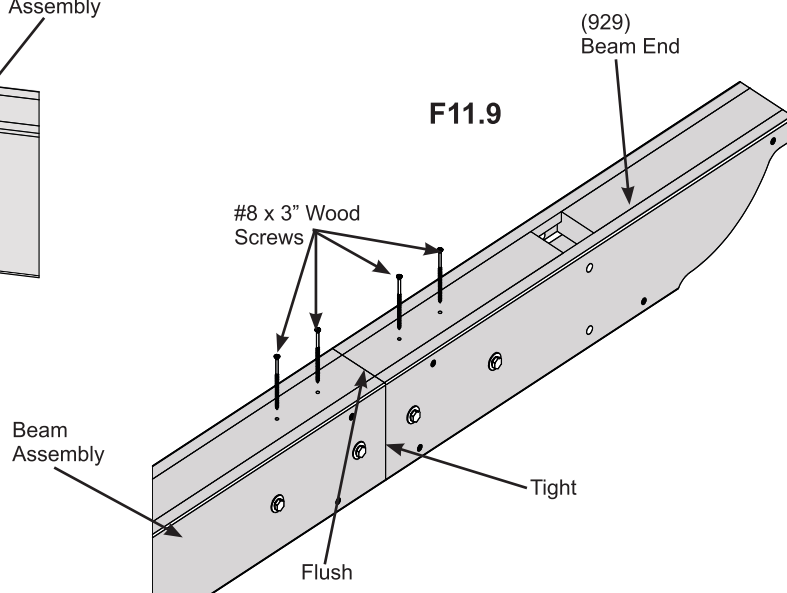
F11.7



F11.8



F11.9



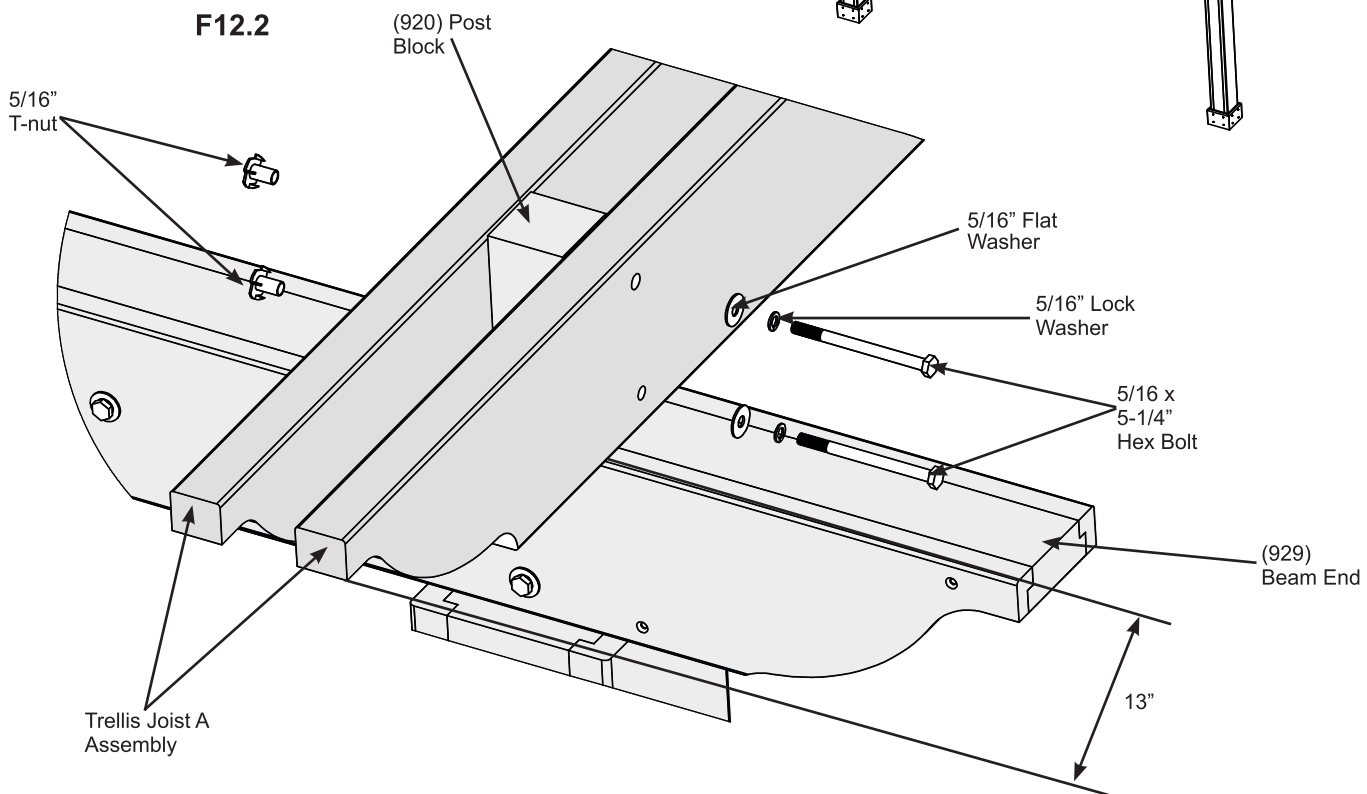
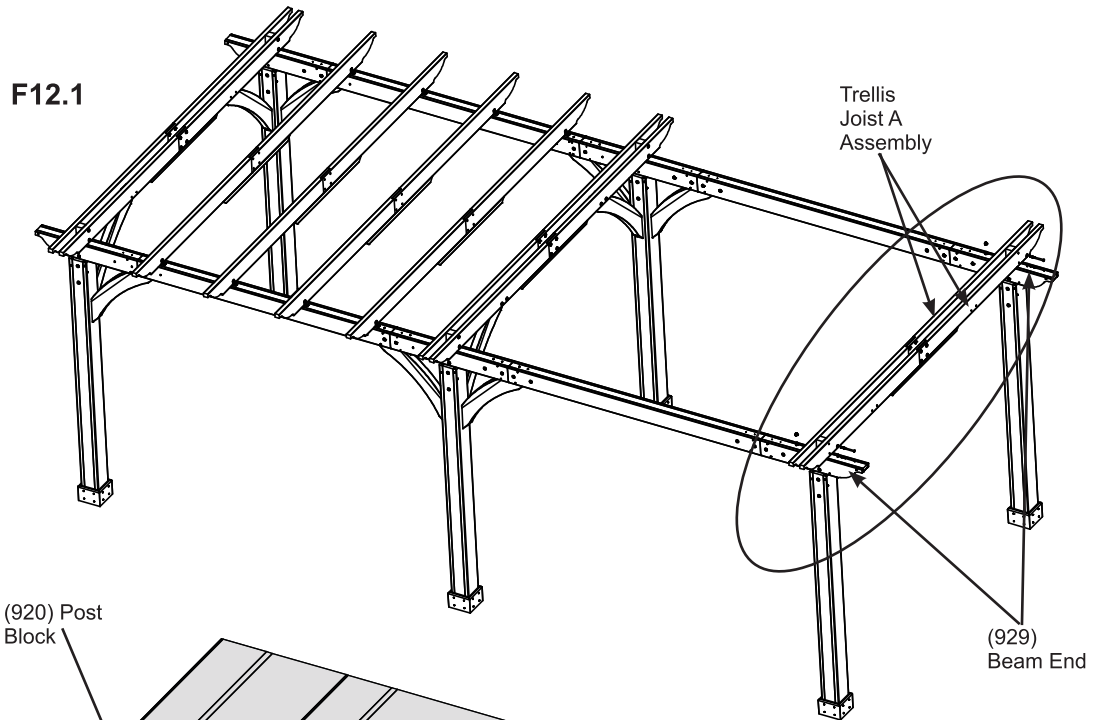
Hardware

16 x #8 x 3" Wood Screw

Step 12: Attach Trellis Joist A Assemblies



A: Place two Trellis Joist A Assemblies on (929) Beam Ends, tight to each side of (920) Post Blocks. Ends of each Trellis Joist A Assembly to overhang Beam Assemblies by 13". Attach trellis assemblies to (920) Post Block with two 5/16 x 5-1/4" Hex Bolts (with 5/16" lock washer, 5/16" flat washer and 5/16" t-nut) per (920) Post Block. Make sure bolt heads face out. (F12.1 and F12.2)



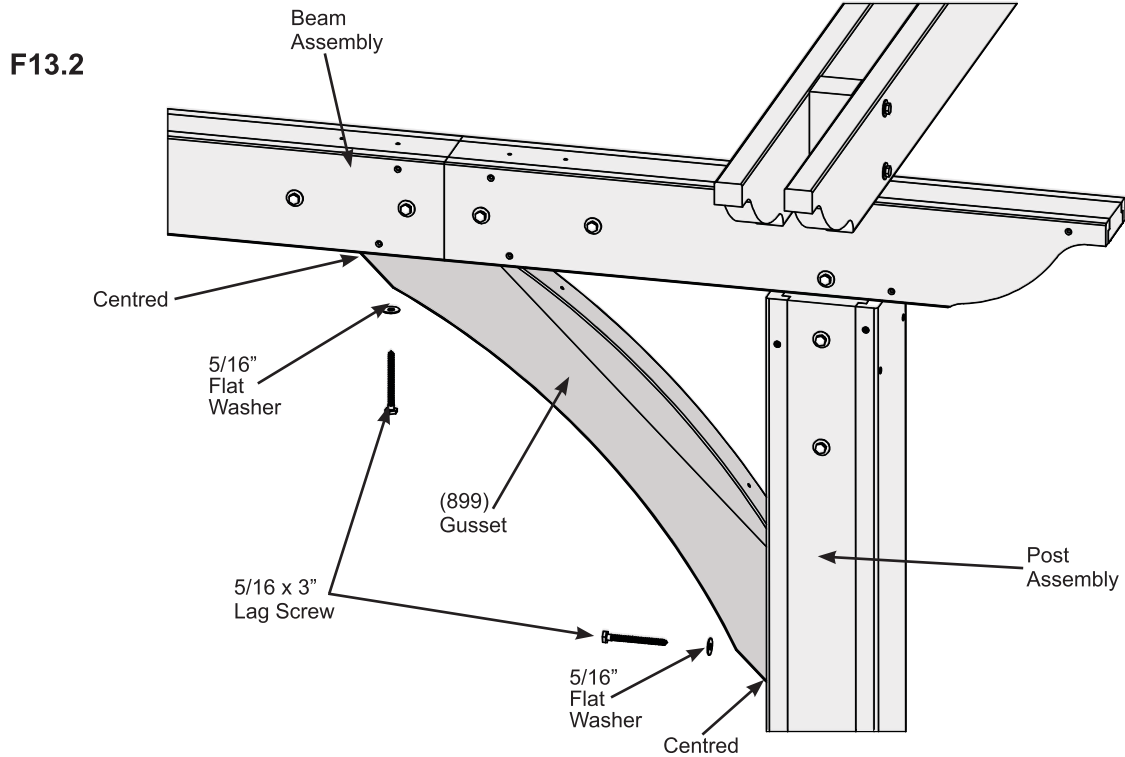
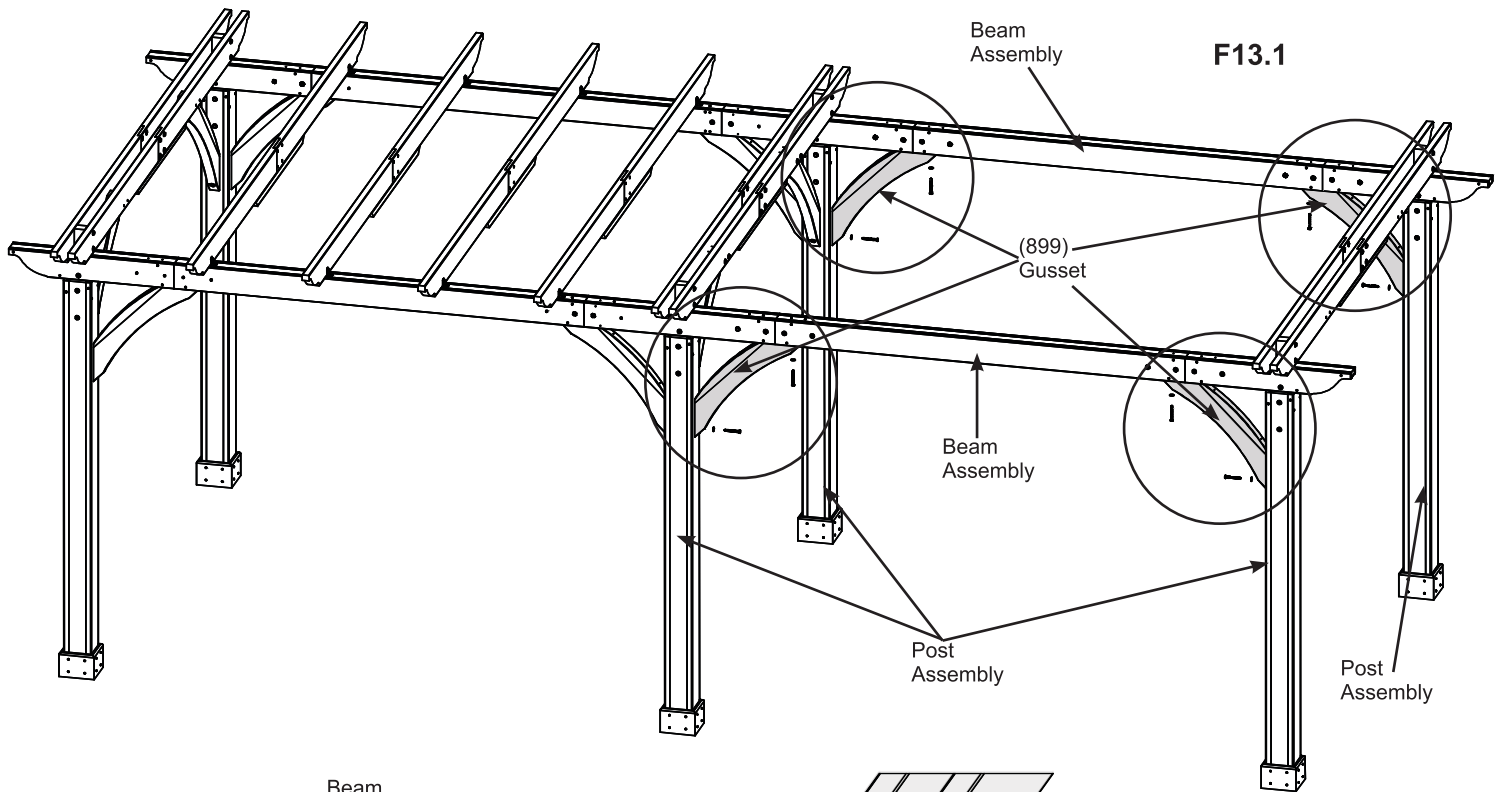
Hardware

4 x 5/16 x 5-1/4" Hex Bolt
(5/16" lock washer, 5/16" flat washer, 5/16" t-nut)

Step 13: Attach Gussets



A: Make sure assembly is square then place one (899) Gusset, centred on Post and Beam Assemblies, in each corner, pre-drill with a 1/8" drill bit and attach to post and beam with two 5/16 x 3" Lag Screws (with 5/16" flat washer) per gusset. (F13.1 and F13.2)



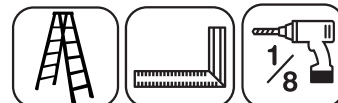
Wood Parts

4 x (899) Gusset

Hardware

8 x 5/16 x 3" Lag Screw (5/16" flat washer)

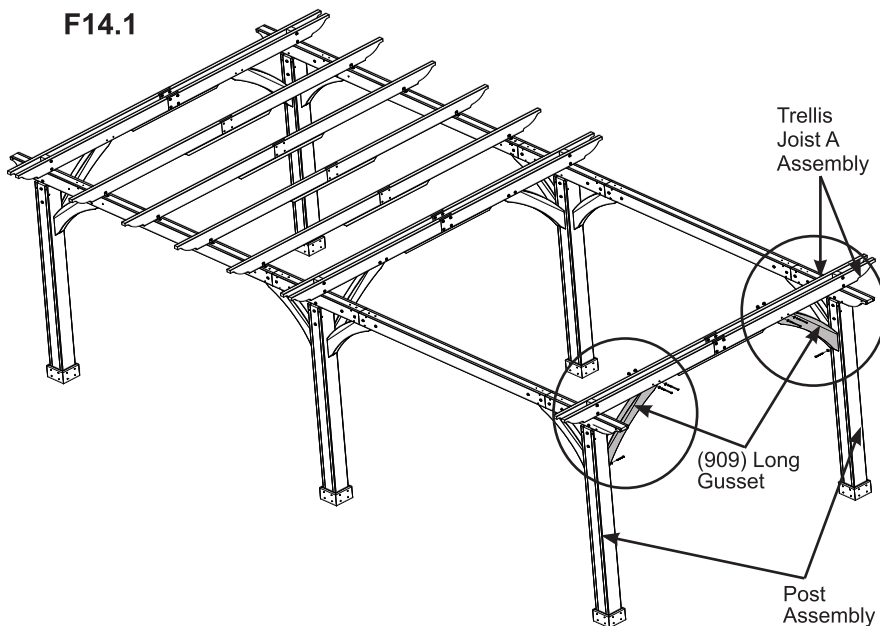
Step 14: Attach Long Gussets, Part 1



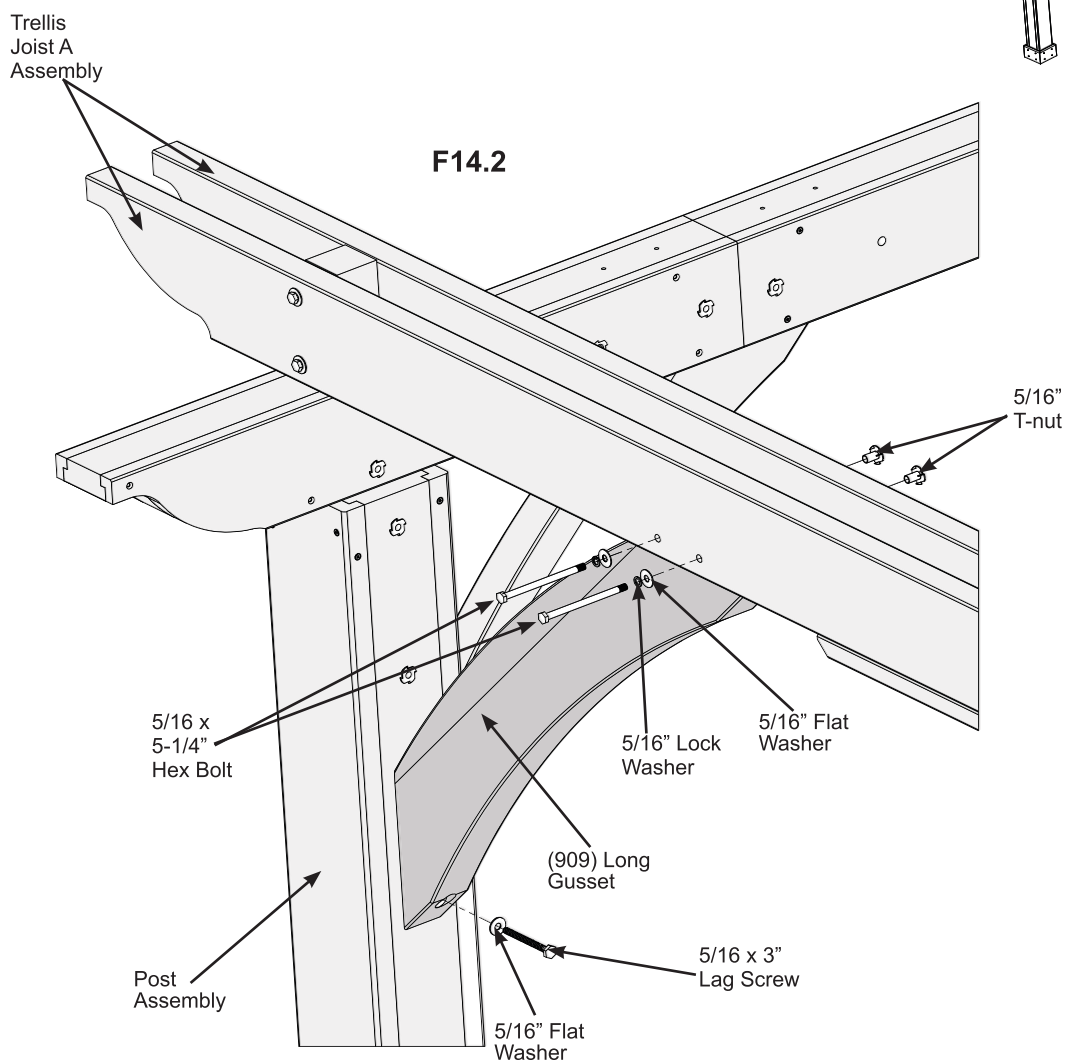
A: Make sure Post Assemblies are square to Trellis Joist A Assemblies then at the two remaining corners in F14.1 place one (909) Long Gusset tight to Post Assembly and in between two Trellis Joist A Assemblies. Loosely attach (909) Long Gussets to Trellis Joist A Assemblies with two 5/16 x 5-1/4" Hex Bolts (with 5/16" lock washer, 5/16" flat washer and 5/16" t-nut) per gusset. (F14.1 and F14.2)

B: Pre-drill with a 1/8" drill bit then attach (909) Long Gusset to Post Assemblies with one 5/16 x 3" Lag Screw (with 5/16" flat washer) per gusset. Tighten all bolts. (F14.2)

F14.1



F14.2



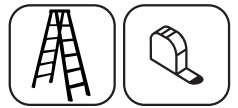
Wood Parts

2 x (909) Long Gusset

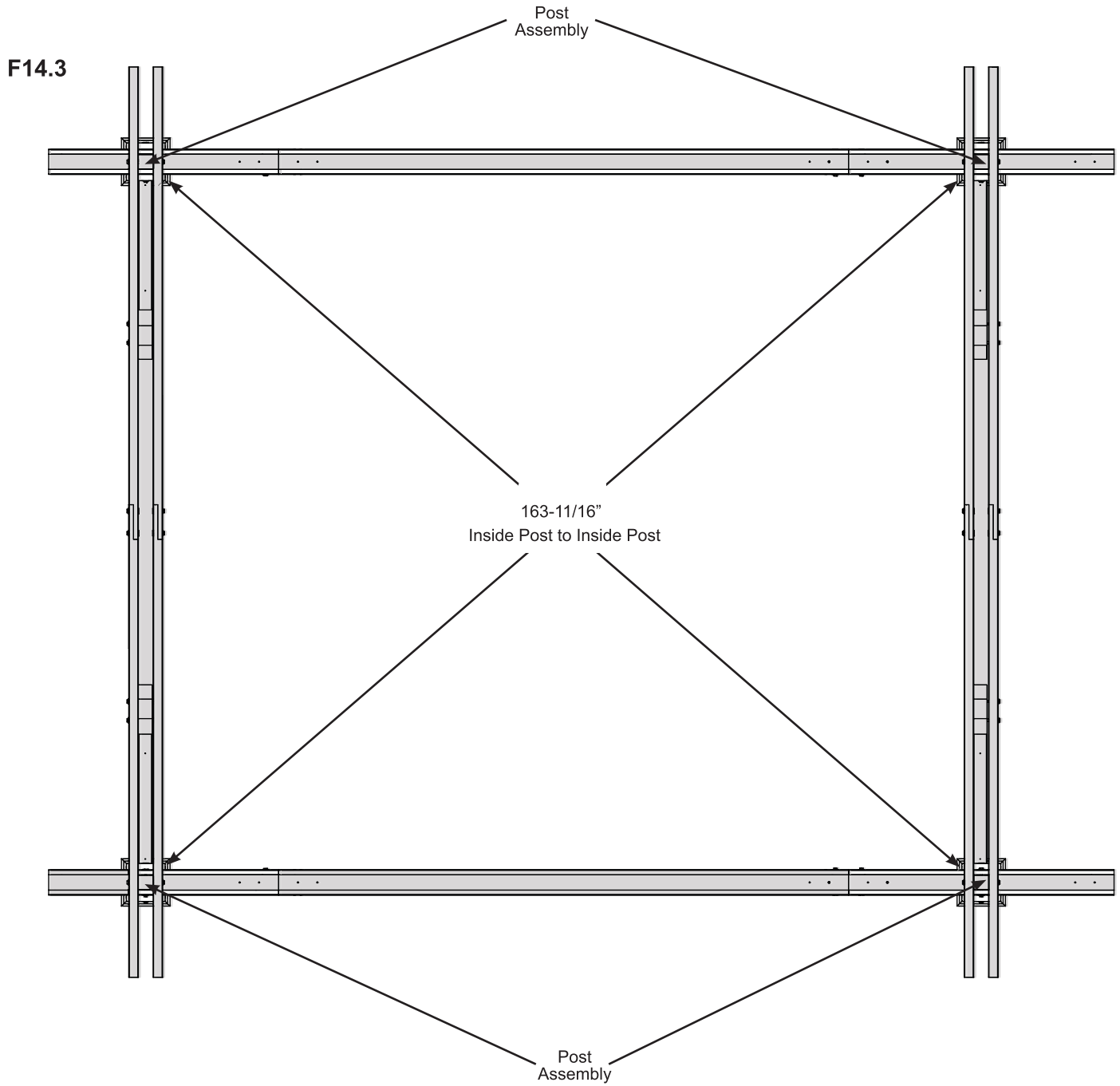
Hardware

2 x 5/16 x 3" Lag Screw (5/16" flat washer)
 4 x 5/16 x 5-1/4" Hex Bolt
 (5/16" lock washer, 5/16" flat washer, 5/16" t-nut)

Step 14: Attach Long Gussets, Part 2



C: The diagonal distance between the inside of two Post Assemblies should be $163\text{-}11/16''$ (measuring from post not plinth). (F14.3)

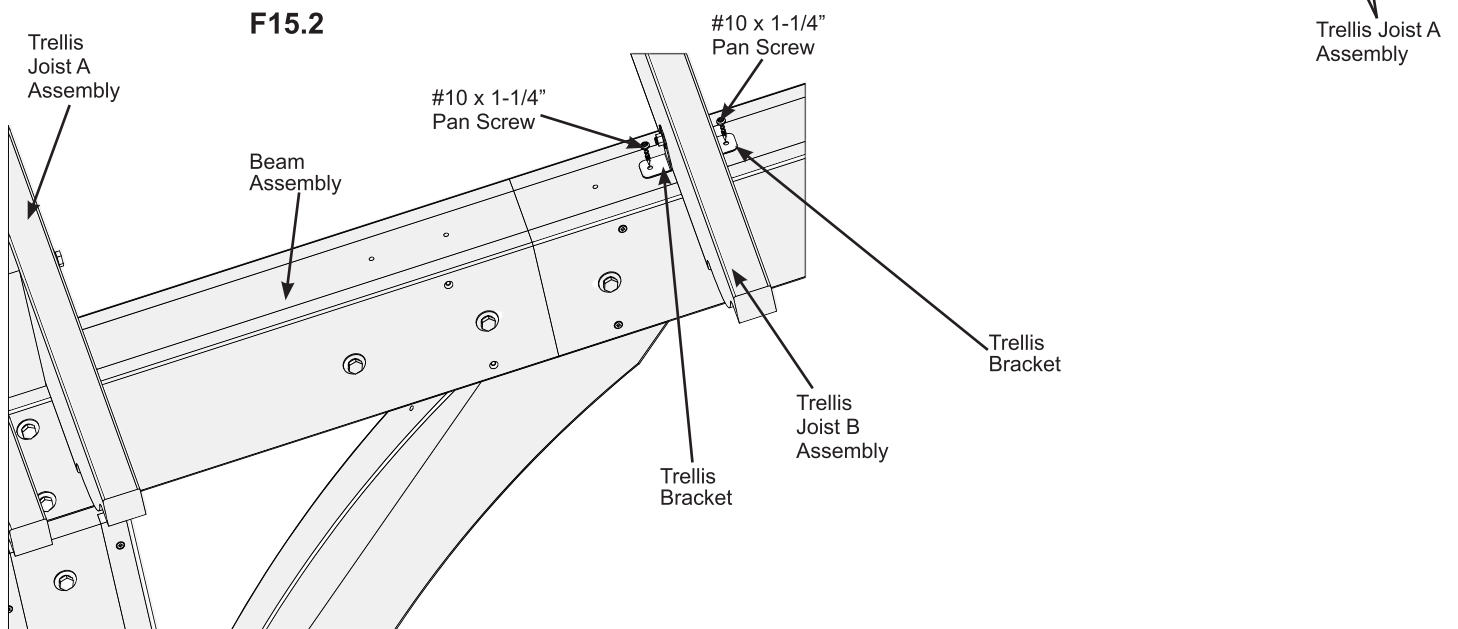
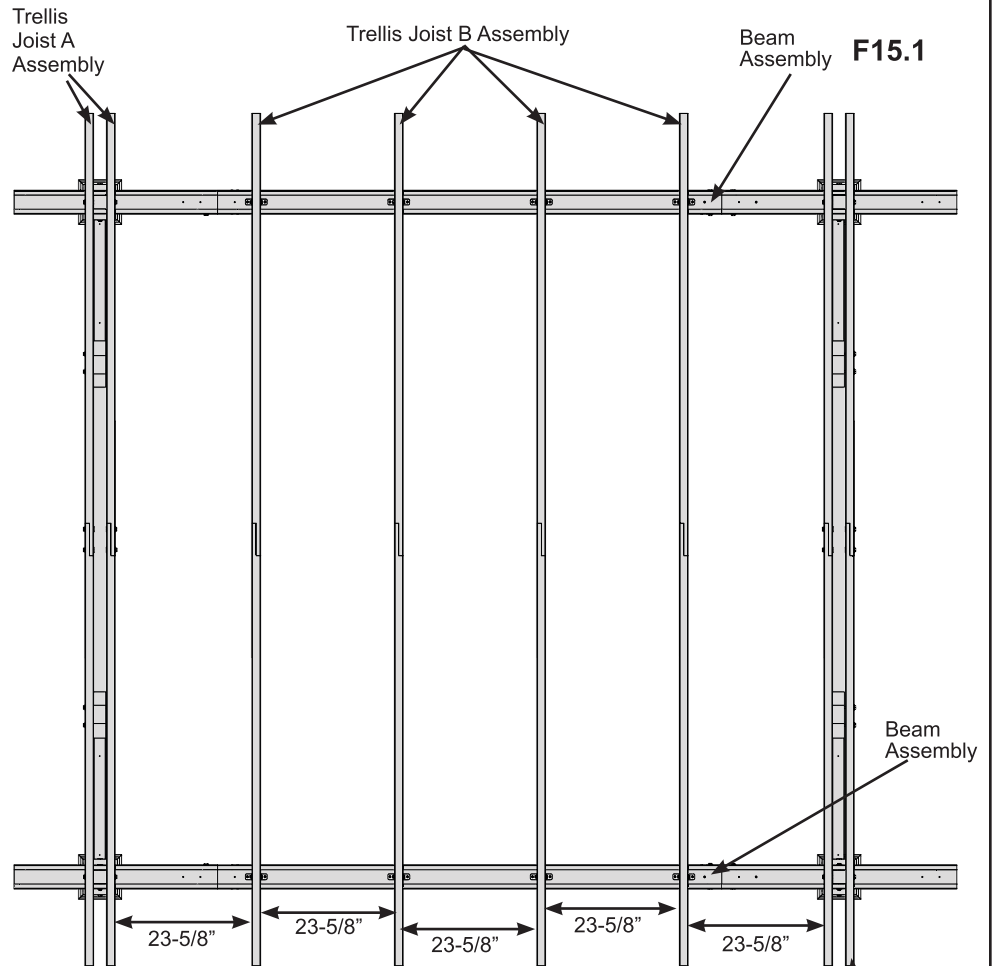


Step 15: Attach Trellis Joist B Assemblies



A: On each Beam Assembly measure 23-5/8" from inside of one inner Trellis Joist A Assembly then place one Trellis Joist B Assembly at marked location and attach through Trellis Brackets with two #10 x 1-1/4" Pan Screws per end. (F15.1 and F15.2)

B: Place remaining three Trellis Joist B Assemblies on each Beam Assembly. Distance between assemblies should be 23-5/8". Attach Trellis Joist B Assemblies to Beam Assemblies through Trellis Brackets with four #10 x 1-1/4" Pan Screws per assembly. (F15.1 and F15.2)



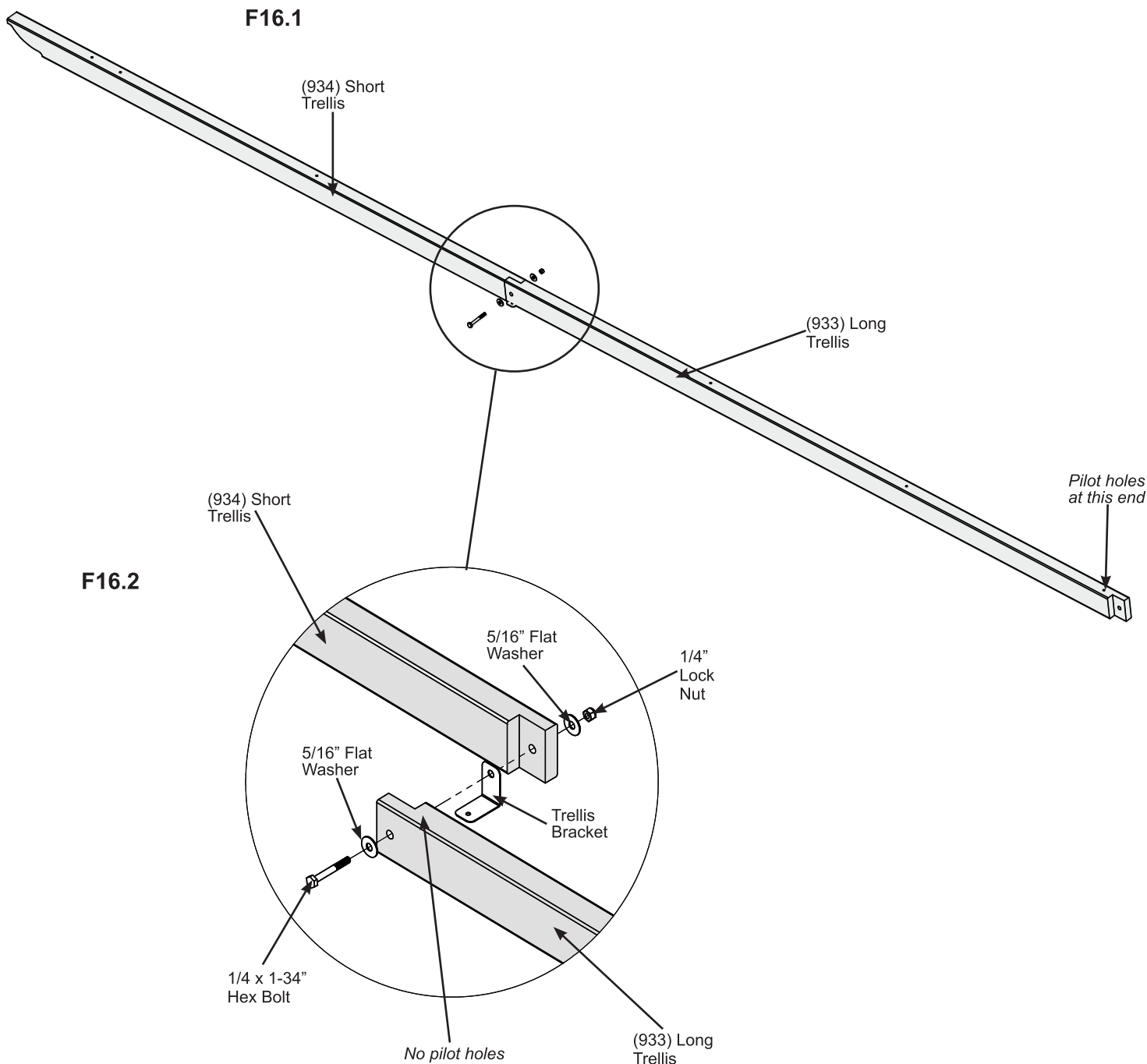
Hardware

16 x #10 x 1-1/4" Pan Screw

Step 16: Trellis Assembly

A: Connect the end of one (933) Long Trellis which does not have pilot holes to one (934) Short Trellis using one Trellis Bracket with one 1/4 x 1-3/4" Hex Bolt (with 5/16" flat washer x 2 and 1/4" lock nut). (F16.1 and F16.2)

B: Repeat Step A to complete 19 more Trellis Assemblies. There will be 20 in total.



Wood Parts

20 x (934) Short Trellis
20 x (933) Long Trellis

Components

20 x Trellis Bracket

Hardware

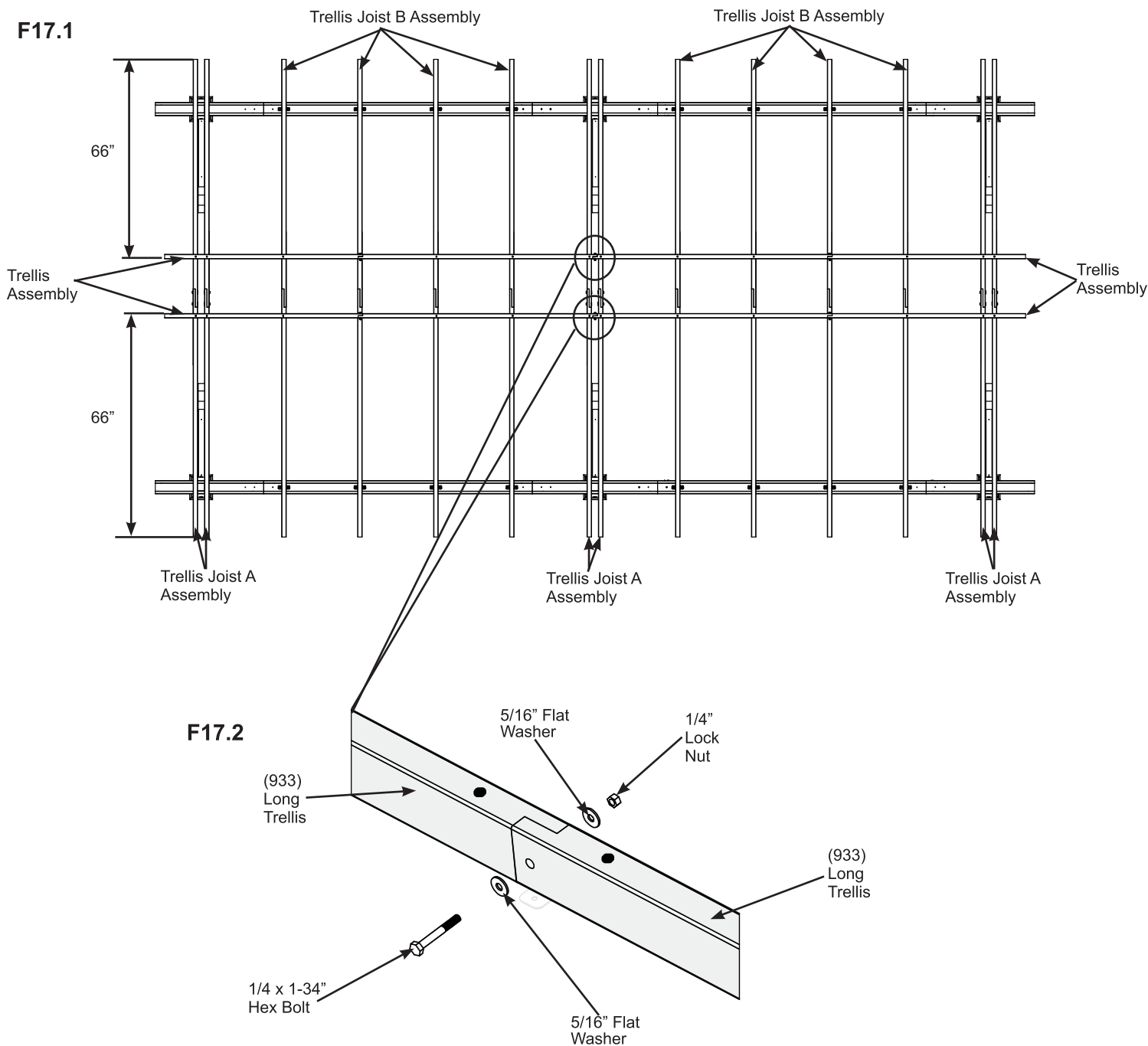
20 x 1/4 x 1-3/4" Hex Bolt
(5/16" flat washer x 2, 1/4" lock nut)

Step 17: Attach Trellis Assemblies Part 1



A: Measure 66" from the end of one outside Trellis Joist A Assembly then place one Trellis Assembly on top of each Trellis Joist Assembly so the pilot holes are centred over each Trellis Joist A Assembly. Place a second Trellis Assembly at the end of the first so they meet in the centre, both ends have pilot holes. Attach Trellis Assemblies together with one 1/4 x 1-3/4" Hex Bolt (with 5/16" flat washer x 2 and 1/4" lock nut). (F17.1 and F17.2)

B: Repeat Step A for the other side of the Trellis Joist A Assembly. (F17.1 and F17.2)



Hardware

2 x 1/4 x 1-3/4" Hex Bolt
(5/16" flat washer x 2, 1/4" lock nut)

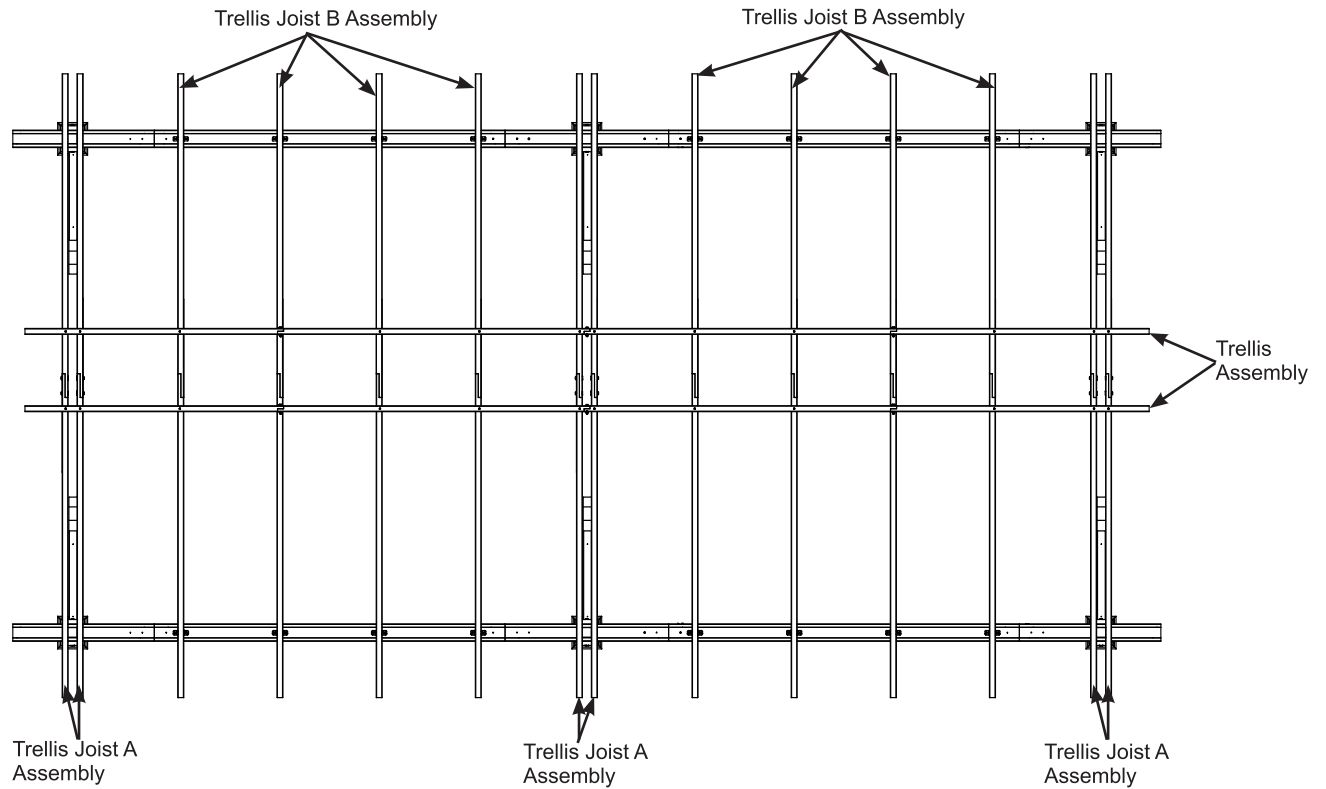
Step 17: Attach Trellis Assemblies

Part 2

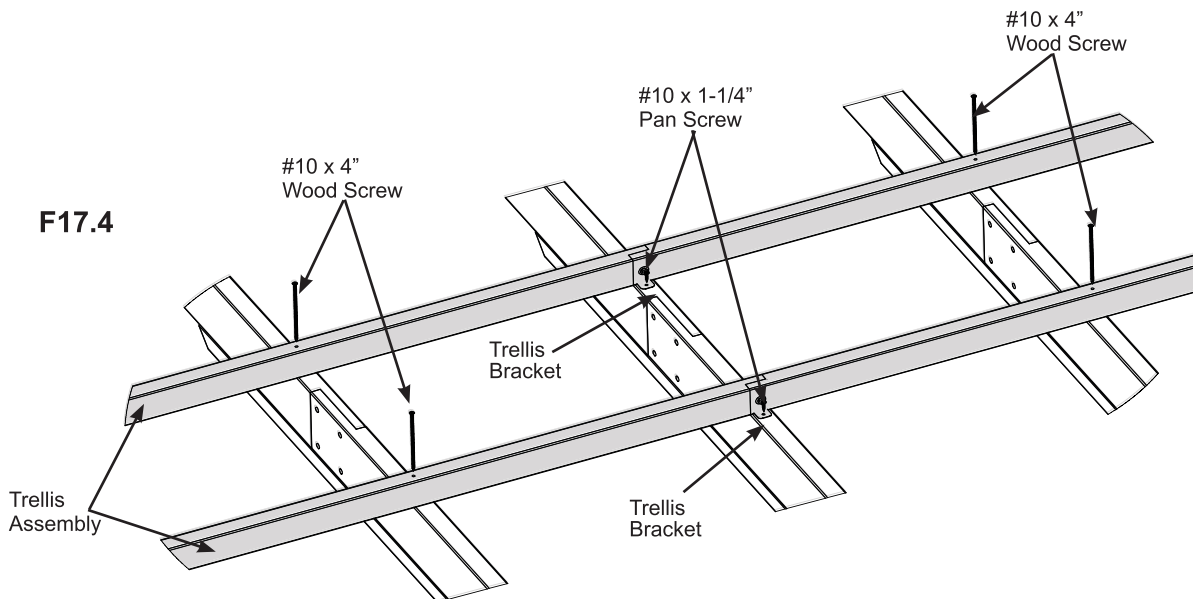


C: Attach Trellis Assemblies to Trellis Joist Assemblies through the Trellis Bracket with two #10 x 1-1/4" Pan Screw and to the remaining Trellis Joist Assemblies with 12 #10 x 4" Wood Screws. (F17.3 and F17.4)

F17.3



F17.4

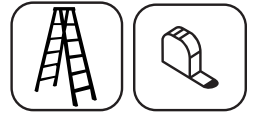


Hardware

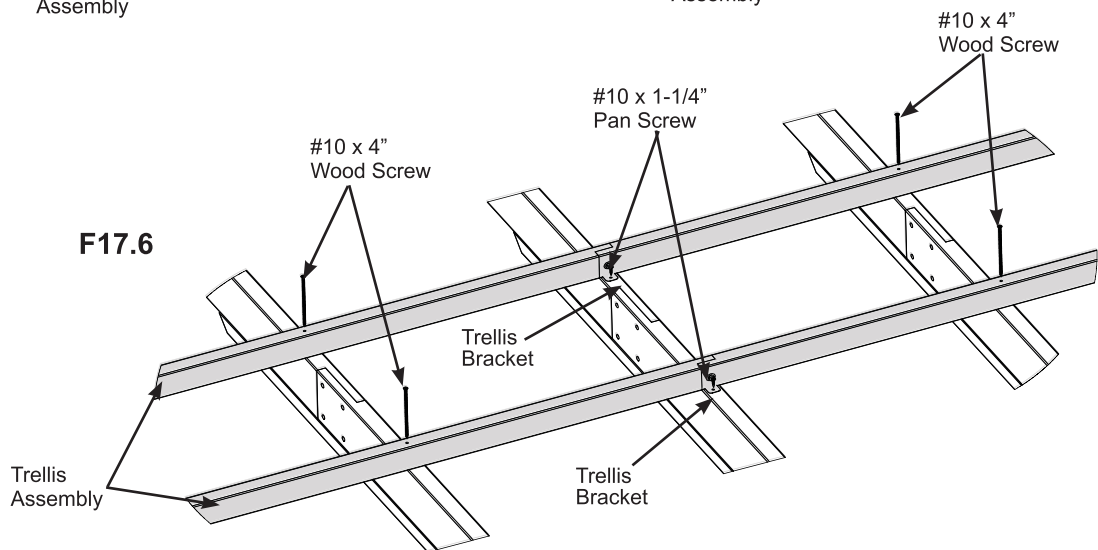
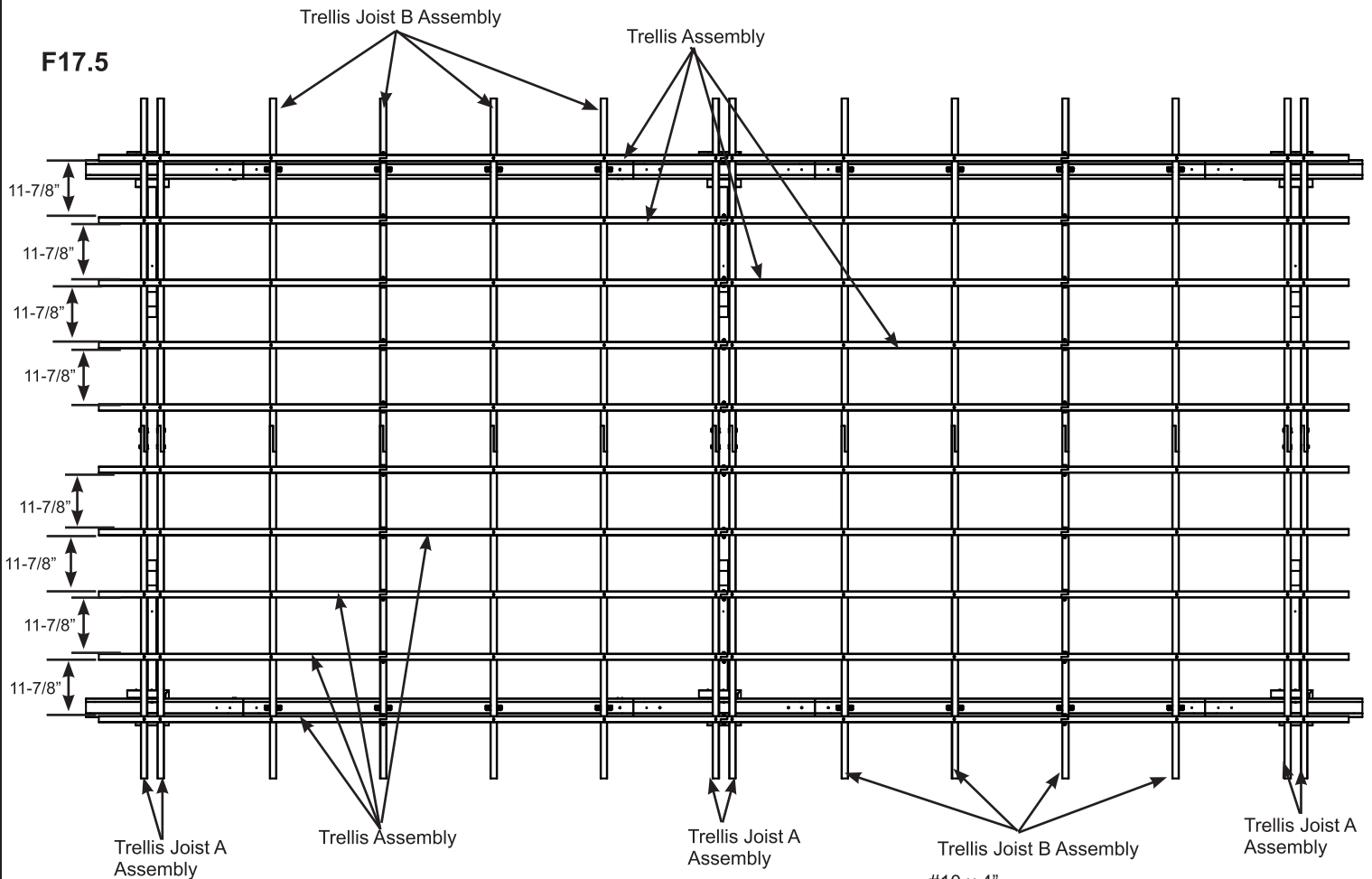
4 x #10 x 1-1/4" Pan Screw

24 x #10 x 4" Wood Screw

Step 17: Attach Trellis Assemblies Part 3



D: Moving outwards from the first two Trellis Assemblies place remaining 16 assemblies along Trellis Joist Assemblies as done in Steps A and C. Distance between each Trellis Assembly should be 11-7/8". (F17.5 and F17.6)



Hardware

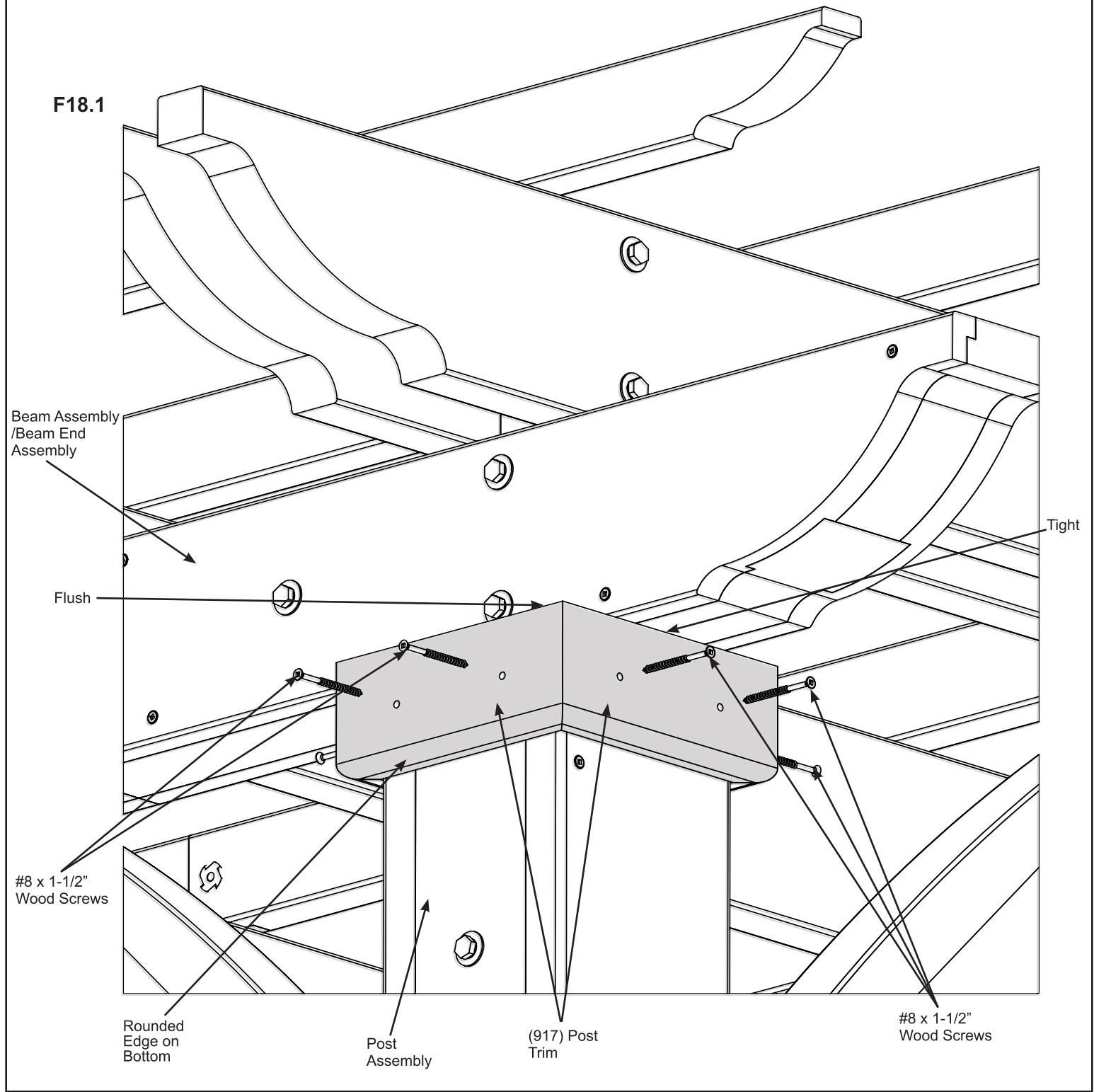
16 x #10 x 1-1/4" Pan Screw

96 x #10 x 4" Wood Screw

8 x 1/4 x 1-3/4" Hex Bolt
(5/16" flat washer x 2, 1/4" lock nut)

Step 18: Attach Post Trims

A: Flush to the top of each Post Assembly and tight to the bottom of the Beam and Beam End Assemblies attach four (917) Post Trims to each Post Assembly with two #8 x 1-1/2" Wood Screws per (917) Post Trim. Make sure the rounded edges face down and bolt heads are covered with the countersunk hole in (917) Post Trim. (F18.1).



Wood Parts

24 x (917) Post Trim

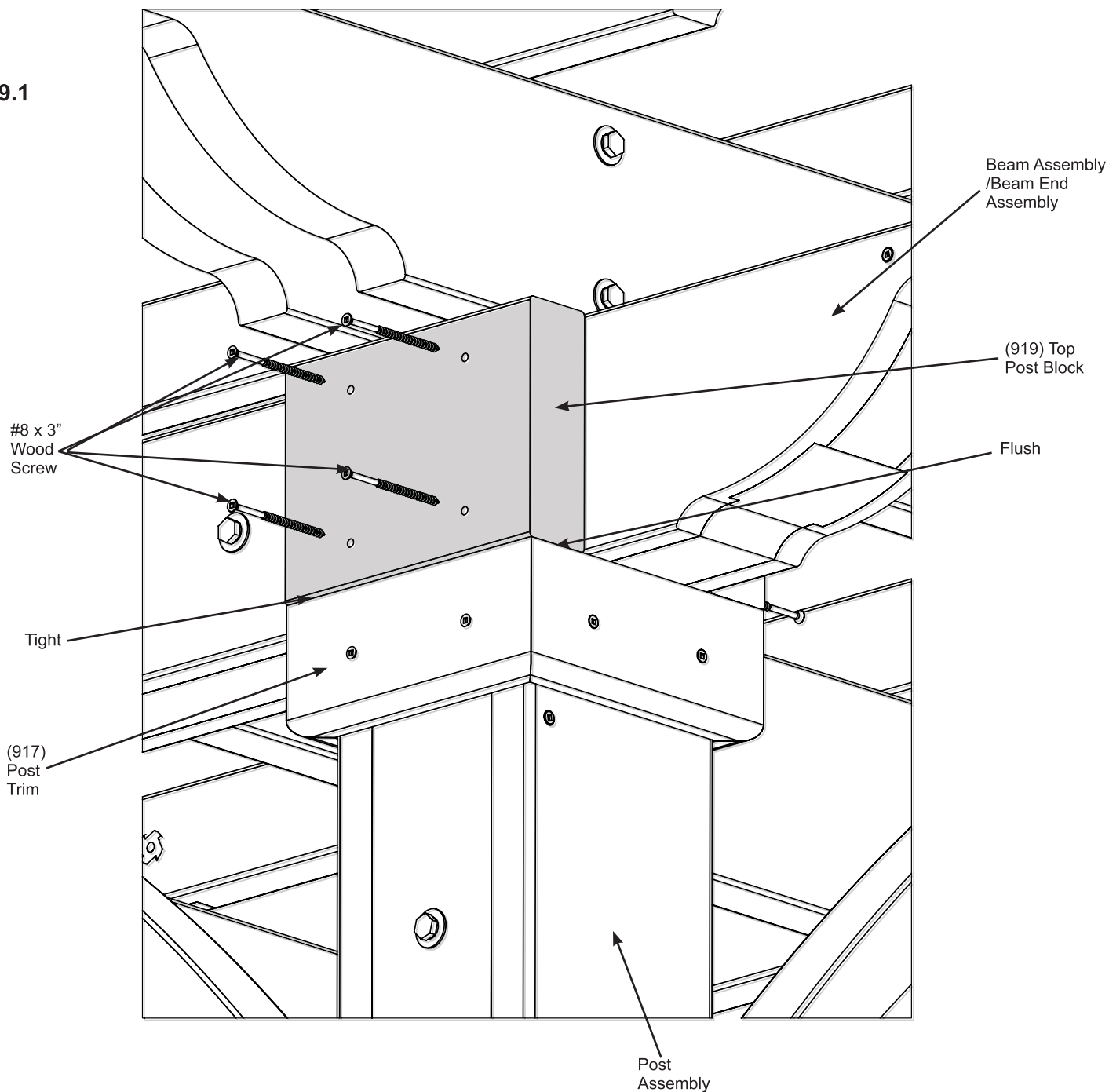
Hardware

48 x #8 x 1-1/2" Wood Screw

Step 19: Attach Top Post Blocks

A: Tight to the top and flush to the sides of outside and inside (917) Post Trims attach two (919) Top Post Blocks to each Beam and Beam End Assemblies with four #8 x 3" Wood Screws per (919) Top Post Block. Make sure bolt heads are covered with the countersunk holes in (919) Top Post Block. Bolts in Trellis Joist A Assemblies may need to be loosened to get (919) Top Post Blocks to fit. Be sure to re-tighten bolts when done. (F19.1)

F19.1



Wood Parts

12 x (919) Top Post Block

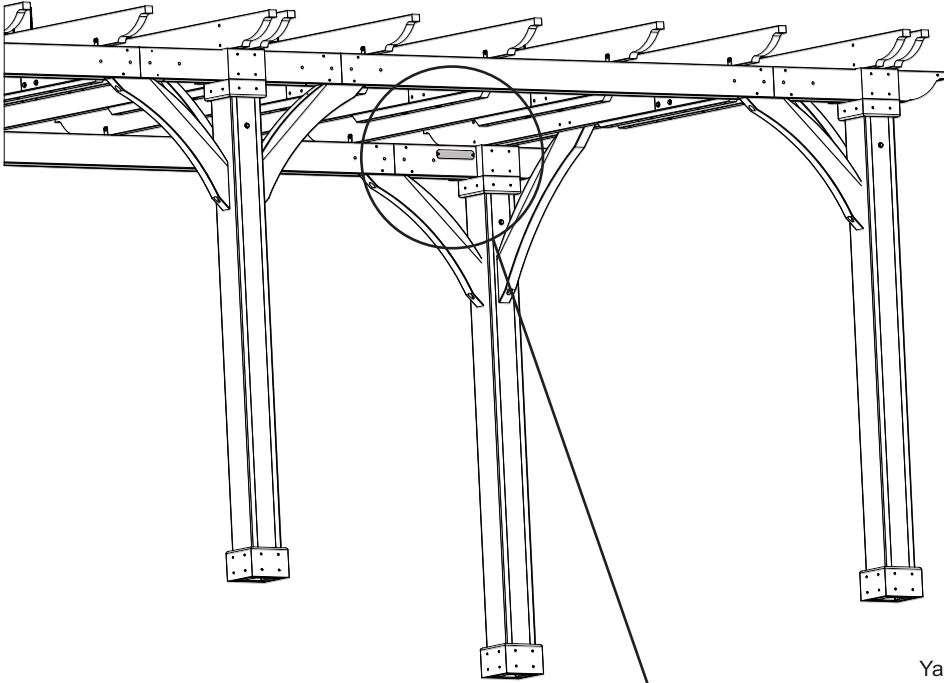
Hardware

48 x #8 x 3" Wood Screw

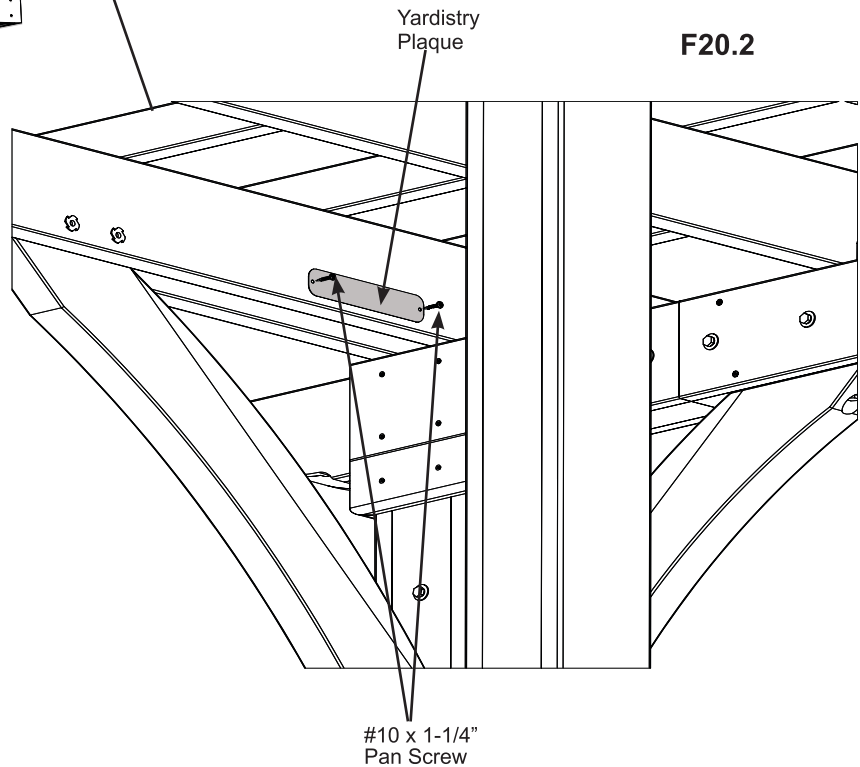
Step 20: Attach Plaque

A: Attach Yardistry Plaque to a prominent location on your Pergola with two #10 x 1-1/4" Pan Screws. This provides warnings concerning safety and important contact information. A tracking number is provided to allow you to get critical information or order replacement parts for this specific model. (F20.1 and F20.2)

F20.1



F20.2



Components:

1 x Yardistry Plaque

Hardware

2 x #10 x 1-1/4" Pan Screw

NOTES



Customer Registration Card - Tarjeta de Registro del Cliente - Carte d'inscription du client

First Name - Primer Nombre - Prénom	Initial - Inicial - Initiale	Last Name - Apellido - Nom de famille

Street - Calle - Rue	PO Box - Casilla postal - Boîte postale	Apt. No. - App.

City - Ciudad - Ville	State/Province - Estado/Provincia - État/Province

ZIP/Postal Code - Código Postal - ZIP/Code postal	Country - País - Pays

E-mail Address - Dirección de E-mail - Adresse courriel	Telephone Number - No. de Teléfono - N° de téléphone

Model Name - Nombre del Modelo - Nom du modèle	Model Number (from front cover) - Número de Modelo (de la portada) - N° du modèle (page de couverture)

Date of Purchase - Fecha de Compra - Date d'achat (mm/dd/yyyy) (mm/dd/aaaa) (mm/jj/aaaa)	Place of Purchase - Comprado a - Lieu d'achat

Comments - Comentarios - Commentaires:

Mail To - Enviar por Correo a - Envoyer par courrier à:

Yardistry
375 Sligo Road West, PO Box 10
Mount Forest, Ontario, Canada, N0G 2L0
Attention: Consumer Relations
Atención a: Servicio de Atención al Cliente
À l'attention de: Service à la clientèle

Online Registration - Registro online - Enregistrement en ligne:

<http://yardistrystructures.com/warranty.php>

Yardistry would like to say "Thank you" for your time and feedback.
Yardistry quiere "Agradecerle" por su tiempo y su opinión.
Yardistry aimerait vous remercier d'avoir pris le temps de répondre au sondage.