

12 X 14 RETRACTABLE SUNSHADE

Installation and Operating Instructions – YP11609/ YP11691



Revised June 3, 2014


YARDISTRY

Yardistry – North America
Toll Free Customer Support: 1.888.509.4382
info@yardistrystructures.com
www.yardistrystructures.com

Yardistry / Selwood Products – Europe
Customer Support: +44 1284 852569
parts@selwoodproducts.com
www.selwoodproducts.com

WARNING:

- Sunshade Canopy must be removed when not in use. To prevent potential collapse of support structure, DO NOT allow water, snow or debris to collect on top of canopy. Remove prior to snow or heavy winds.
- To prevent potential collapse of support structure, DO NOT allow water, snow or debris to collect on top of canopy.
- Grills, fire pits and chimineys are a fire hazard if placed too close to a Yardistry Structure.

Limited Warranty

Yardistry warrants that this product is free from defect in materials and workmanship for a period of one year from the original date of purchase. In addition, all lumber is warranted for 5 years against rot and decay. This warranty applies to the original owner and registrant and is non-transferable.

Regular maintenance is required to assure the integrity of your product and is a requirement of the warranty. This warranty does not cover any inspection cost.

This Limited Warranty does not cover:

- Labor for replacement of any defective item(s);
- Incidental or consequential damages;
- Cosmetic defects which do not affect performance or integrity;
- Vandalism; improper use or installation; acts of nature;
- Acts of nature including but not limited to wind, storms, hail, floods, excessive water exposure;
- Minor twisting, warping, checking, or any other natural occurring properties of wood that do not affect performance or integrity.

Yardistry products have been designed for safety and quality. Any modifications made to the original product could damage the structural integrity of the product leading to failure and possible injury. Yardistry cannot assume any responsibility for modified products. Furthermore, modification voids any and all warranties.

This product is warranted for RESIDENTIAL USE ONLY. Yardistry disclaims all other representations and warranties of any kind, express or implied.

This Warranty gives you specific legal rights. You may have other rights as well which vary from state to state or province to province. This warranty excludes all consequential damages, however, some states do not allow the limitation or exclusion of consequential damages, and therefore this limitation may not apply to you.

www.yardistrystructures.com

Questions?

Call toll free or write us at:

1 (888) 509-4382

info@yardistrystructures.com

Patents Pending

Instructions for Proper Maintenance

Your Yardistry structure is designed and constructed of quality materials. As with all outdoor products it will weather and wear. To maximize the enjoyment, safety and life of your structure it is important that you, the owner, properly maintain it.

HARDWARE:

- Check metal parts for rust. If found, sand and repaint using a non-lead paint complying with 16 CFR 1303.
- Inspect and tighten all hardware after completion of assembly; after first month of use; and then annually. Do not over-tighten as to cause crushing and splintering of wood.
- Check for sharp edges or protruding screw threads, add washers if required.

SUNSHADE:

- Remove when not in use or prior to snow or heavy winds.
- DO NOT allow water, snow or debris to collect on top of canopy.
- Hose off canopy on a monthly basis with clear water.

Assembly Guides

Tools Required:

- Tape Measure
- #3 Robertson Bit or Screwdriver
- Adjustable Wrench
- Standard or Cordless Drill
- Step Ladder
- Safety Glasses
- Adult Helper
- 1/8" Drill Bit

Symbols:

Throughout these instructions symbols are provided in the top, right-hand corner of the page.



- Use Help, where this is shown, 2 or 3 people are required to safely complete this step. To avoid injury or damage to the assembly make sure to get some help.



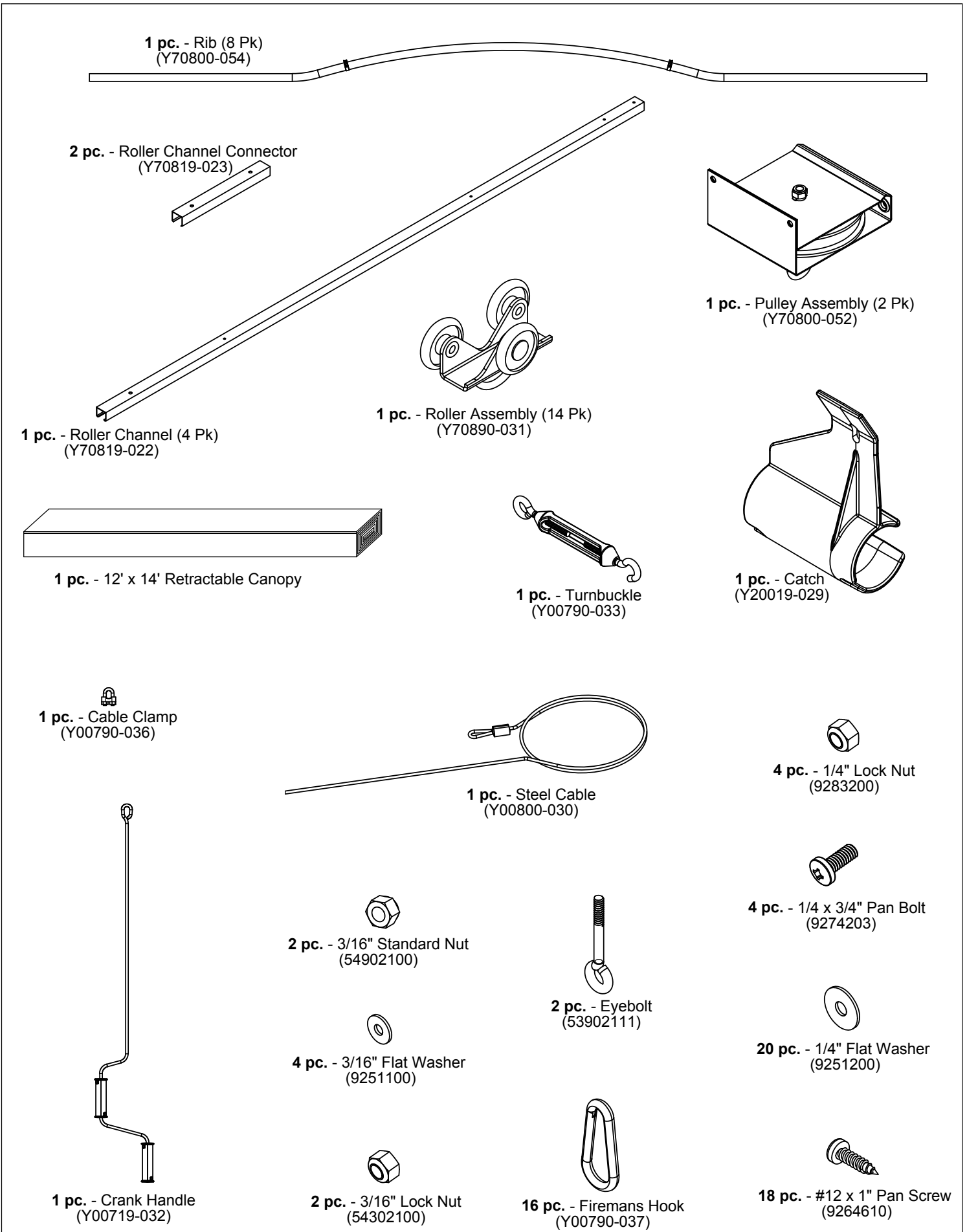
- Use a measuring tape to assure proper location



- Pre-drill a pilot hole before fastening screw or lag to prevent splitting of wood.

If you dispose of your Yardistry structure: Please disassemble and dispose of your unit so that it does not create any unreasonable hazards at the time it is discarded. Be sure to follow your local waste ordinances.

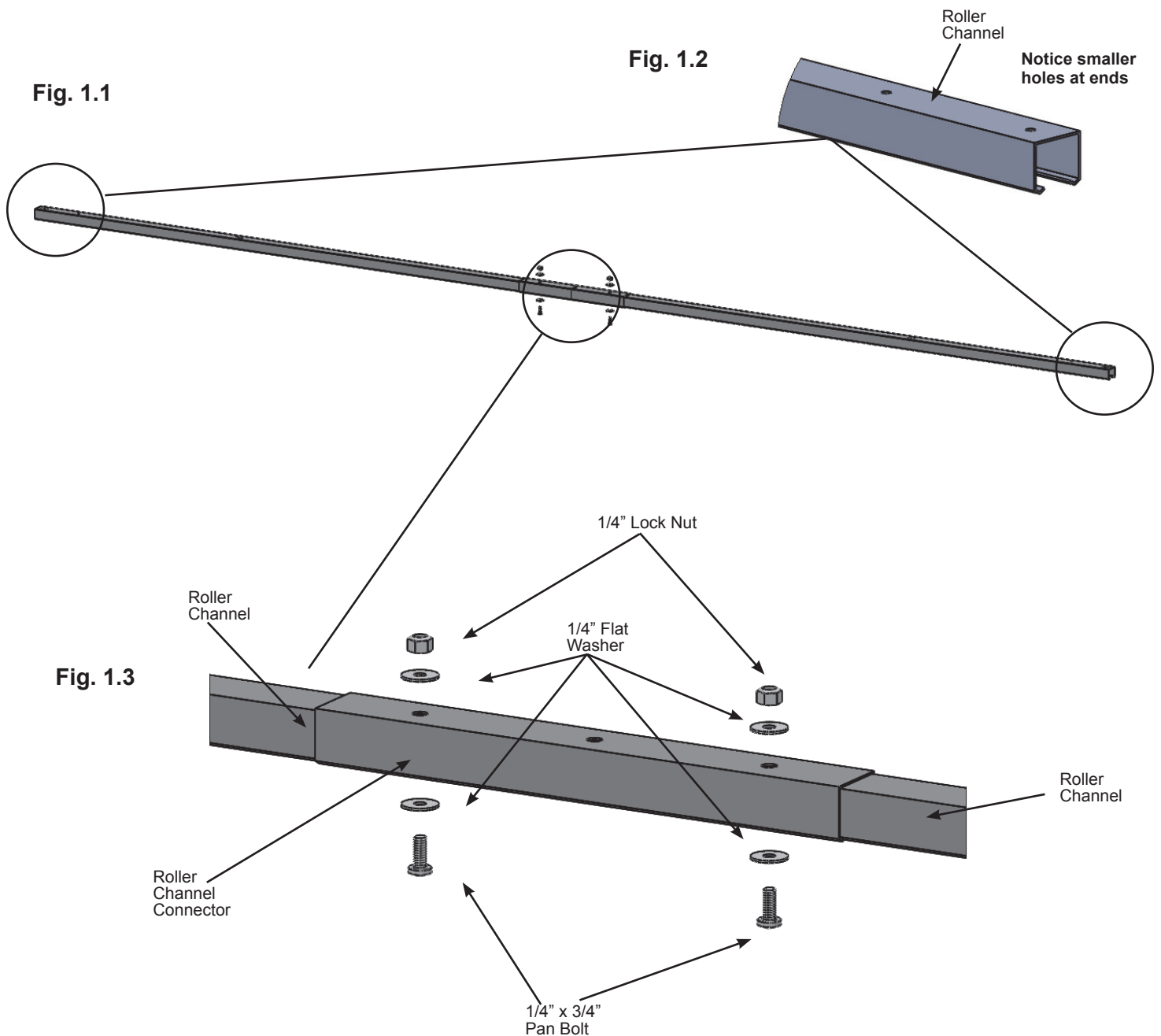
Hardware Identification (Dimensions are approximate and are shown to assist in the identification of parts for assembly. Actual dimensions may be smaller or larger.)



Step 1: Roller Channel Assembly

A: Insert one Roller Channel on each side of one Roller Channel Connector and attach with two 1/4 x 3/4" Pan Bolts (with two flat washers and one lock nut). Make sure bolts are fully tightened and they are inserted as shown below. Notice smaller holes at ends of Roller Channel. (fig. 1.1, 1.2 and 1.3)

B: Repeat for a second Roller Channel Assembly. (fig. 1.1, 1.2 and 1.3)



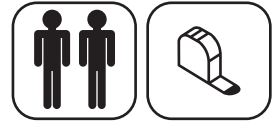
Hardware

4 x 1/4 x 3/4" Pan Bolt
(1/4" flat washer x 2, 1/4" lock nut)

Other Parts

2 x Roller Channel Connector
4 x Roller Channel

Step 2: Attach Roller Channel Assemblies to Pergola



A: From the inside of each Beam End measure 38-1/8" along both Arch Beam Fronts, Centres and Offsets. (fig. 2.2)

B: With a helper attach one Roller Channel Assembly to each Arch Beam Front at the marked out locations with two #12 x 1" Pan Screws (with 1/4" flat washer). (fig. 2.1, 2.2 and 2.3)

C: Attach Roller Channel Assembly to each Arch Beam Offset and Arch Beam Centre with four #12 x 1" Pan Screws (with 1/4" flat washer). (fig. 2.2, 2.3 and 2.4)

D: Repeat Steps A-C for the second Roller Channel Assembly.

Note: Do not overtighten screws. Overtightening will distort the channel causing difficulty in opening and closing of the canopy.

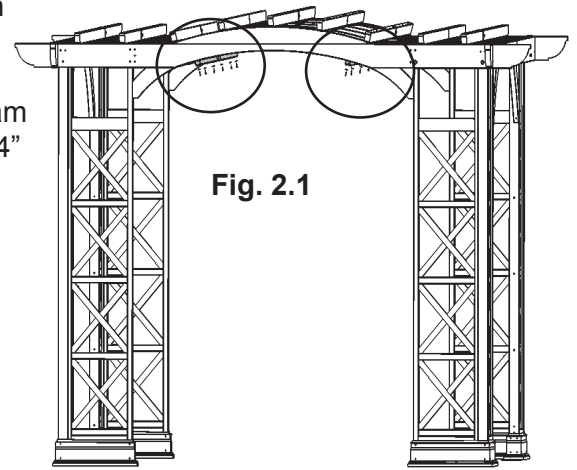


Fig. 2.1

Fig. 2.2

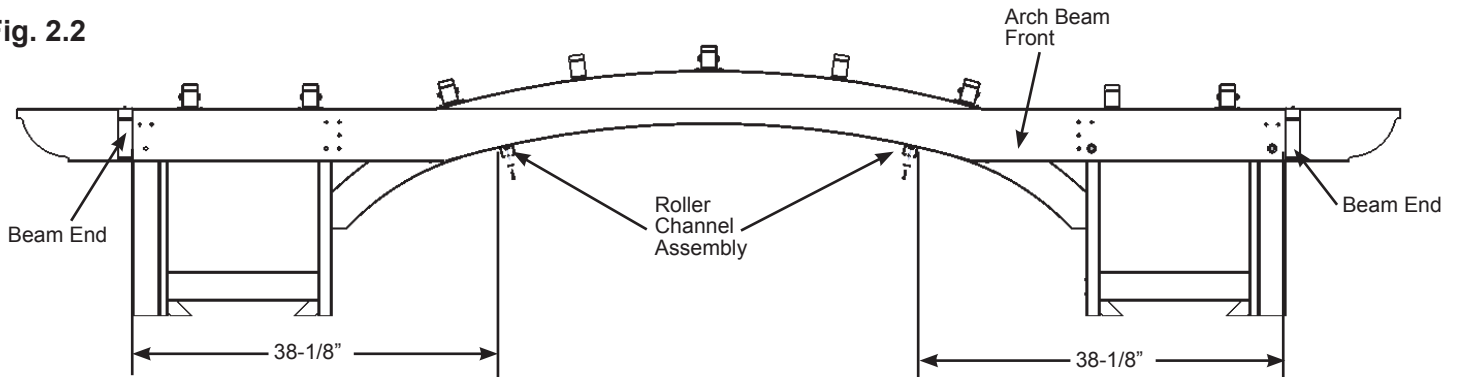


Fig. 2.3

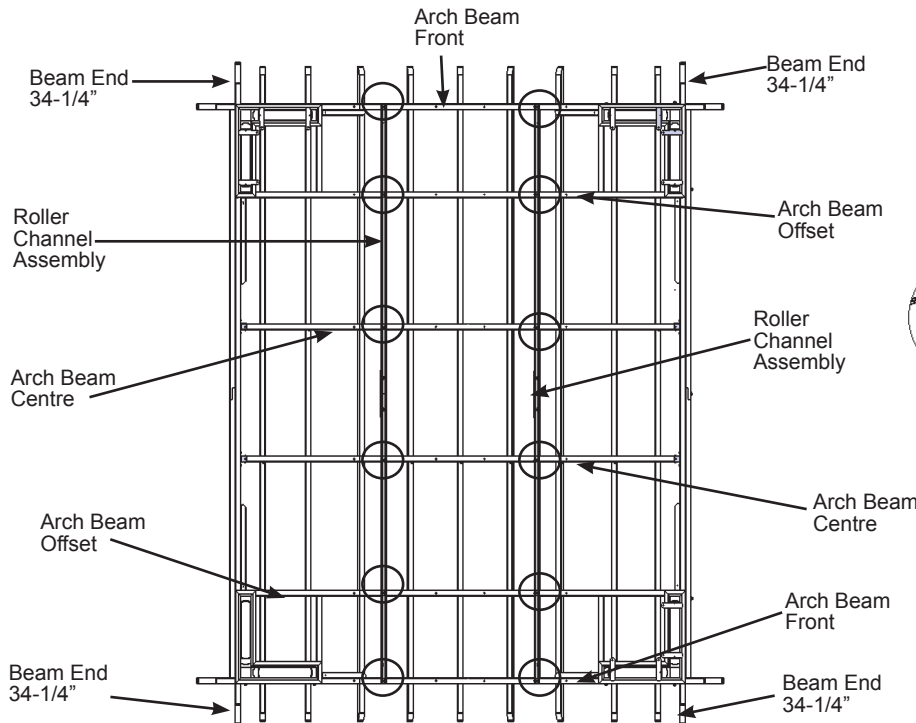
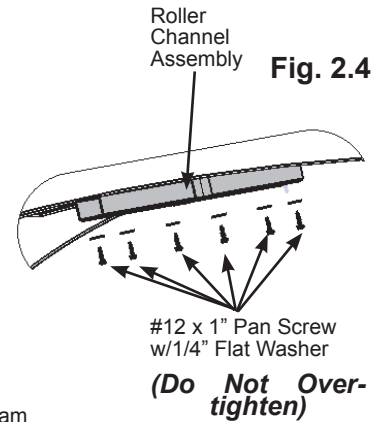


Fig. 2.4



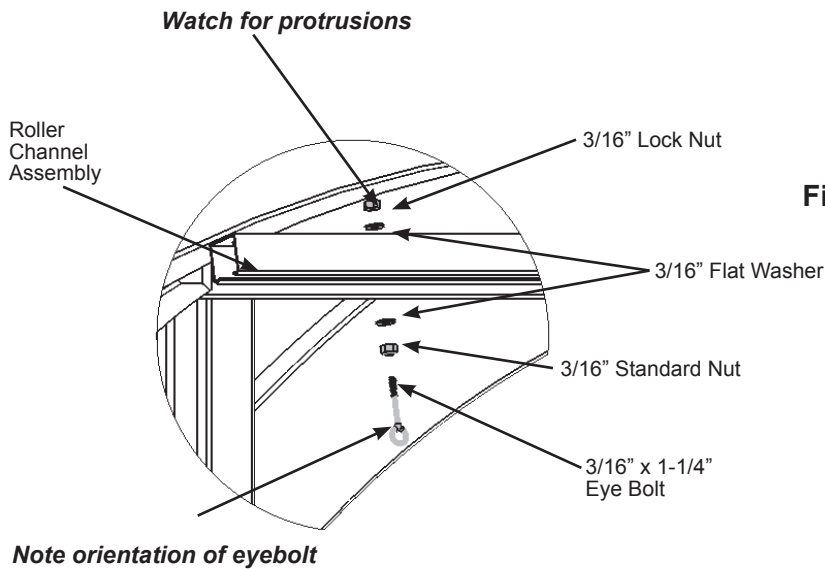
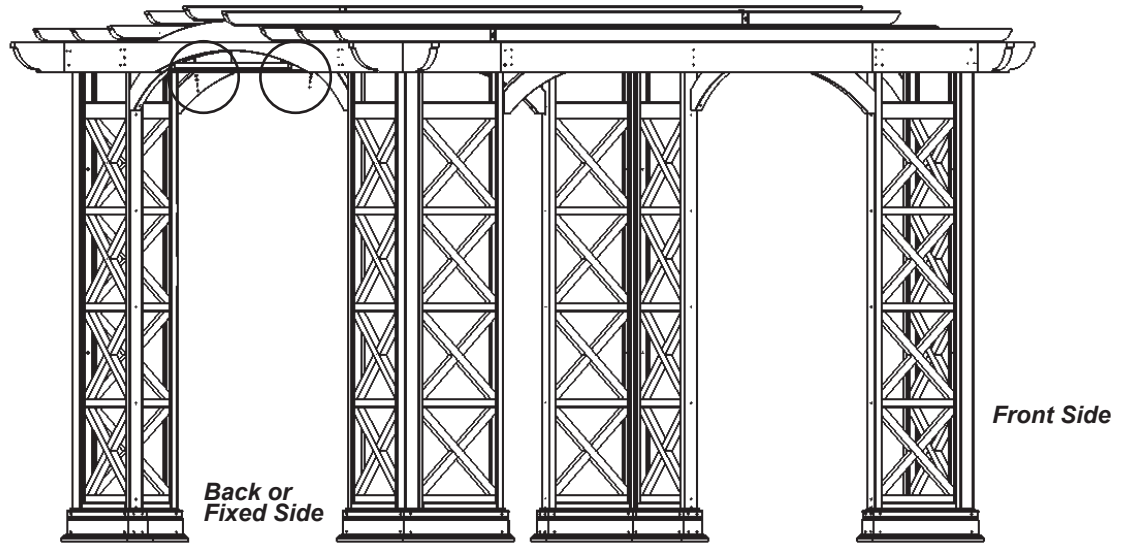
Hardware

12 x #12 x 1" Pan Screw
(1/4" flat washer)

Step 3: Attach Eye Bolts

A: At one end of each Roller Channel Assembly attach one 3/16" x 1-1/4" Eye Bolt (with 3/16" standard nut, 2 3/16" flat washers and 3/16" lock nut) as shown in fig. 3.1 and 3.2. Make sure the eyebolt does not protrude through the lock nut and the eyebolt faces the direction shown in fig. 3.2. This will be the Back or Fixed Side of the assembly.

Fig. 3.1

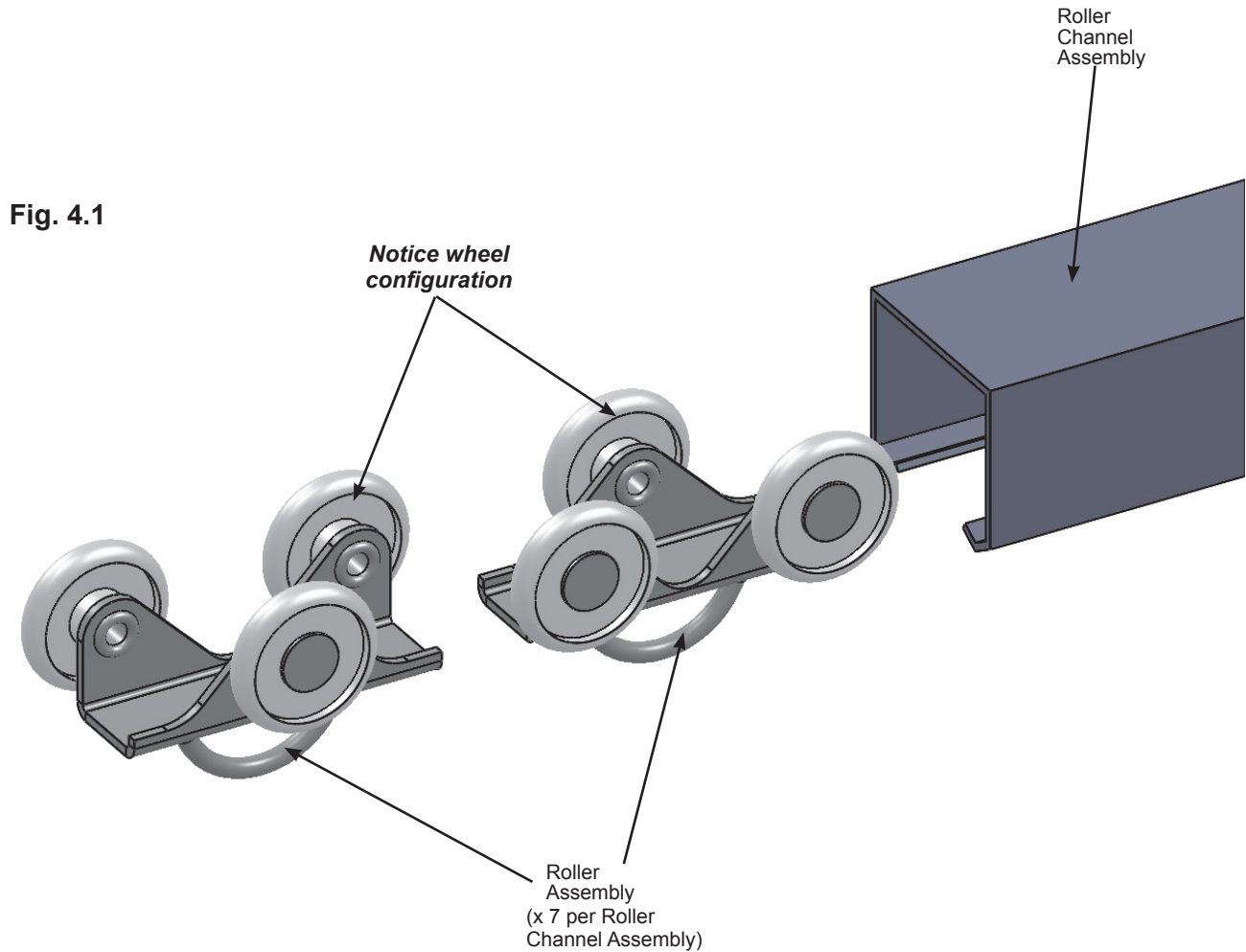


Hardware

2 x 3/16 x 1-1/4" Eye Bolt
(3/16" standard nut, 3/16" flat washer x 2, 3/16" lock nut)

Step 4: Attach Roller Assemblies

A: Insert 7 Roller Assemblies into each Roller Channel Assembly, alternating rollers as shown below, 2 roller wheels then 1 roller wheel. (fig. 4.1)



Hardware

14 x Roller Assembly

Step 5: Attach Fireman Hooks



A: Clip one Fireman Hook on each 3/16 x 1-1/4" Eyebolt and each Roller Assembly. There will be 8 Fireman Hooks per Roller Channel Assembly. (fig. 5.1, 5.2 and 5.3)

Fig. 5.1

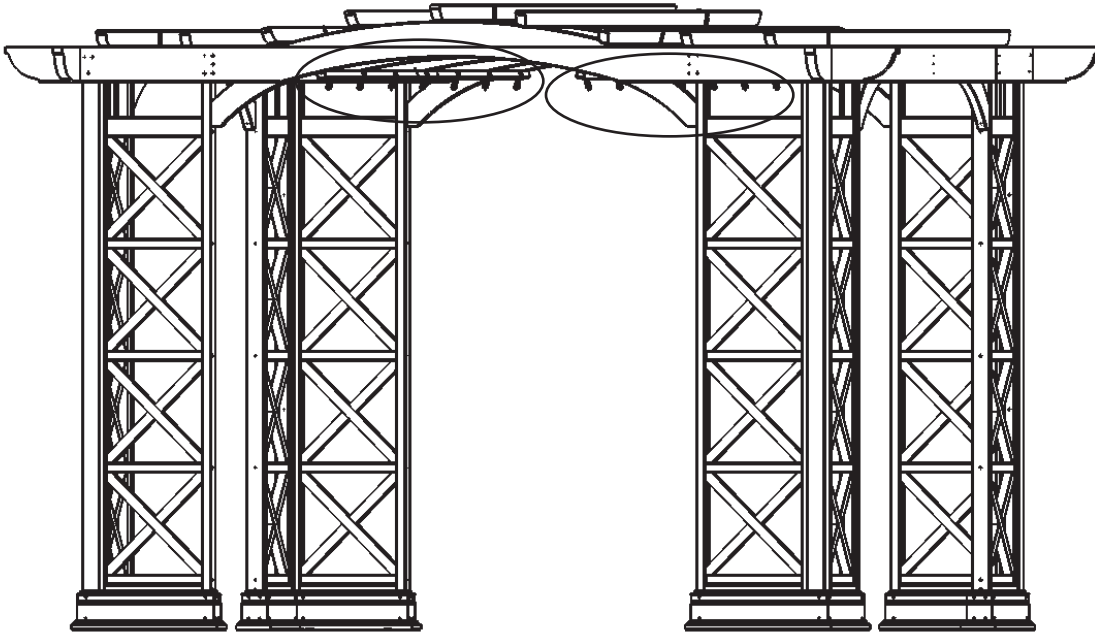


Fig. 5.2

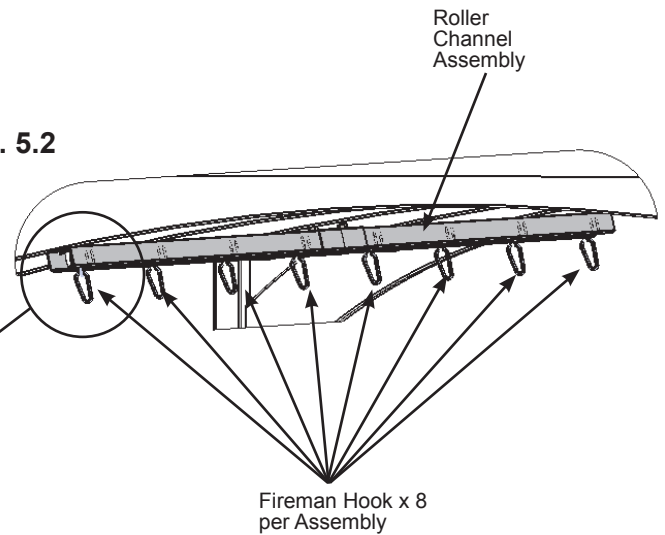
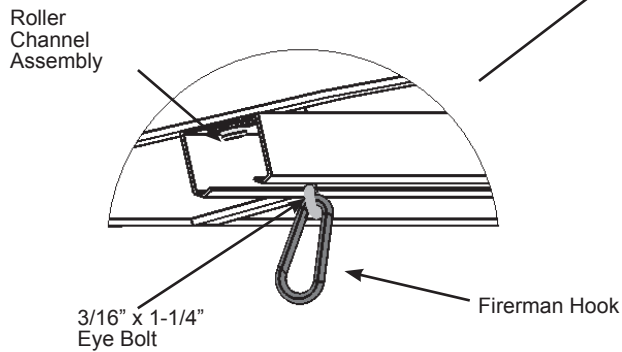


Fig. 5.3



Hardware

16 x Fireman Hook

Step 6: Attach Pulley Assembly Part 1

A: Center one Pulley Assembly on the outside face of each Arch Beam Front and attach with two #12 x 1" Pan Screws as shown in fig. 6.1 and 6.2.

Fig. 6.1

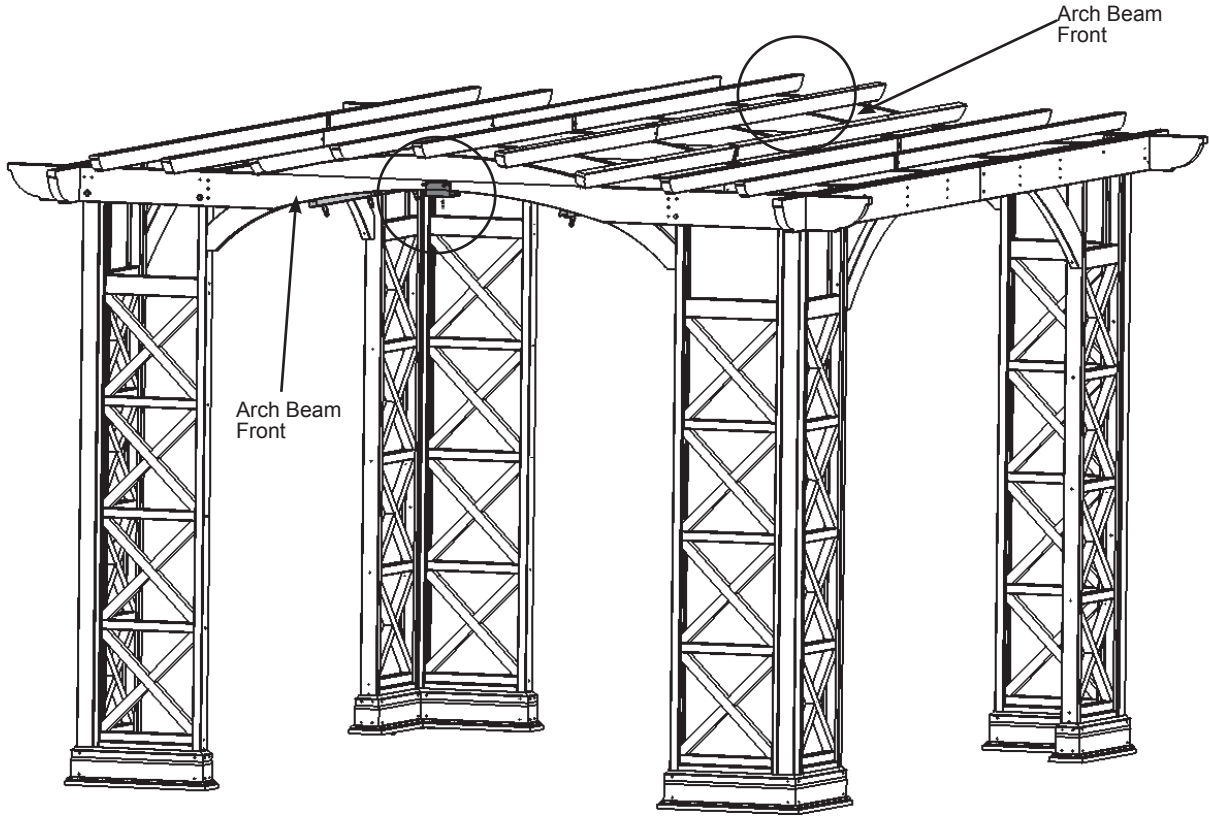
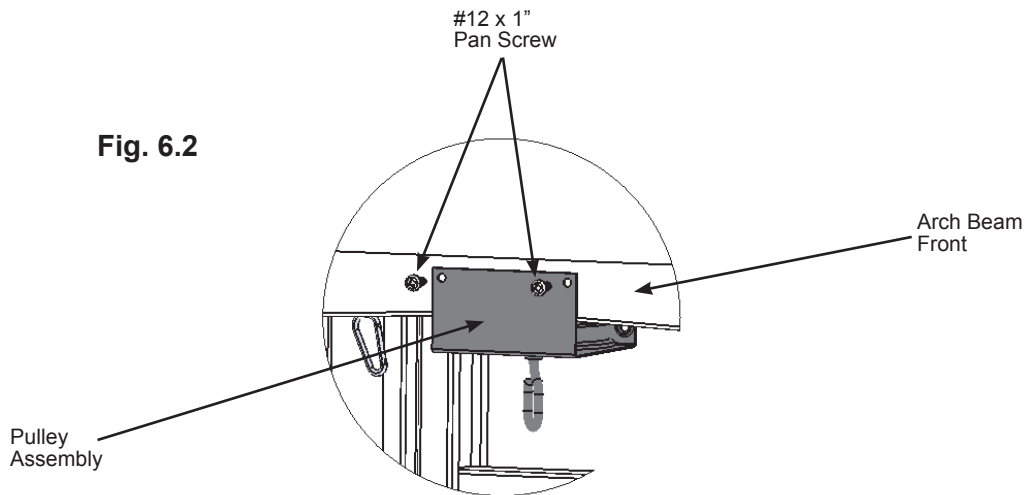


Fig. 6.2



Hardware

- 4 x #12 x 1" Pan Screw
- 2 x Pulley Assembly

Step 6: Attach Pulley Assembly Part 2

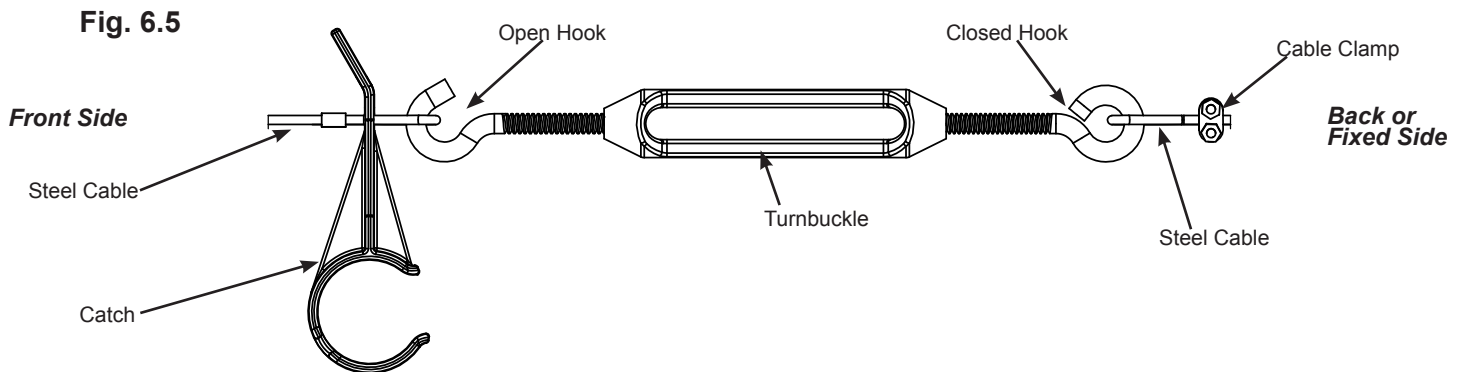
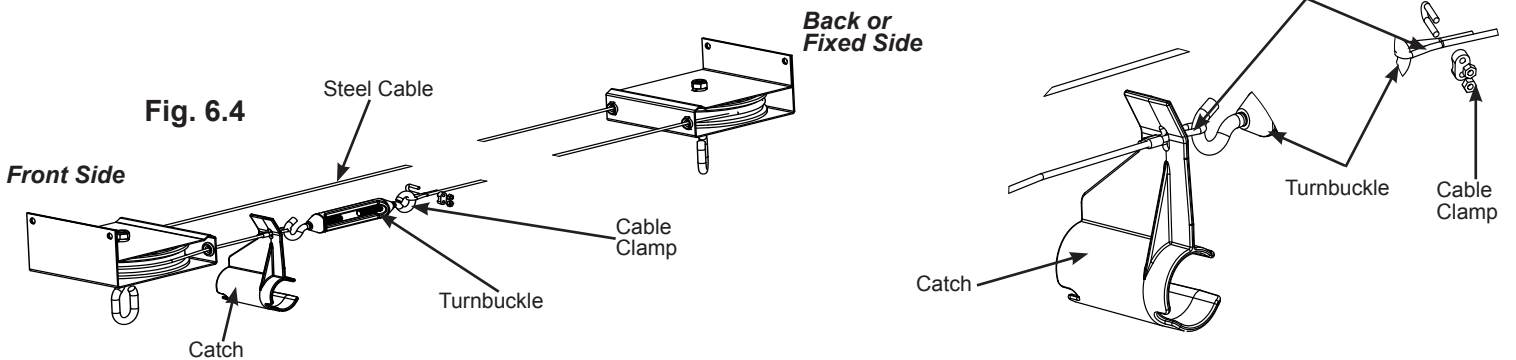
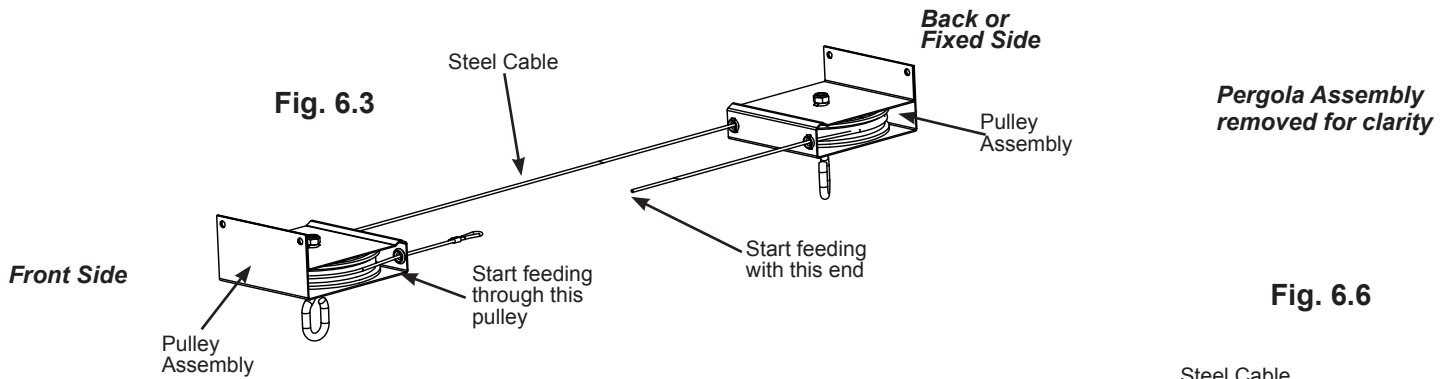


B: Start feeding the end of the Steel Cable without the loop into the Pulley Assembly on the Front Side, around the disc and out the other side and into the Pulley Assembly on the Back or Fixed Side and then out the other side of the pulley as shown in fig. 6.3.

C: Unscrew the Turnbuckle then place the Catch (opening facing inwards) over the end of the Steel Cable with the loop then attach the loop to the open hook on the Turnbuckle. (fig. 6.4, 6.5 and 6.6)

D: Feed the other end of the Steel Cable through the Cable Clamp then loop through the closed hook on the Turnbuckle so the Steel Cable has a little bit of give. (fig. 6.4, 6.5 and 6.6)

E: Feed the Steel Cable back through Cable Clamp and tighten to secure the loop just created as shown in fig 6.4, 6.5 and 6.6. Keep the Turnbuckle loose.



Hardware

- 1 x Steel Cable
- 1 x Cable Clamp
- 1 x Catch
- 1 x Turnbuckle

Step 7: Insert Ribs into Canopy

A: Place one Rib into each tunnel opening in the 12' x 14' Retractable Canopy and feed all the way through. If the opening is tight use a screw driver to help insert the Rib. (fig. 7.1 and 7.2)

Note: All arches to be facing up. (fig. 7.1, 7.2, 7.3)

Fig. 7.1

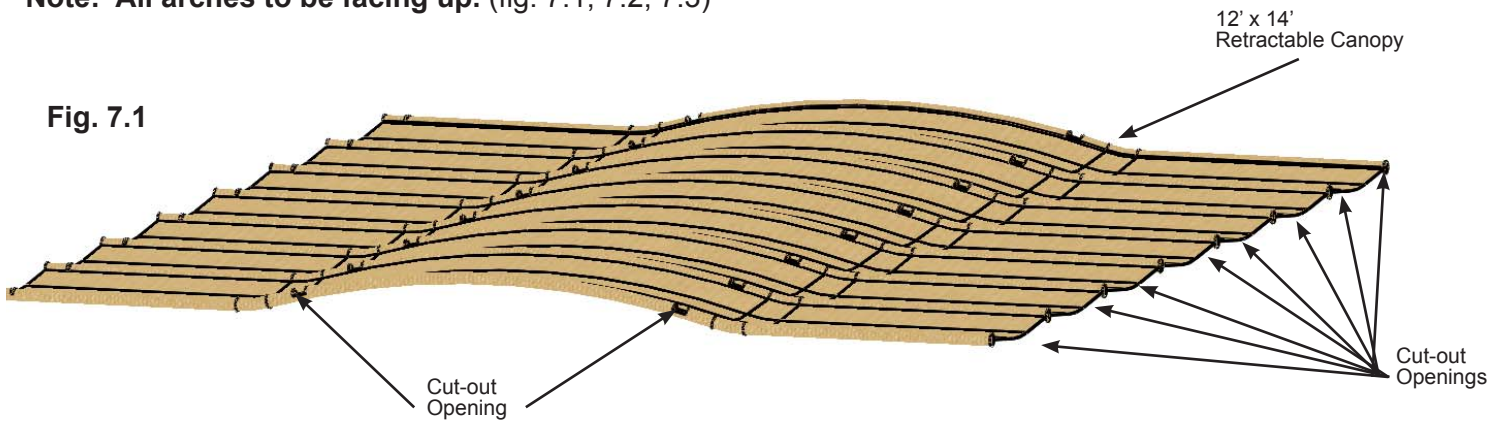


Fig. 7.2

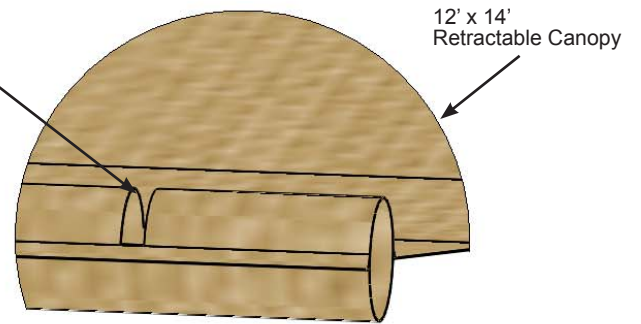
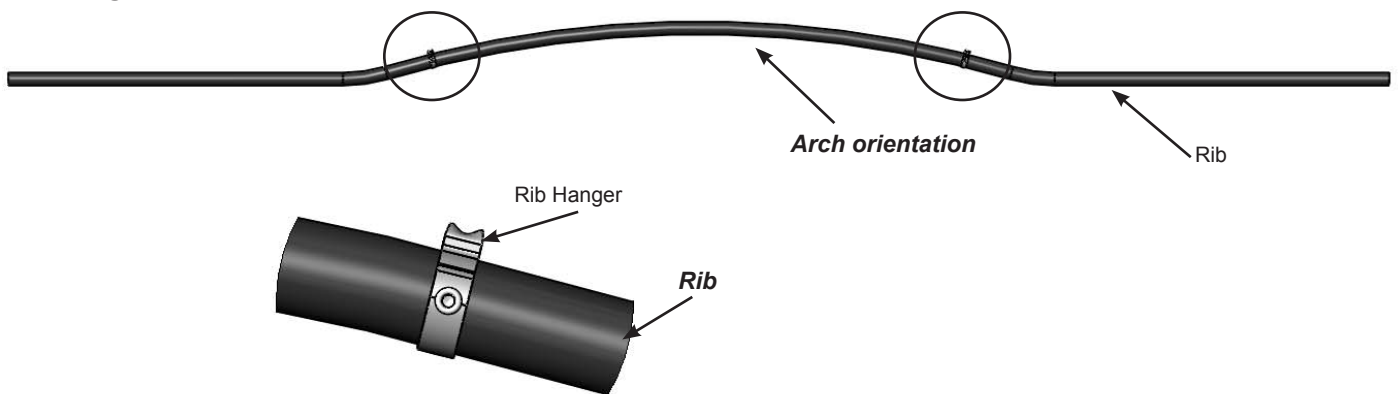


Fig. 7.3



Hardware

16 x 3/16 x 1-1/4" Eye Bolt
(3/16" washer contour, 3/16" lock nut)

Other Parts

1 x 12' x 14' Retractable Canopy
8 x Ribs

Step 8: Attach Canopy to Fireman Hooks



A: Attach Crank Handle to hook on one Pulley Assembly, it can be attached to either end. (fig. 8.1)

B: With a helper lift 12' x 14' Retractable Canopy to Pergola Room and ribs to each Fireman Hook on both Roller Channel Assemblies with Rib Hangers. (fig. 8.2)

Fig. 8.1

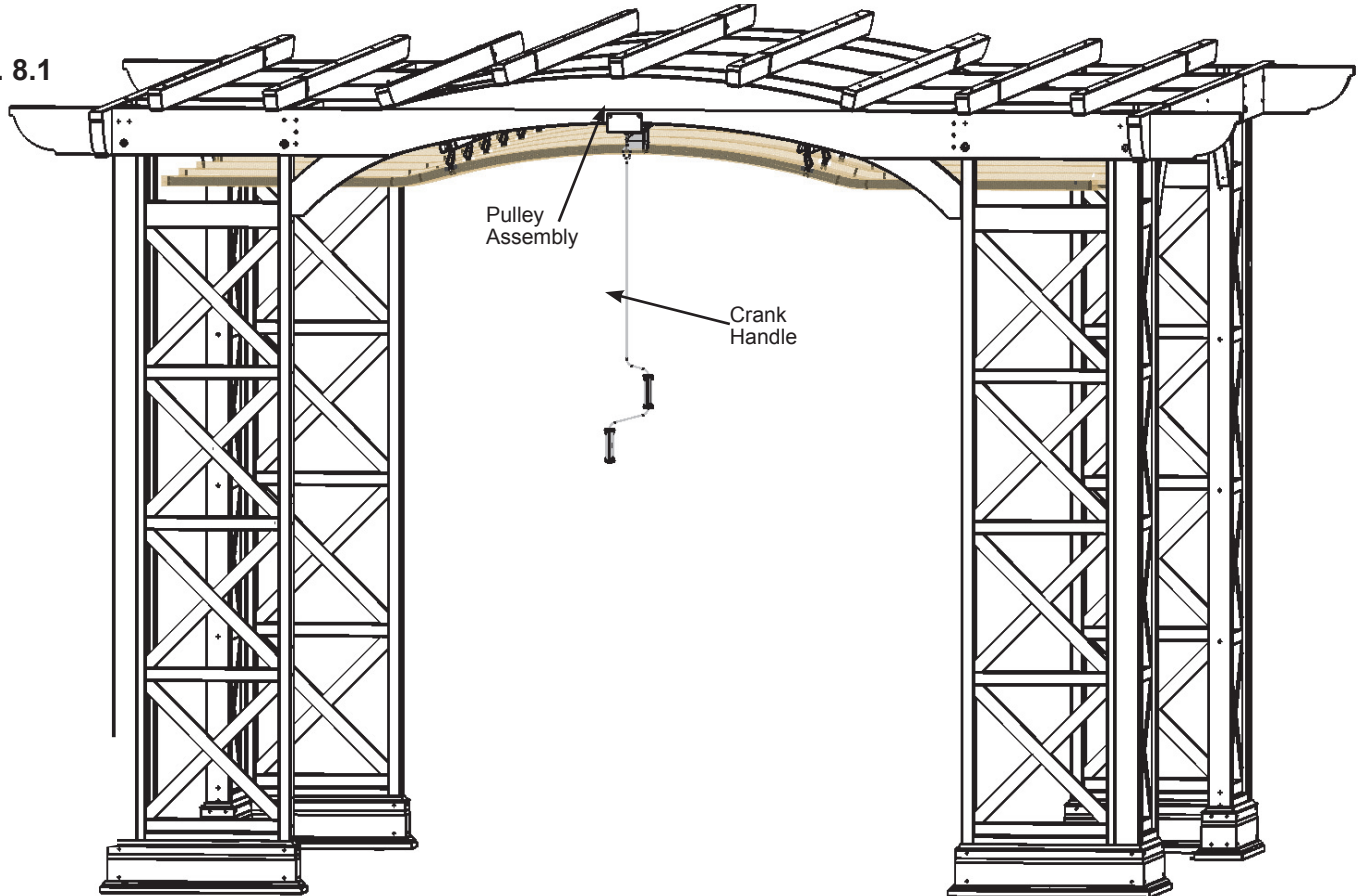
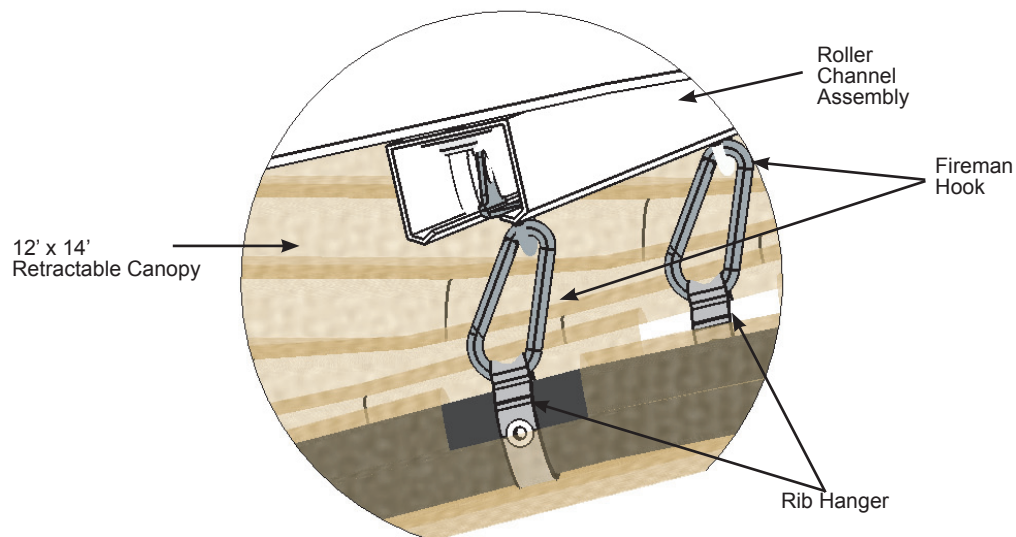


Fig. 8.2



Hardware

1 x Crank Handle

Step 9: Attach Canopy to Catch

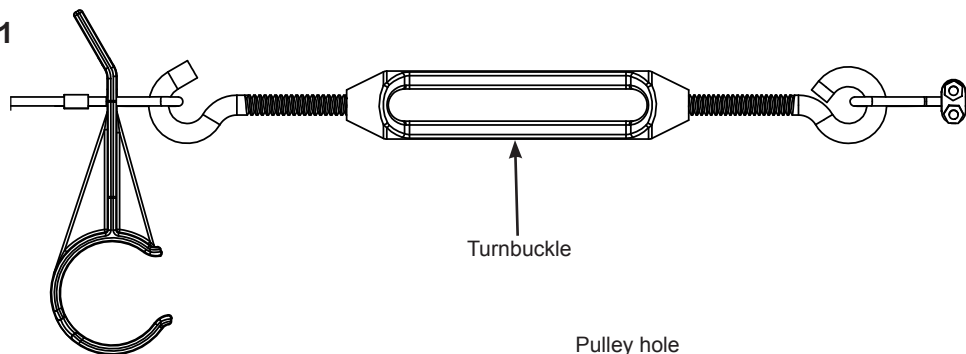


A: Tighten the Turnbuckle so it is snug. If it is too loose the cable will spin in the Pulley Assembly, if it is too tight the pulley will not turn. (fig. 9.1)

B: Fully open 12' x 14' Retractable Canopy, place Catch over first Rib and align Catch hole to Pulley hole so that cable is straight, then pre-drill with a 1/8" drill bit. Attach Catch to Canopy/Rib with two #12 x 1" Pan Screws. (fig. 9.2)

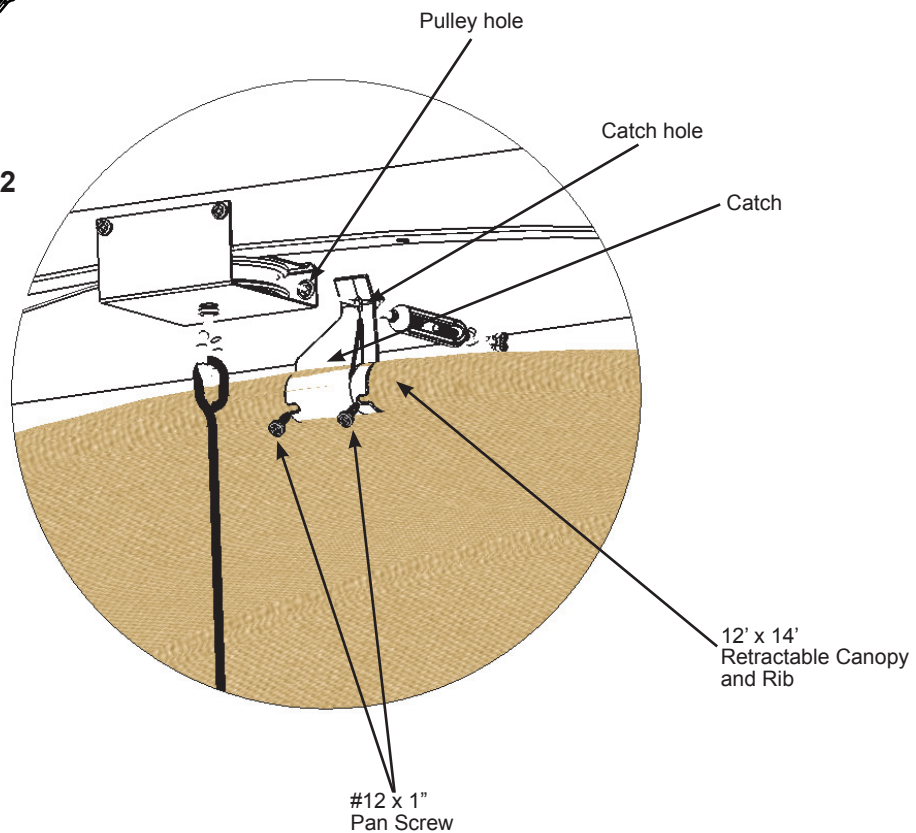
Note: Remove the Canopy prior to snow or heavy winds by removing the screws from the Catch and removing the Canopy from the Fireman's Hooks.

Fig. 9.1



Turnbuckle

Fig. 9.2



Hardware

2 x #12 x 1" Pan Screw

YARDISTRY
Consumer Registration Card

First Name	Initial	Last Name
Street	Apt. No.	
City	State/Province	ZIP/Postal Code
Country	Telephone Number	
E-Mail Address		
Model Name	Model Number	(Box Labels)
Date Purchase	Purchased From	

MM / DD / YY

How would you rate this product for quality?

Excellent Very Good Average Below Average Poor

How would you rate this product for ease of assembly?

Excellent Very Good Average Below Average Poor

How would you rate our instructions?

Excellent Very Good Average Below Average Poor

How would you rate the quality of packaging?

Excellent Very Good Average Below Average Poor

Would you recommend the purchase of our products to friends and family?

Yes No

Comments:

MAIL TO:
Yardistry c/o Solowave Design™
375 Sligo Road W.
Mount Forest, Ontario, Canada
N0G 2L0
Attention: Customer Service



Yardistry would like to say Thank You for your time and feed-

