

# 12' x 12' Pergola

Installation and Operating Instructions – YM12775

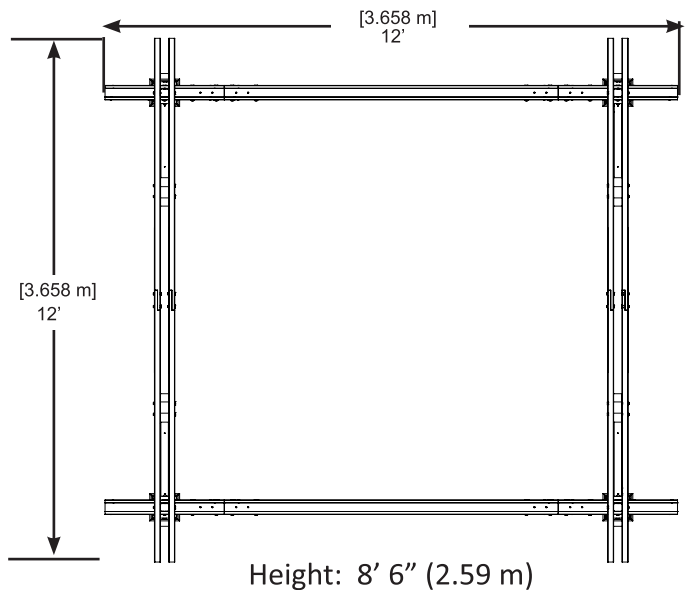


IMPORTANT, RETAIN FOR FUTURE REFERENCE: READ CAREFULLY

Revised 10-15-2019

**YARDISTRY**<sup>®</sup>

Yardistry – North America  
Toll Free Customer Support:  
1.888.509.4382  
info@yardistrystructures.com  
www.yardistrystructures.com



## **Important Safety Notice!**

Yardistry components are intended for privacy, decorative and ornamental use only.

### **Product is NOT INTENDED for the following:**

- A safety barrier to prevent unsupervised access to pools, hot tubs, spas or ponds.
- As load bearing support for a building, structure, heavy objects or swings.
- Used in structures that trap wind, rain or snow that would create extra load on the product.

### **Accumulated snow must be removed from roof.**

**DO NOT** climb or walk on roof for any reason.

**Permanent structures may require a building permit.** As the purchaser and or installer of this product you are advised to consult local planning, zoning and building inspection departments for guidance on applicable building codes and/or zoning requirements.

**Wood is NOT flame retardant and will burn.** Grills, fire pits and chimineas are a fire hazard if placed too close to a Yardistry structure. Consult user's manual of the grill, fire pit or chimenea for safe distances from combustible materials.

**Wear gloves to avoid injury** from possible sharp edges of individual elements before assembly.

**During installation, follow all safety warnings provided with your tools and use OSHA approved safety glasses.** Some structures may require two or more people to install safely.

**Check for underground utilities before digging or driving stakes into the ground!**

**It is important during assembly to closely follow the instructions,** complete the assembly on a solid level surface and that you follow the instruction to square up, level and anchor the structure, this will reduce the gap at wood connections during assembly.

## **General Information**

**General Information:** Wood components are manufactured with Cedar (C. Lanceolata) which is protected with factory applied water-based stain. Knots, small checks (cracks) and weathering are naturally occurring and do not affect the strength of the product. Annual application of a water-based water repellent sealant or stain is important and will help reduce weathering and checks.

[www.yardistrystructures.com](http://www.yardistrystructures.com)

Questions?

Call toll free or write us at:

1 (888) 509-4382

[info@yardistrystructures.com](mailto:info@yardistrystructures.com)

Patents Pending

# Limited Warranty

Yardistry warrants that this product is free from defect in materials and workmanship for a period of one (1) year from the original date of purchase. In addition, for any product with lumber, all lumber is warranted for five (5) years against rot and decay. This warranty applies to the original owner and registrant and is non-transferable.

Regular maintenance is required to assure the integrity of your product and is a requirement of the warranty. This warranty does not cover any inspection costs.

**This Limited Warranty does not cover:**

- Labour for replacement of any defective item(s);
- Incidental or consequential damages;
- Cosmetic defects which do not affect performance or integrity;
- Vandalism; improper use or installation; acts of nature, including but not limited to wind, storms, hail, floods, excessive water exposure;
- Minor twisting, warping, checking or any other natural occurring properties of wood that do not affect performance or integrity.

Yardistry products have been designed for safety and quality. Any modifications made to the original product could damage the structural integrity of the product leading to failure and possible injury. Yardistry cannot assume any responsibility for modified products. Furthermore, modification voids any and all warranties.

**This product is warranted for RESIDENTIAL USE ONLY. Yardistry disclaims all other representations and warranties of any kind, express or implied.**

*This Warranty gives you specific legal rights. You may have other rights as well which vary from state to state or province to province. This warranty excludes all consequential damages, however, some states/provinces do not allow the limitation or exclusion of consequential damages, and therefore this limitation may not apply to you.*

# Instructions for Proper Maintenance

Your Yardistry structure is designed and constructed of quality materials. As with all outdoor products it will weather and wear. To maximize the enjoyment, safety and life of your structure it is important that you, the owner, properly maintain it.

## HARDWARE:

- Check metal parts for rust. If found, sand and repaint using a non-lead paint complying with 16 CFR 1303.
- Inspect and tighten all hardware after completion of assembly; after first month of use; and then annually. Do not over-tighten as to cause crushing and splintering of wood.
- Check for sharp edges or protruding screw threads, add washers if required.

## WOOD PARTS:

- Applying a water repellent or stain (water-based) on a yearly basis is important maintenance to maintain maximum life and performance of the product.
- Check all wood members for deterioration, structural damage and splintering. Sand down splinters and replace deteriorated wood members. As with all wood, some checking and small cracks in grain is normal
- Some gapping may occur at some wood connections.

## Assembly Guides

### Tools Required:

- Tape Measure
- Carpenters Level
- Standard or Cordless Drill
- 7/16" & 1/2" Wrench
- 7/16" & 1/2" Socket
- Ratchet
- Safety Glasses
- Adult Helper
- Safety Gloves
- Hard Hat
- 6' Step Ladder x 2
- Square

### Symbols:

Throughout these instructions symbols are provided in the top, right-hand corner of the page.



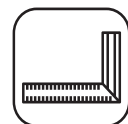
- Use Help, where this is shown, 2, 3 or 4 people are required to safely complete this step. To avoid injury or damage to the assembly make sure to get some help.



- Use a measuring tape to assure proper location



- Pre-drill a pilot hole before fastening screw or lag to prevent splitting of wood.



- Check that assembly is square before tightening bolts

**If you dispose of your Yardistry structure:** Please disassemble and dispose of your unit so that it does not create any unreasonable hazards at the time it is discarded. Be sure to follow your local waste ordinances.

## Assembly Tips

Following are some helpful tips to make the assembly process smooth and efficient.

### PRE-ASSEMBLIES:

(i.e. Post and Beam Assemblies, Roof Rafter Assembly, etc)

- Work on a raised, solid and flat surface such as, a table or saw horse.
- Keep all connections flush where shown in the instructions.
- When assembling the beams keep parts flat, straight and snug when connecting.

# Permanent Installation Examples

**Note: It is critically important you start with square, solid and level footings, concrete pad or deck to attach your Pavilion.**

We supply Post Mounts with this structure which gives you the flexibility to permanently install your structure to a pre-existing or new wood or concrete surface.

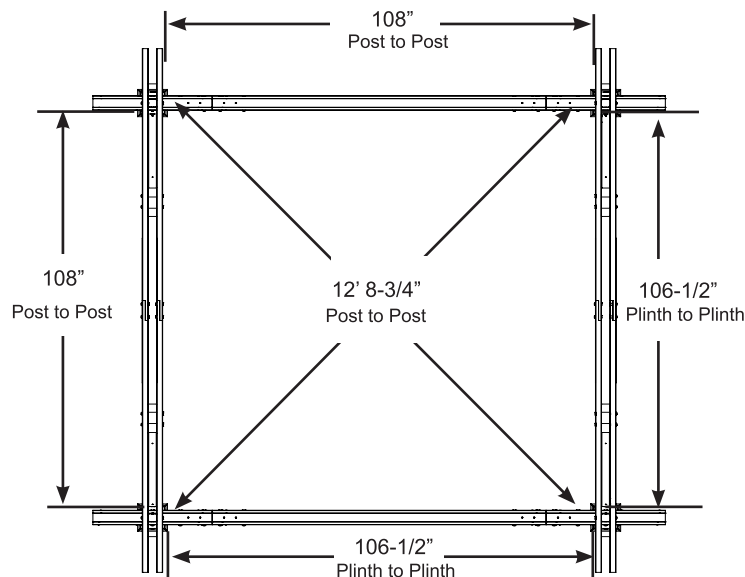
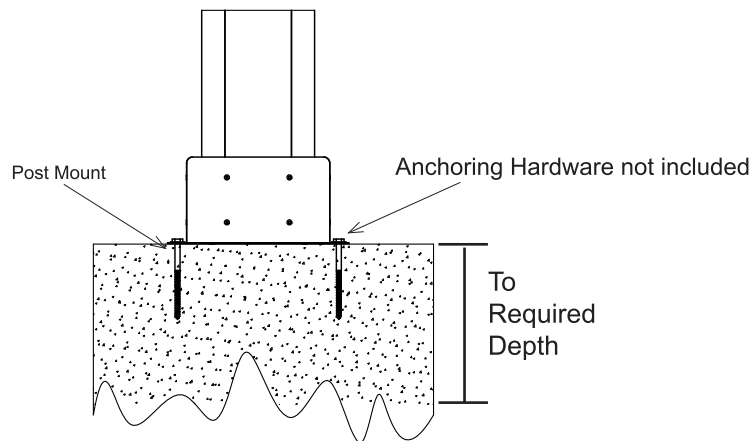
- The hardware to attach the Post Mount to the structure is included.
- The hardware to mount the structure permanently will need to be purchased separately at your local hardware store.

If you are mounting to concrete footers see below for the correct locations and placement. Please double check for possibility of any underground utilities such as gas, telephone, cable or sprinkler lines.

Following are some examples of how to mount the structure to wood or concrete surfaces.

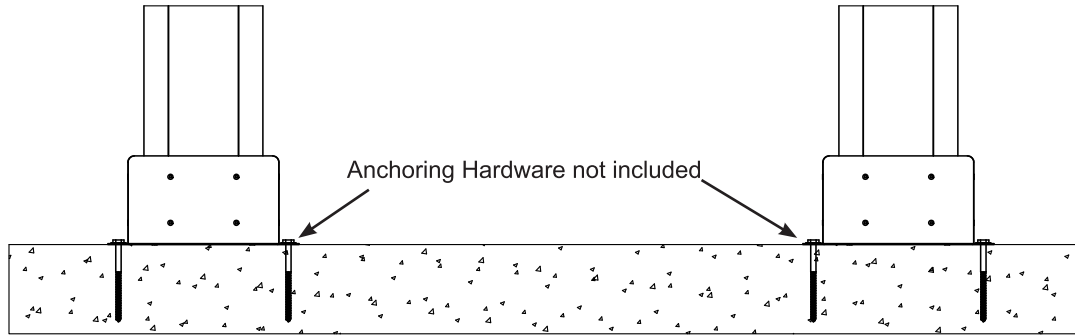
Refer to your local building and city codes, ordinances, neighbourhood covenants, or height restrictions regarding this type of structure for guidance on acceptable installation requirements.

## Concrete Footer

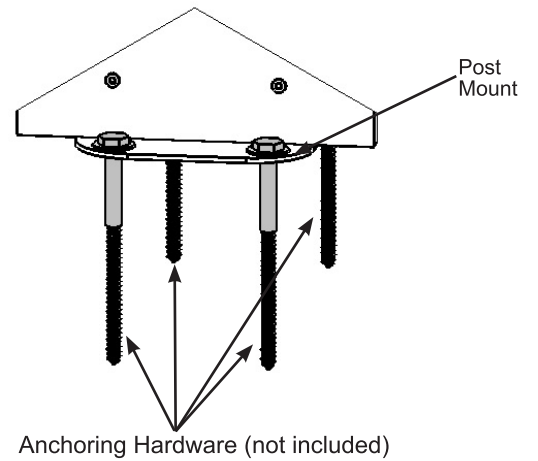
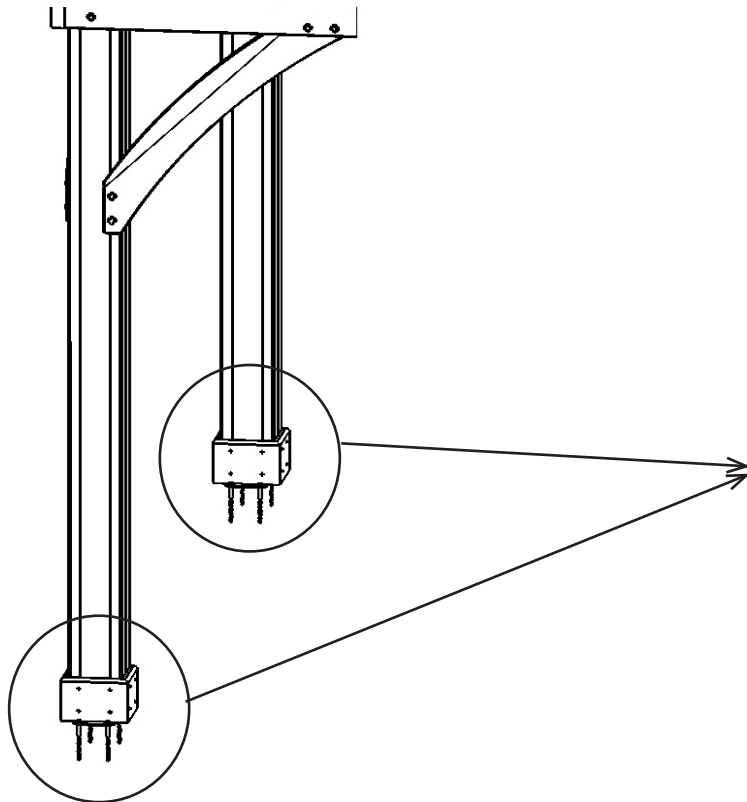
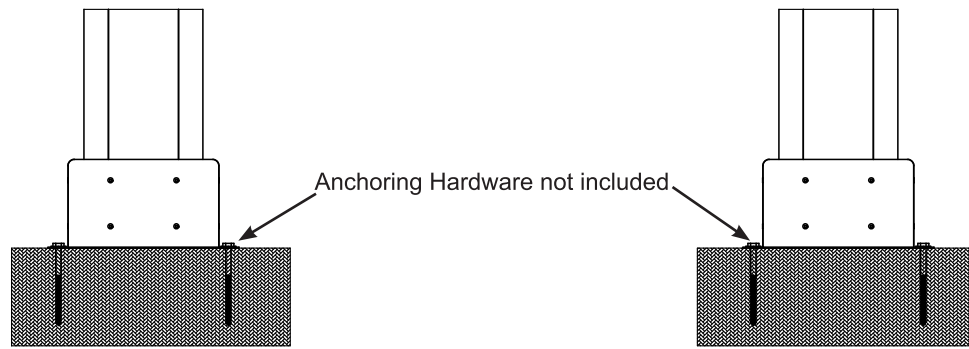


## Permanent Installation Examples cont.

Concrete Patio (min. 11' x 11') with 6" clearance on all sides

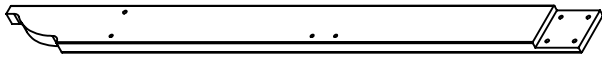


Wood Deck (min. 11' x 11') with 6" clearance on all sides

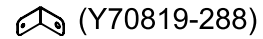


*Post Mounts have a 1/2" diameter hole for anchoring hardware.*

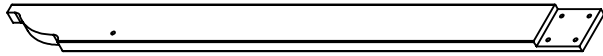
# Part Identification (Dimensions are approximate and are shown to assist in the identification of parts for assembly. Actual dimensions may be smaller or larger.)



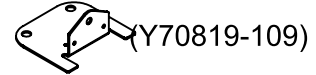
**8pc.** (913) - Trellis Joist A-1898.7mm (74-3/4") (Y50229-913)



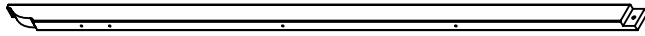
**1pc.** Trellis Bracket (26 pk) (Y70819-288)



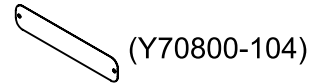
**8pc.** (914) - Trellis Joist B -1898.7mm (74-3/4") (Y50229-914)



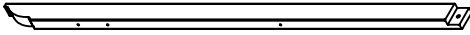
**1pc.** Post Mount (8 pk) (Y70819-109)



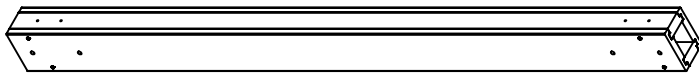
**10pc.** (916) - Long Trellis -2051.8mm (80-3/4") (Y50229-916)



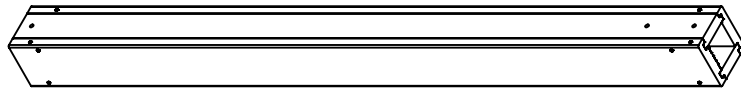
**1pc.** Gazebo ID Plaque (Y70800-104)



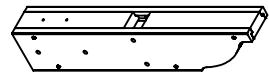
**10pc.** (915) - Short Trellis -1491.2mm (58-3/4") (Y50229-915)



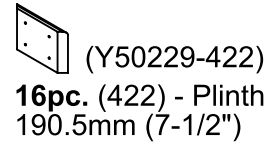
**2pc.** (921) - Beam Middle - 2133.6mm (84") (Y70229-921)



**4pc.** (902) - Pergola Post - 2235.2mm (88") (Y70229-902)



**4pc.** (905) - Beam End - 762mm (30") (Y70229-905)



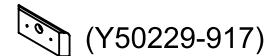
**16pc.** (422) - Plinth 190.5mm (7-1/2") (Y50229-422)



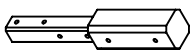
**4pc.** (909) - Long Gusset - 1015mm (39-15/16") (Y70229-909)



**4pc.** (899) - Gusset - 812.8mm (32") (Y70229-899)



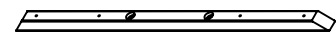
**16pc.** (917) - Post Trim 190.5mm (7-1/2") (Y50229-917)



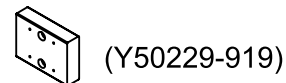
**4pc.** (920) - Post Block - 533.4mm (21") (Y50229-920)



**4pc.** (912) - Connector Block - 508mm (20") (Y50229-912)



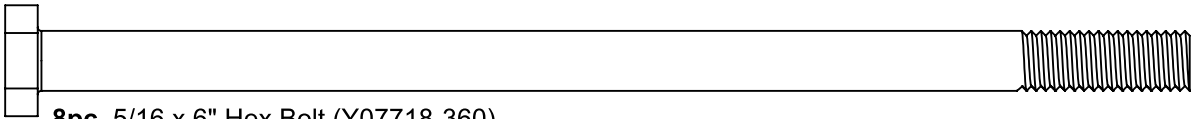
**8pc.** (918) - Splice - 1016mm (40") (Y50229-918)



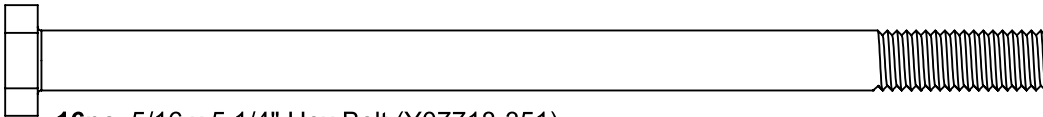
**8pc.** (919) - Top Post Block 190.5mm (7-1/2") (Y50229-919)



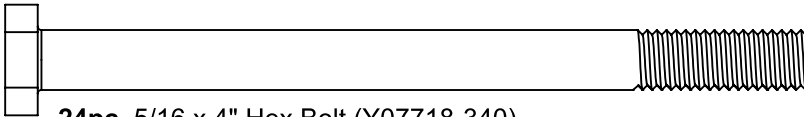
**Part Identification** ( Dimensions are approximate and are shown to assist in the identification of parts for assembly. Actual dimensions may be smaller or larger. )



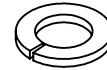
**8pc.** 5/16 x 6" Hex Bolt (Y07718-360)



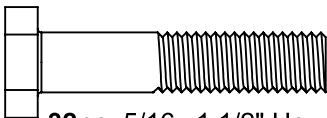
**16pc.** 5/16 x 5 1/4" Hex Bolt (Y07718-351)



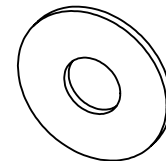
**24pc.** 5/16 x 4" Hex Bolt (Y07718-340)



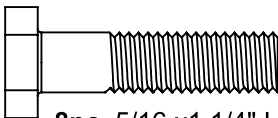
**88pc.** 5/16" Lock Washer (Y05318-300)



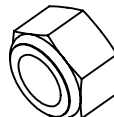
**32pc.** 5/16 x 1 1/2" Hex Bolt (Y07718-312)



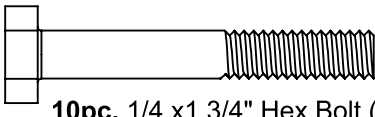
**136pc.** 5/16" Flat Washer - (Y05118-203)



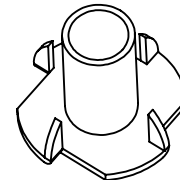
**8pc.** 5/16 x 1 1/4" Hex Bolt (Y07718-311)



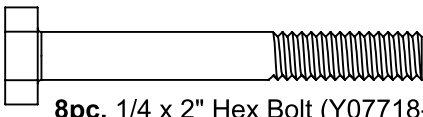
**18pc.** 1/4" Lock Nut (Y08318-203)



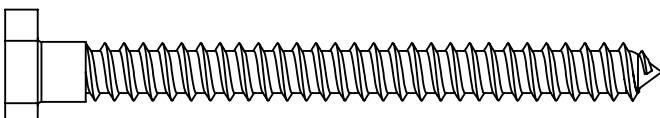
**10pc.** 1/4 x 1 3/4" Hex Bolt (Y07718-213)



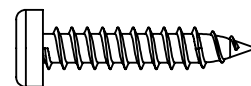
**88pc.** 5/16" T-Nut (Y08518-300)



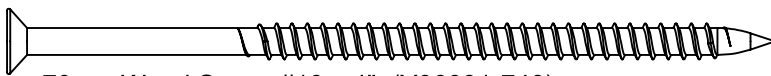
**8pc.** 1/4 x 2" Hex Bolt (Y07718-220)



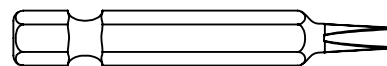
**28pc.** 5/16 x 3" Lag Screw (Y06218-330)



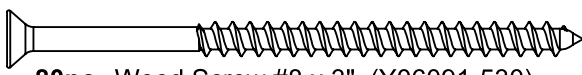
**44pc.** Pan Screw #10 x 1-1/4" (Y06491-711)



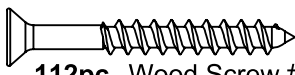
**70pc.** Wood Screw #10 x 4" (Y06091-740)



**1pc.** - #2 x 2" Robertson Driver (Y00400-005)



**80pc.** Wood Screw #8 x 3" (Y06091-530)



**112pc.** Wood Screw #8 x 1-1/2" (Y06091-512)



**1pc.** - 1/8" Drill Bit (Y00400-002)

# Step 1: Inventory Parts - Read This Before Starting Assembly



- A.** This is the time for you to inventory all your hardware, wood and accessories, referencing the parts identification sheets. This will assist you with your assembly.
- Each step indicates which bolts and/or screws you will need for assembly, as well as any flat washers, lock washers, t-nuts or lock nuts.
- B.** If there are any missing or damaged pieces or you need assistance with assembly please contact the consumer relations department directly. Call us before going back to the store.

**1-888-509-4382**

**support@yardistrystructures.com**

- C.** Read the assembly manual completely, paying special attention to ANSI warnings; notes; and safety/maintenance information on pages 1 - 4.
- Follow the instructions in order.
  - This structure is designed to be assembled and installed ideally by four people, DO NOT attempt to install alone.
  - Consider the slope of elevation where you plan to install the structure. Also, check for gas, telephone, other utilities or sprinkler line locations prior to excavating any holes.
- D.** Before you discard your cartons fill out the form below.
- The carton I.D. stamp is located on the end of each carton.
  - Please retain this information for future reference. You will need this information if you contact the Consumer Relations Department.

**PRODUCT NUMBER: YM12775**

CARTON I.D. STAMP: \_ \_ \_ \_ \_ (Box 1)

CARTON I.D. STAMP: \_ \_ \_ \_ \_ (Box 2)

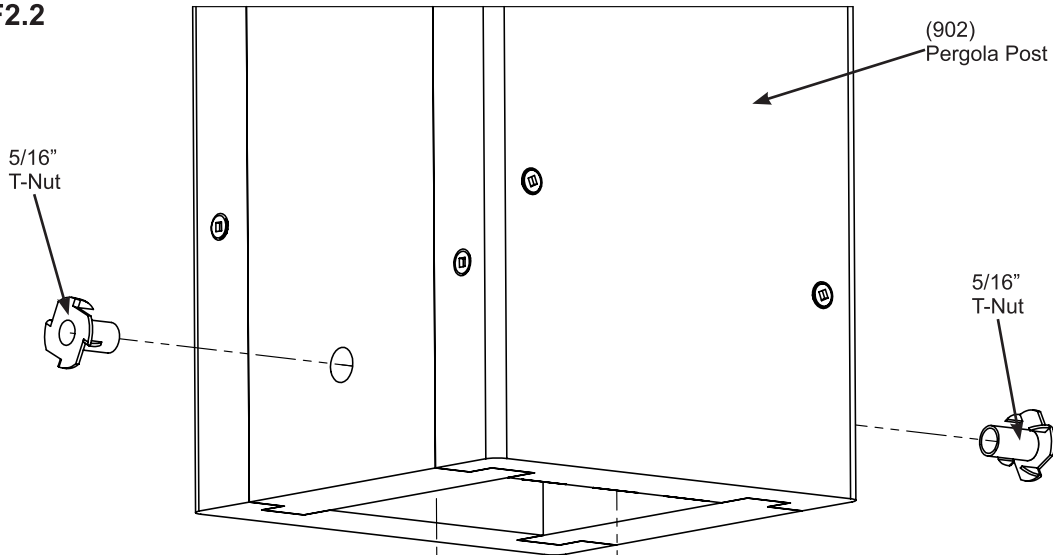
CARTON I.D. STAMP: \_ \_ \_ \_ \_ (Box 3)

## Step 2: Post Assemblies, Part 1

**A:** At the bottom of one (902) Pergola Post insert two 5/16" T-Nuts as shown in F2.2.

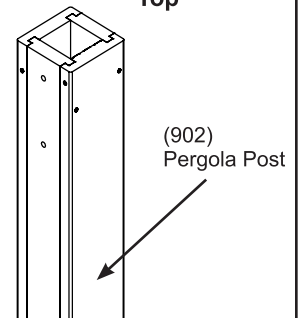
**B:** At the bottom of (902) Pergola Post place two Post Mounts tight to the bottom and inside faces as shown in F2.1 and F2.2. Loosely attach with one 5/16 x 1-1/4" Hex Bolt (with 5/16" lock washer and 5/16" flat washer) per mount so they connect to the T-Nuts.

**F2.2**

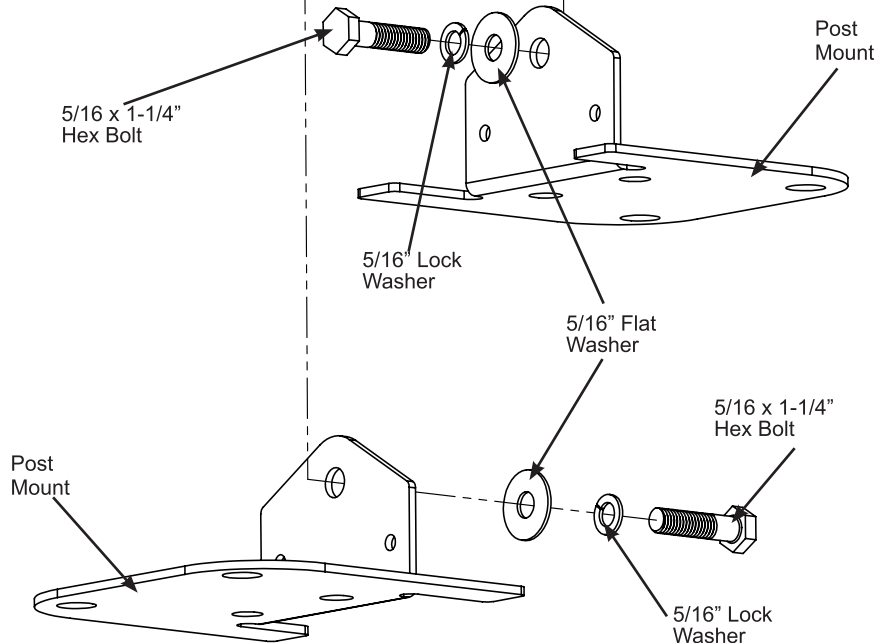


**F2.1**

**Top**



**Bottom**



### Wood Parts

4 x (902) Pergola Post

### Hardware

8 x 5/16" T-Nut

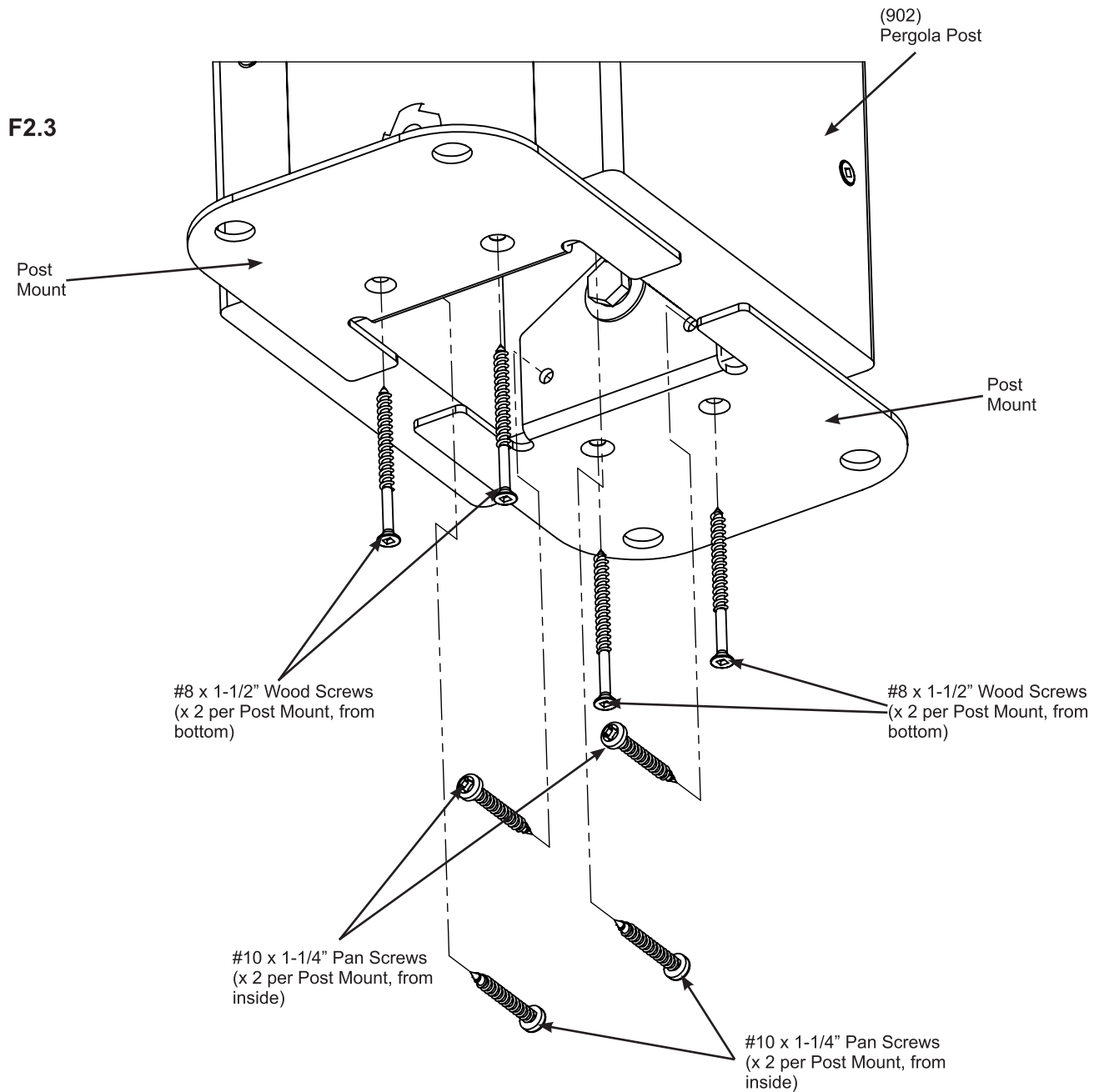
8 x 5/16 x 1-1/4" Hex Bolt  
(with 5/16" lock washer, 5/16" flat washer)

8 x Post Mount

## Step 2: Post Assemblies, Part 2

**C:** From the inside attach two #10 x 1-1/4" Pan Screws per mount. These screws are installed at a slight angle. (F2.3)

**D:** From the bottom attach Post Mounts to posts with two #8 x 1-1/2" Wood Screws per mount. Tighten all bolts. (F2.3)



### Hardware

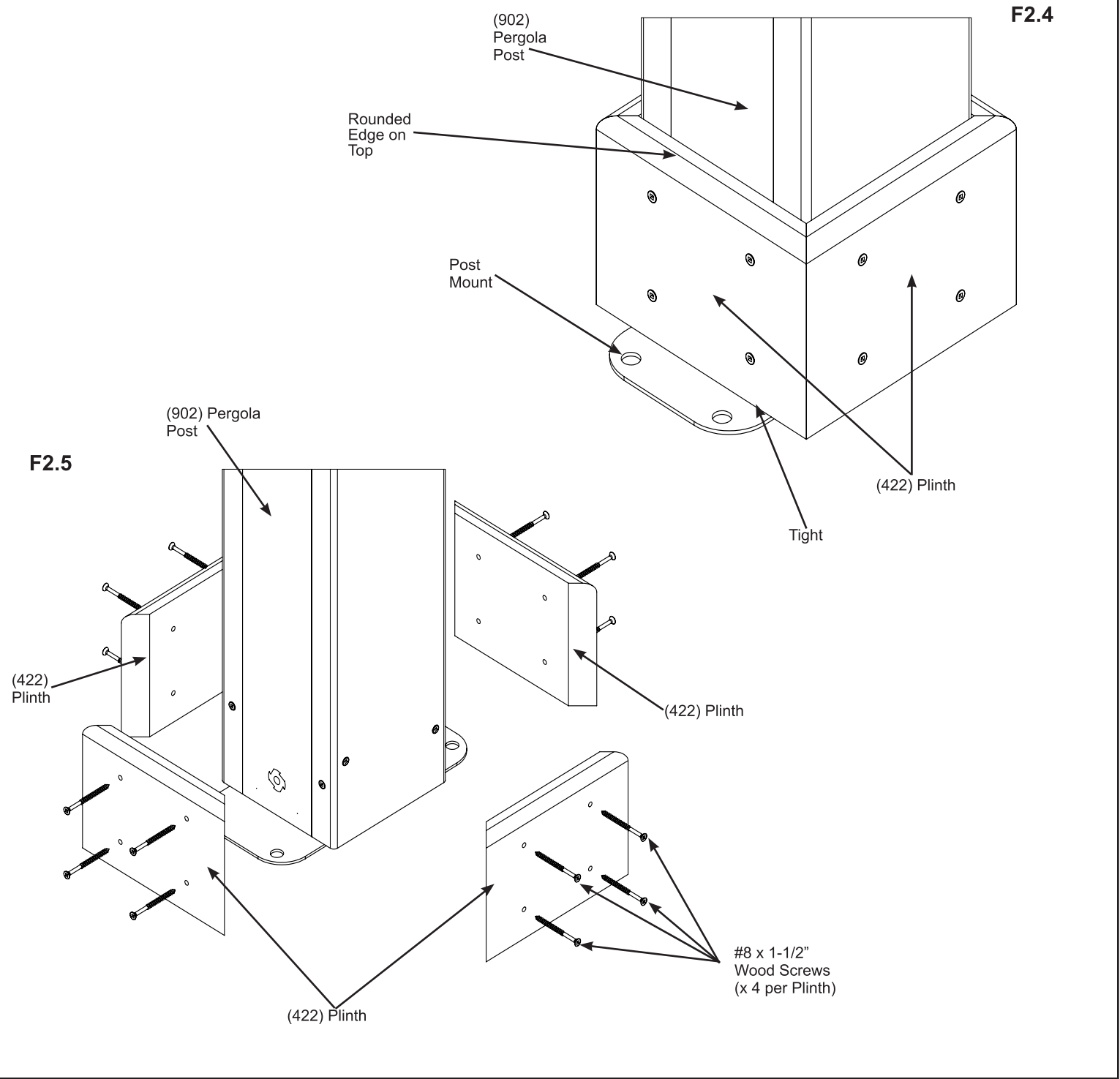
16 x #10 x 1-1/4" Pan Screw

16 x #8 x 1-1/2" Wood Screw

## Step 2: Post Assemblies, Part 3

**E:** Place one (422) Plinth flush to the bottom and tight to the Post Mounts on each side of the (902) Pergola Post and attach with four #8 x 1-1/2" Wood Screws per plinth. Rounded edges on top. (F2.4 and F2.5)

**F:** Repeat Steps A - E three more times to make four Post Assemblies.



### Wood Parts

16 x (422) Plinth

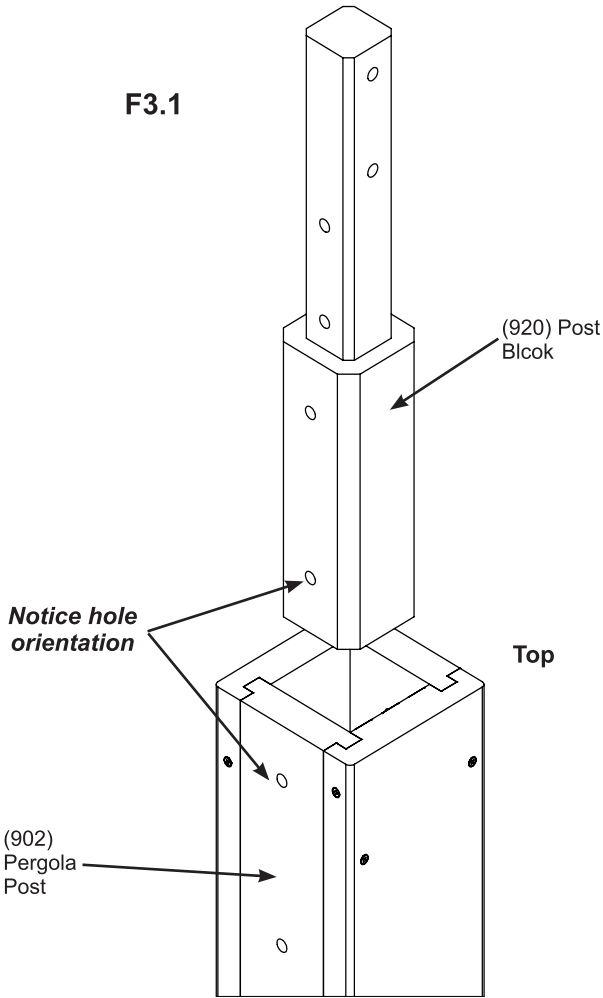
### Hardware

64 x #8 x 1-1/2" Wood Screw

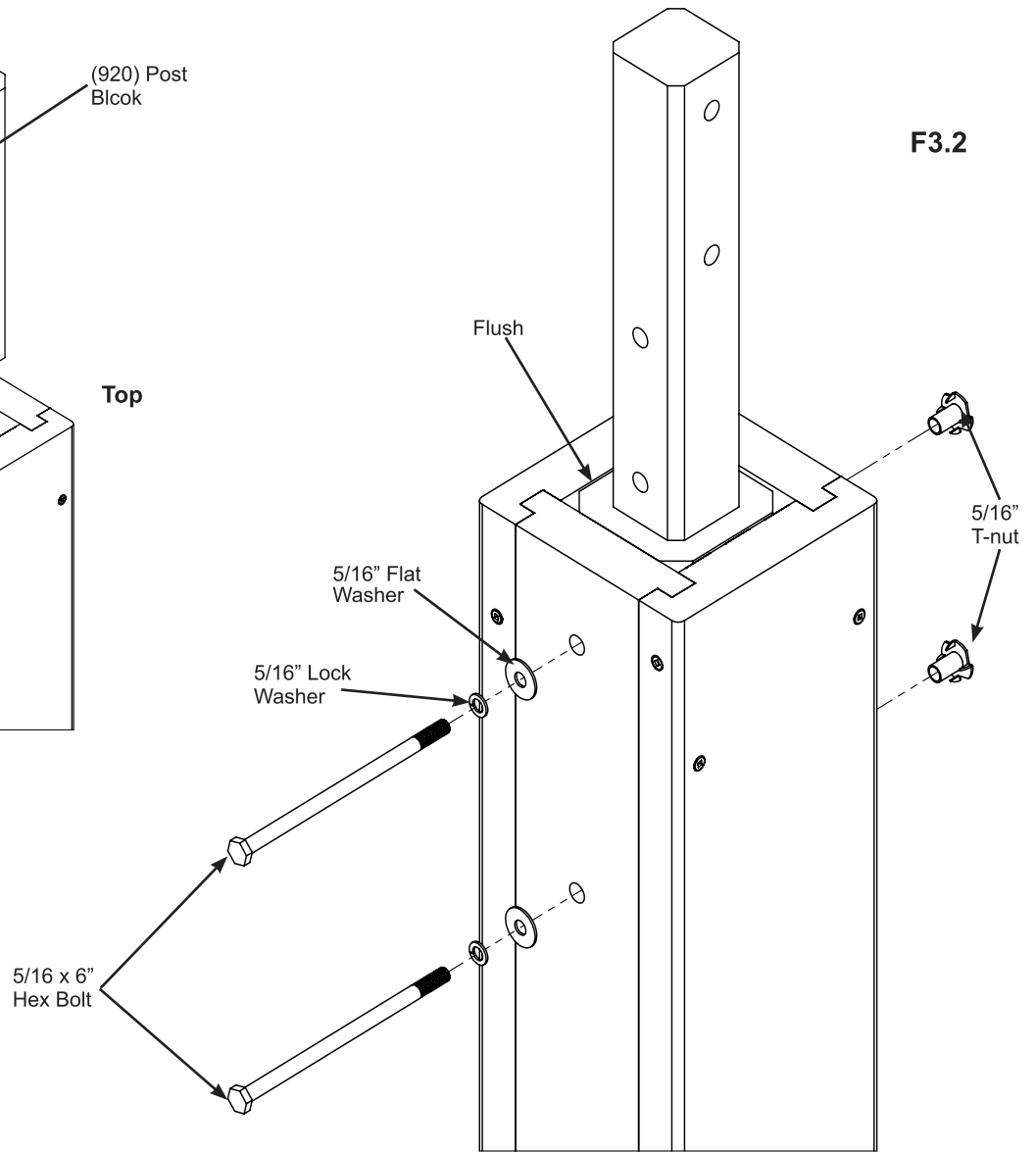
# Step 3: Attach Post Block

**A:** In all four Post Assemblies, place one (920) Post Block inside the top of each (902) Pergola Post. Make sure holes in (920) Post Block align with holes in (902) Pergola Post then attach with two 5/16 x 6" Hex Bolts (with 5/16" lock washer, 5/16" flat washer and 5/16" t-nut). (F3.1 and F3.2)

F3.1



F3.2



## Wood Parts

4 x (920) Post Block

## Hardware

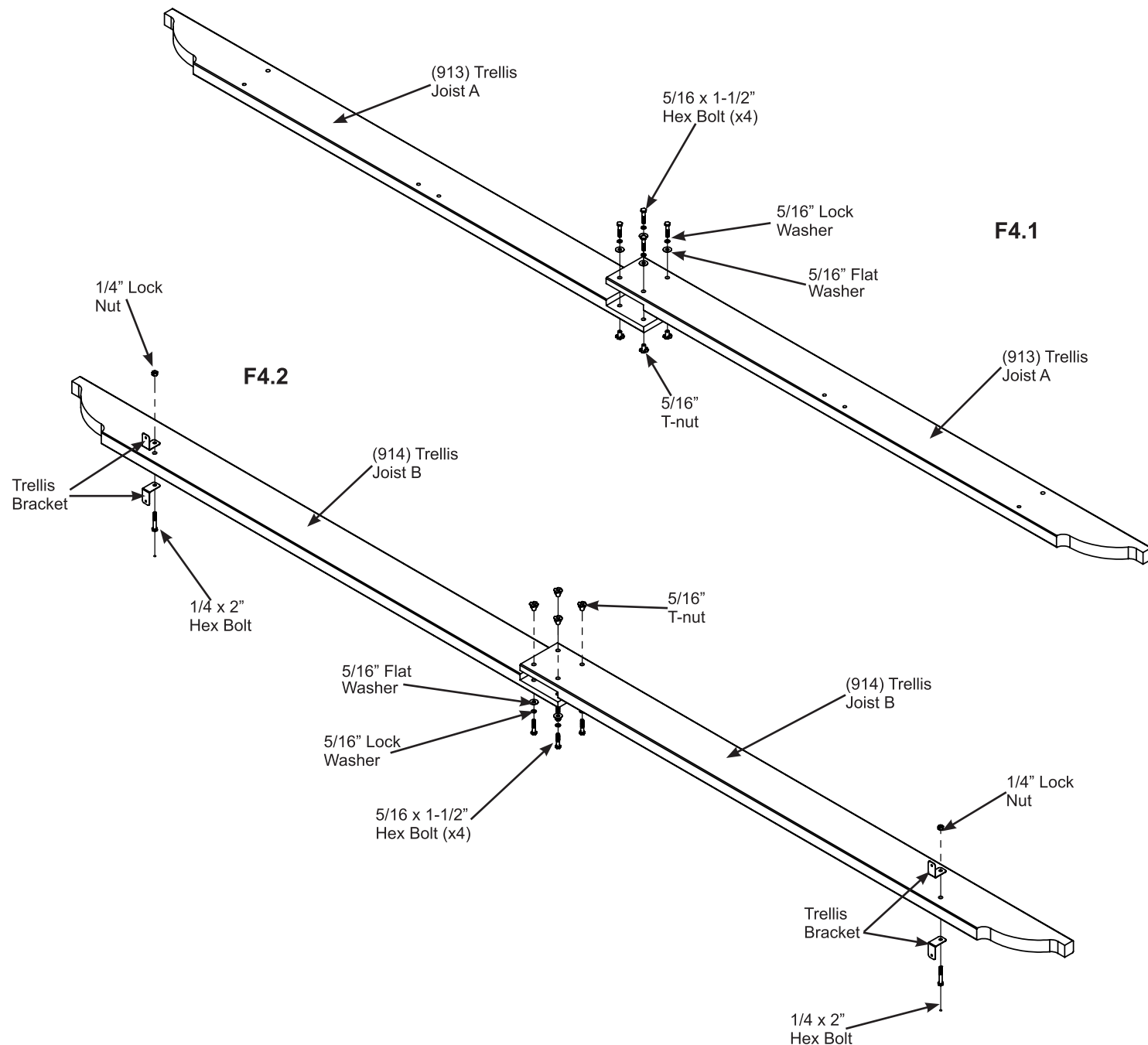
8 x 5/16 x 6" Hex Bolt  
(5/16" lock washer, 5/16" flat washer, 5/16" t-nut)

# Step 4: Trellis Joist Assembly, Part 1

**A:** Interlock the cut-outs on two (913) Trellis Joist A and attach using four 5/16 x 1-1/2" Hex Bolts (with 5/16" lock washer, 5/16" flat washer and 5/16" t-nut) as shown in F4.1. Repeat three more times to make four Trellis Joist A Assemblies.

**B:** Repeat Step A using (914) Trellis Joist B to make four Trellis Joist B Assemblies. (F4.2)

**C:** On each Trellis Joist B Assembly attach two Trellis Brackets to each end with one 1/4 x 2" Hex Bolts (with 1/4" lock nut) per set of brackets. (F4.2)



## Wood Parts

8 x (913) Trellis Joist A  
8 x (914) Trellis Joist B

## Components

16 x Trellis Bracket

## Hardware

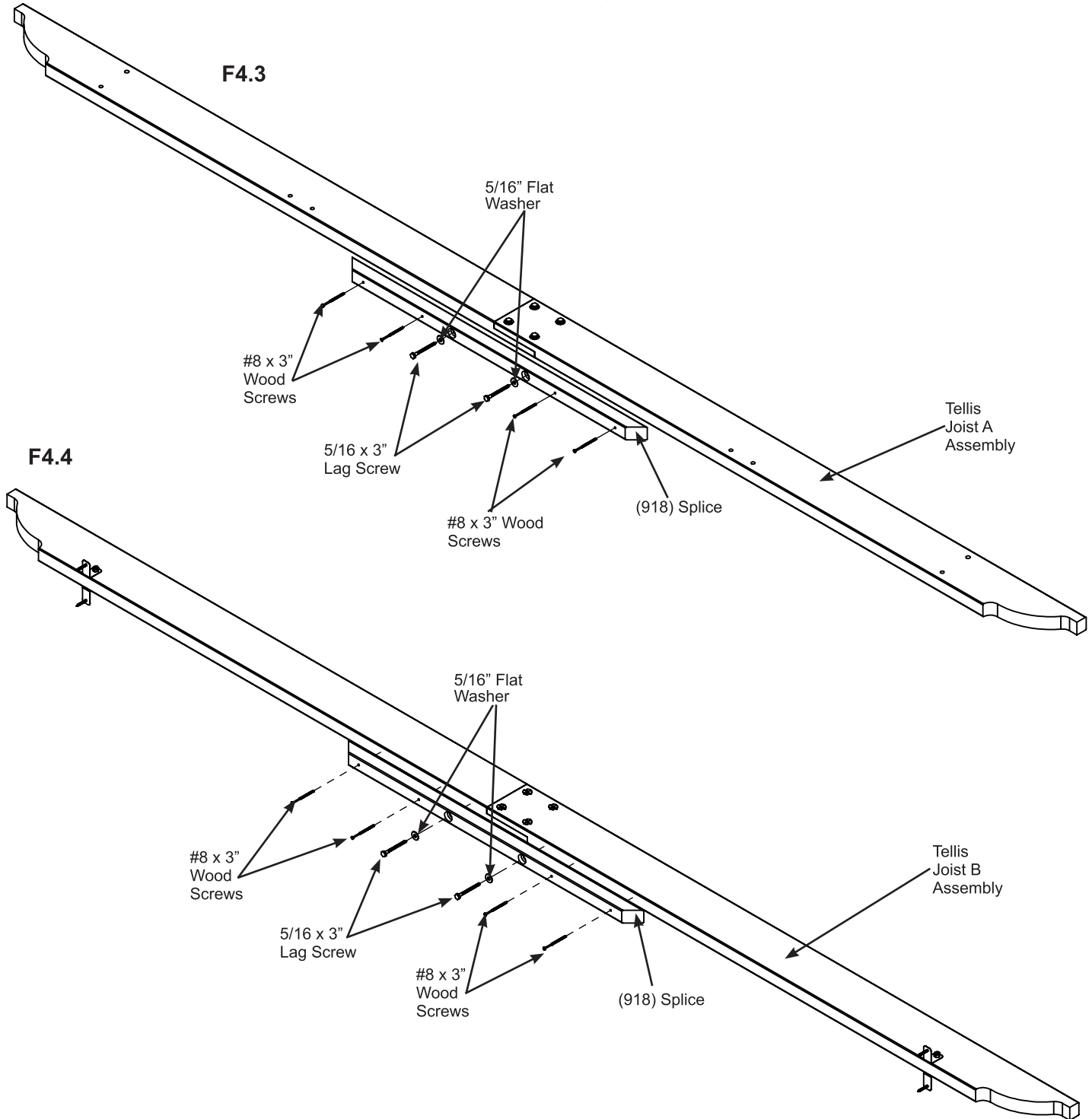
32 x 5/16 x 1-1/2" Hex Bolt  
(5/16" lock washer, 5/16" flat washer, 5/16" t-nut)  
8 x 1/4 x 2" Hex Bolt (1/4" lock nut)

# Step 4: Trellis Joist Assembly, Part 2



**D:** On the short side of each Trellis Joist A Assembly and each Trellis Joist B Assembly centre one (918) Splice and attach with four #8 x 3" Wood Screws per assembly. (F4.3 and F4.4)

**E:** In the centre holes of each (918) Splice, pre-drill with a 1/8" drill bit, then attach (918) Splices to each assembly with two 5/16 x 3" Lag Screw (with 5/16" flat washer). (F4.3 and F4.4)



### Wood Parts

8 x (918) Splice

### Hardware

32 x #8 x 3" Wood Screw

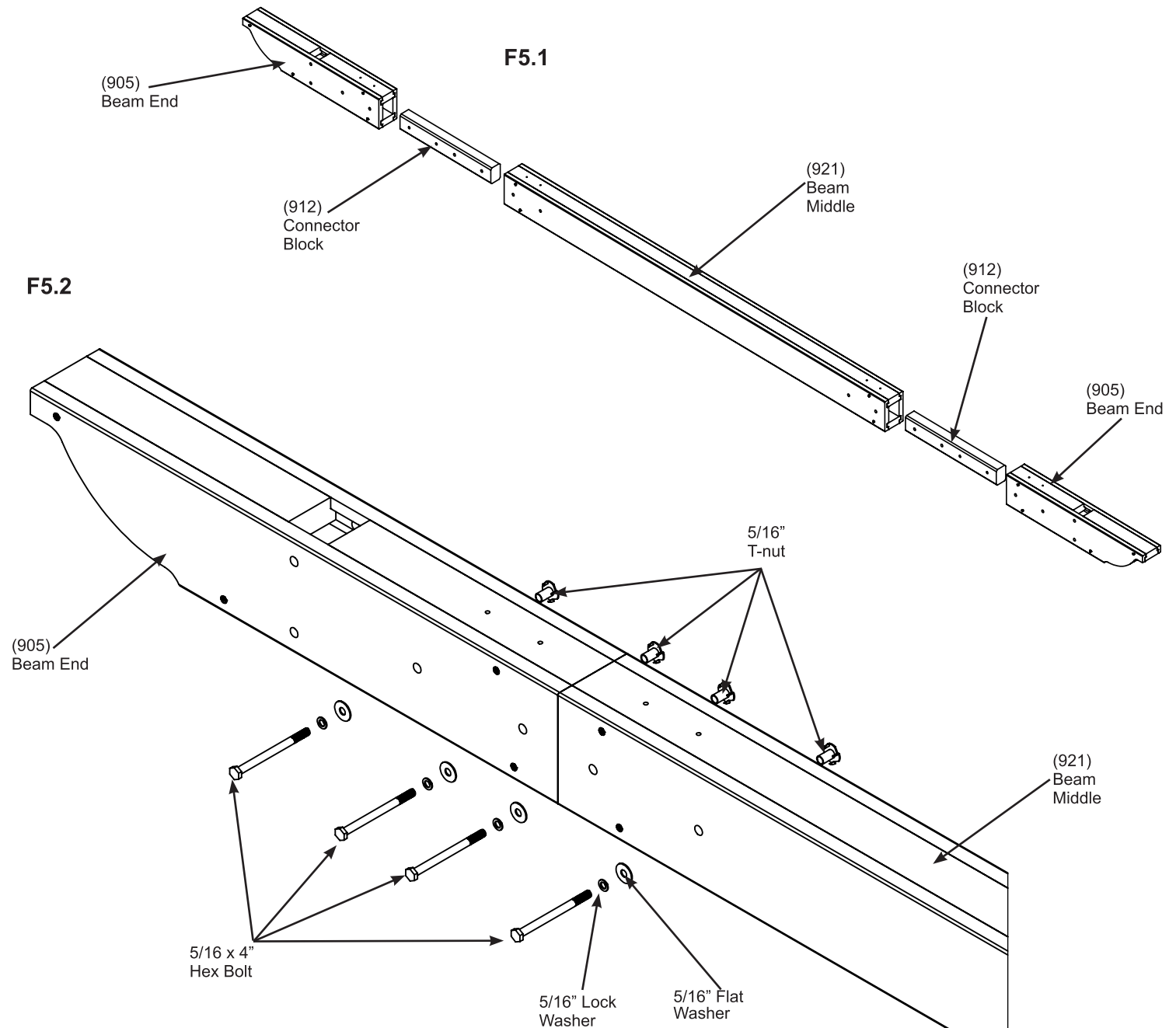
16 x 5/16 x 3" Lag Screw (5/16" flat washer)



# Step 5: Beam Assembly, Part 1

**A:** At each end of one (921) Beam Middle connect one (905) Beam End using one (912) Connector Block as shown in F5.1. Notice pilot holes in (921) Beam Middle are facing up and detail in (905) Beam Ends are facing down. Repeat for a second Beam Assembly.

**B:** On each Beam Assembly loosely attach (921) Beam Middle and (905) Beam Ends to (912) Connector Blocks with four 5/16 x 4" Hex Bolts (with 5/16" lock washer, 5/16" flat washer and 5/16" t-nut) per end, as shown in F5.2.



## Wood Parts

- 2 x (921) Beam Middle
- 4 x (905) Beam End
- 4 x (912) Connector Block

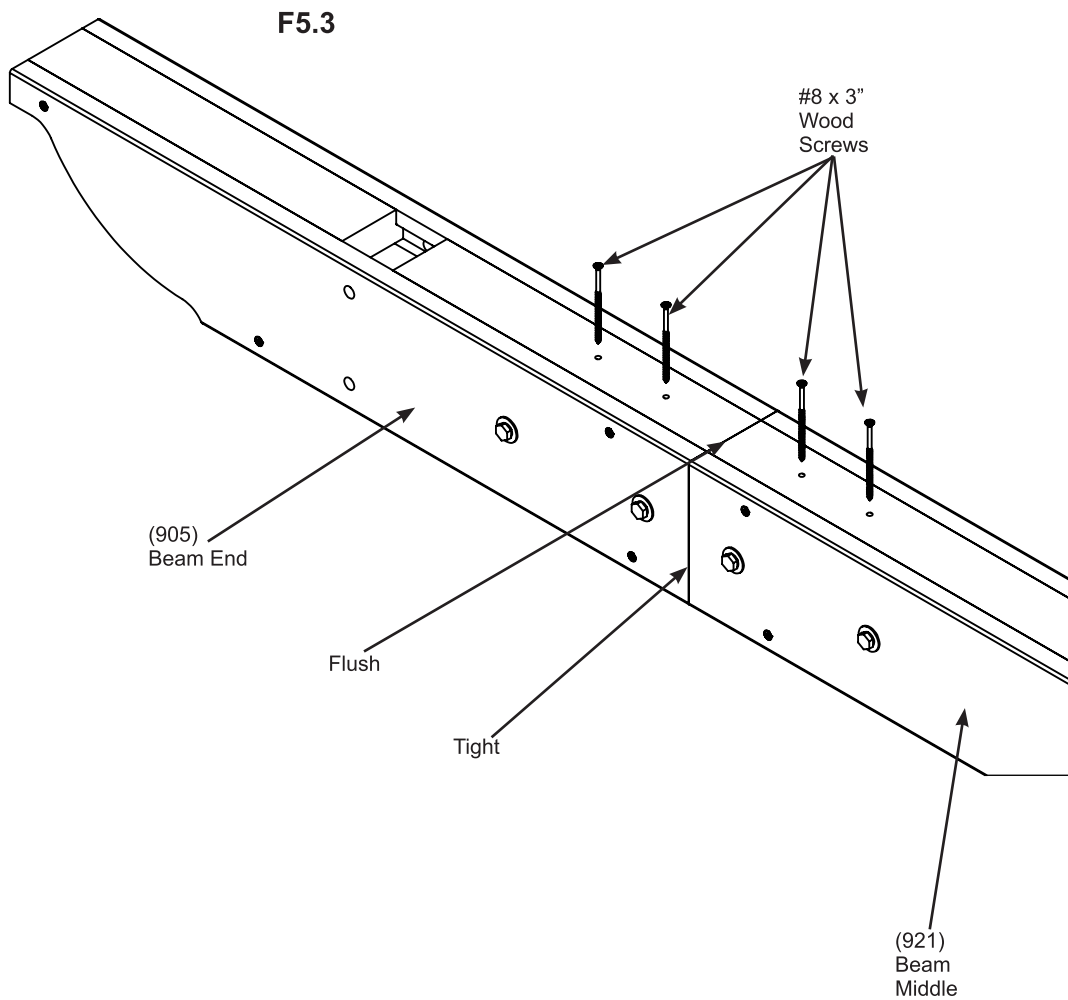
## Hardware

- 16 x 5/16 x 4" Hex Bolt  
(5/16" lock washer, 5/16" flat washer, 5/16" t-nut)

## Step 5: Beam Assembly, Part 2

**C:** Make sure (905) Beam Ends and (921) Beam Middles are tight together and flush on the top for each Beam Assembly then attach (921) Beam Middle and (905) Beam Ends to (912) Connector Blocks with four #8 x 3" Wood Screws per end, as shown in F5.3.

**D:** Tighten all bolts.



### Hardware

16 x #8 x 3" Wood Screw

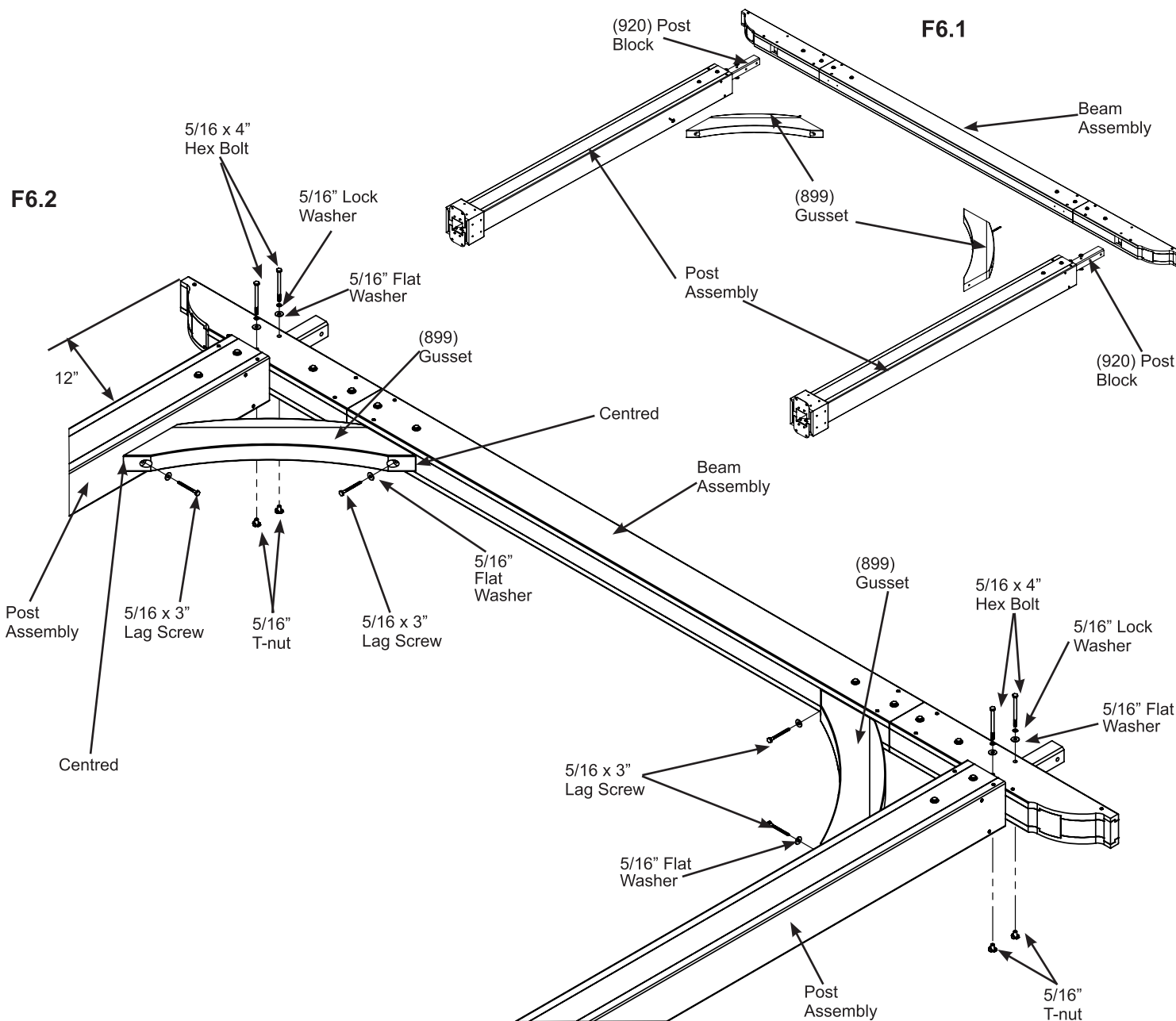
# Step 6: Post and Beam Assembly



**A:** Lay two Post Assemblies on a flat surface with the the bolt heads facing up. Place one Beam Assembly over (920) Post Blocks then attach with two 5/16 x 4" Hex Bolts (with 5/16" lock washer, 5/16" flat washer and 5/16" t-nut) per end. Make sure Beam Assembly overhangs the Post Assemblies by 12", the assembly is square and the bolts are tight. (F6.1 and F6.2)

**B:** Place one (899) Gusset, centred on Post and Beam Assemblies, in each corner, pre-drill with a 1/8" drill bit and attach to post and beam with two 5/16 x 3" Lag Screws (with 5/16" flat washer) per gusset. (F6.1 and F6.2)

**C:** Repeat Steps A and B to create a second Post and Beam Assembly.



## Wood Parts

4 x (899) Gusset

## Hardware

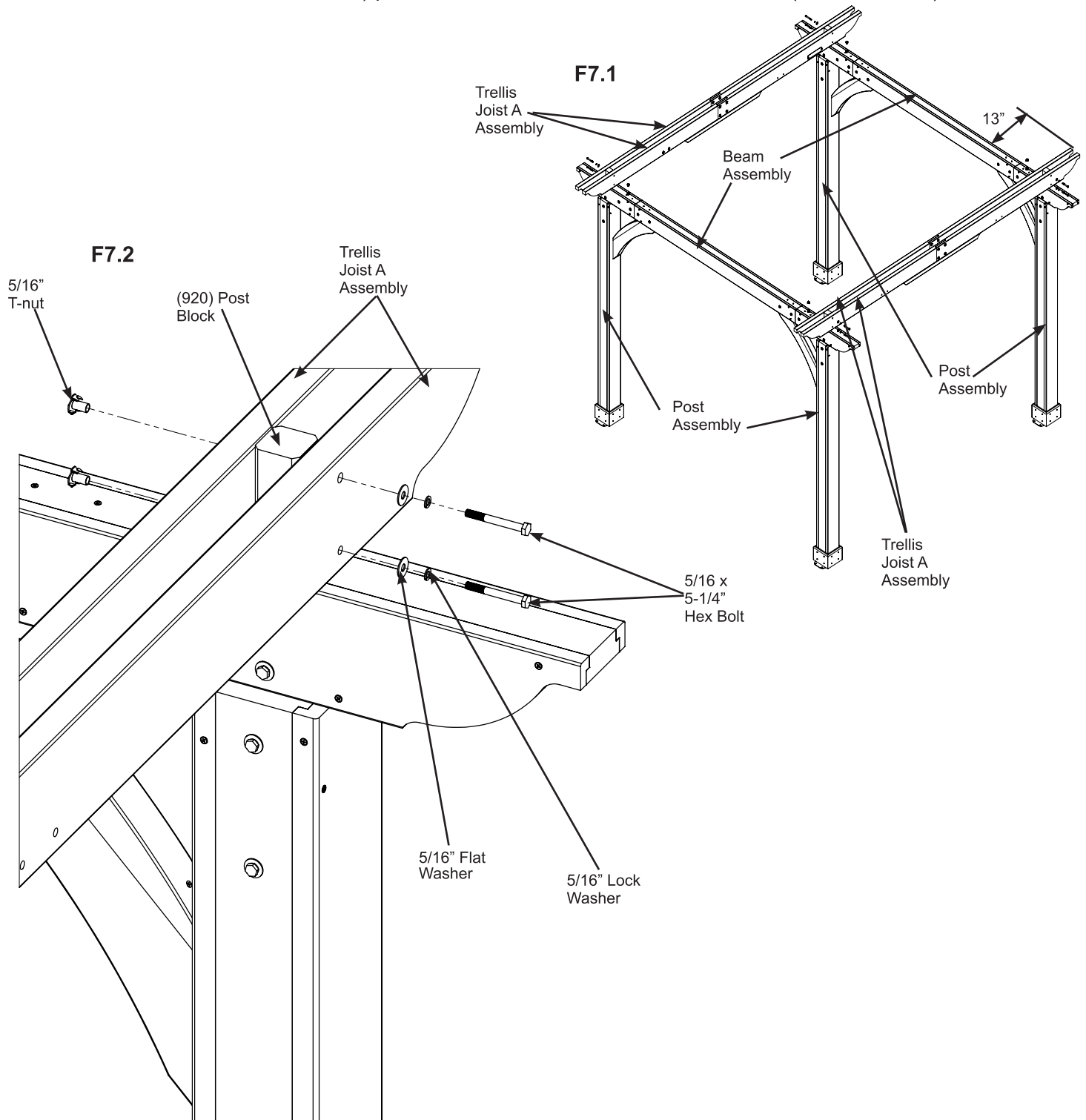
8 x 5/16 x 3" Lag Screw (5/16" flat washer)

8 x 5/16 x 4" Hex Bolt  
(5/16" lock washer, 5/16" flat washer, 5/16" t-nut)

# Step 7: Attach Trellis Joist A Assemblies



**A:** Stand both Post and Beam Assemblies then place four Trellis Joist A Assemblies on Beam Assemblies, two at each end, tight to each side of (920) Post Blocks. Ends of each Trellis Joist A Assembly to overhang Beam Assemblies by 13". Attach trellis assemblies to (920) Post Block with two 5/16 x 5-1/4" Hex Bolts (with 5/16" lock washer, 5/16" flat washer and 5/16" t-nut) per corner. Make sure bolt head face out. (F7.1 and F7.2)



## Hardware

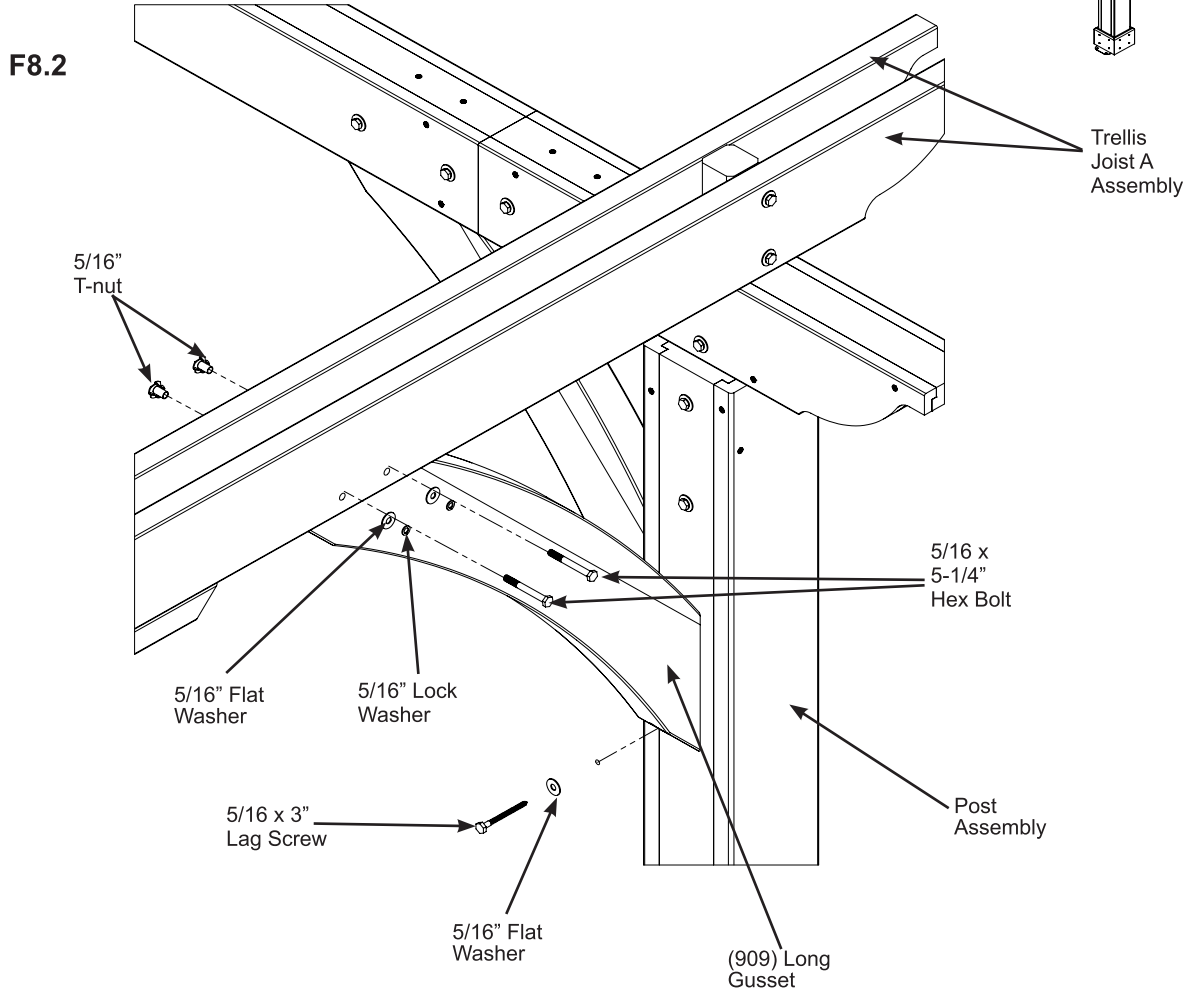
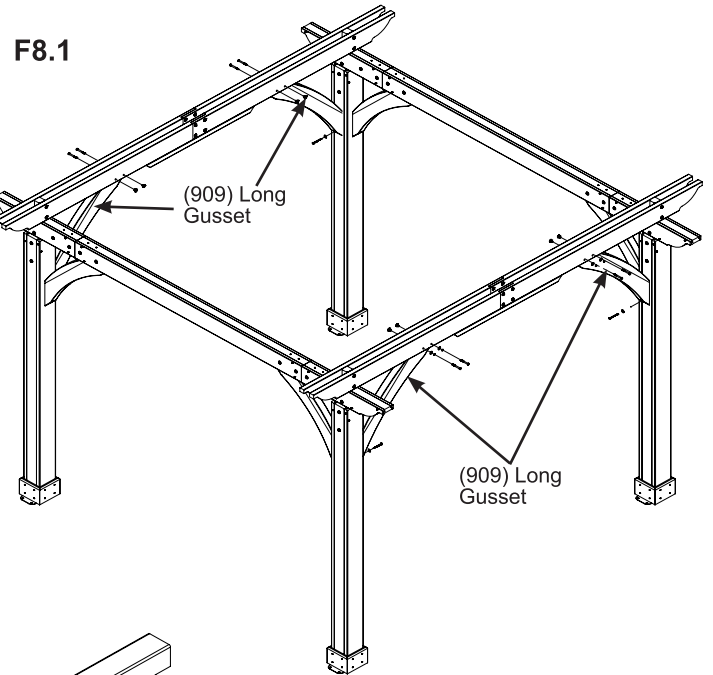
8 x 5/16 x 5-1/4" Hex Bolt  
(5/16" lock washer, 5/16" flat washer, 5/16" t-nut)

# Step 8: Attach Long Gussets, Part 1



**A:** Make sure Post Assemblies are square to Trellis Joist A Assemblies then at the four corners in F8.1 place one (909) Long Gusset tight to Post Assembly and in between two Trellis Joist A Assemblies. Loosely attach (909) Long Gussets to Trellis Joist A Assemblies with two 5/16 x 5-1/4" Hex Bolts (with 5/16" lock washer, 5/16" flat washer and 5/16" t-nut) per gusset. (F8.1 and F8.2)

**B:** Pre-drill with a 1/8" drill bit then attach (909) Long Gusset to Post Assemblies with one 5/16 x 3" Lag Screw (with 5/16" flat washer) per gusset. Tighten all bolts. (F8.2)



### Wood Parts

4 x (909) Long Gusset

### Hardware

4 x 5/16 x 3" Lag Screw (5/16" flat washer)

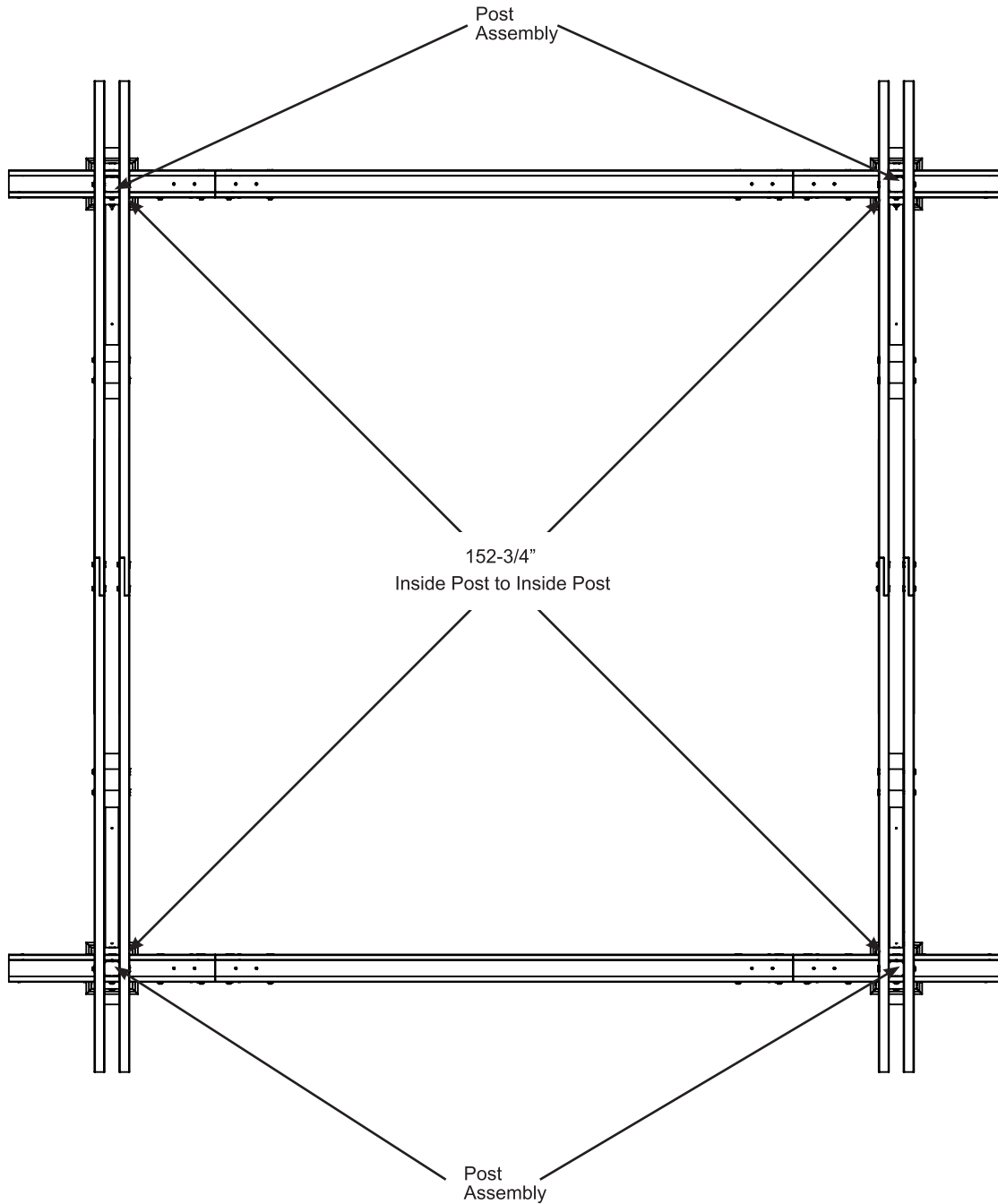
8 x 5/16 x 5-1/4" Hex Bolt  
(5/16" lock washer, 5/16" flat washer, 5/16" t-nut)

## Step 8: Attach Long Gussets, Part 2



**C:** The diagonal distance between the inside of two Post Assemblies should be  $152\text{-}3/4$ " (measuring from post not plinth). (F8.3)

F8.3

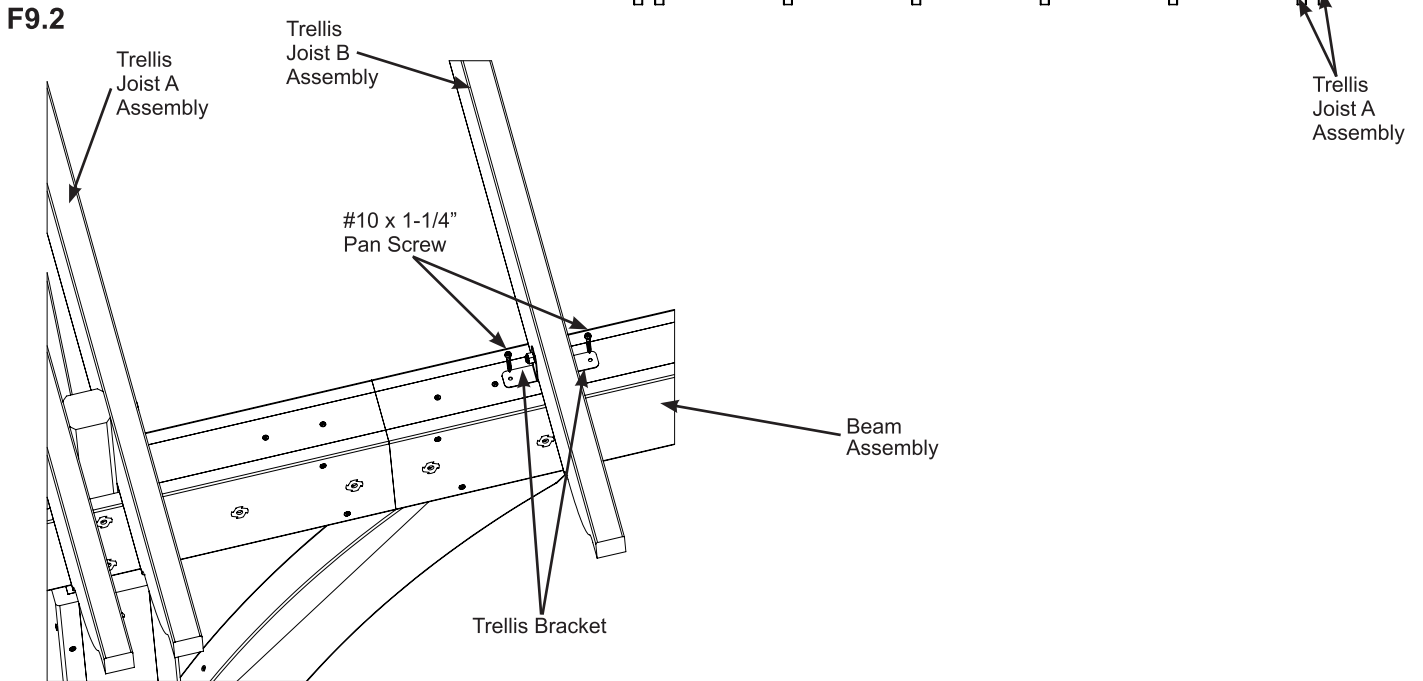
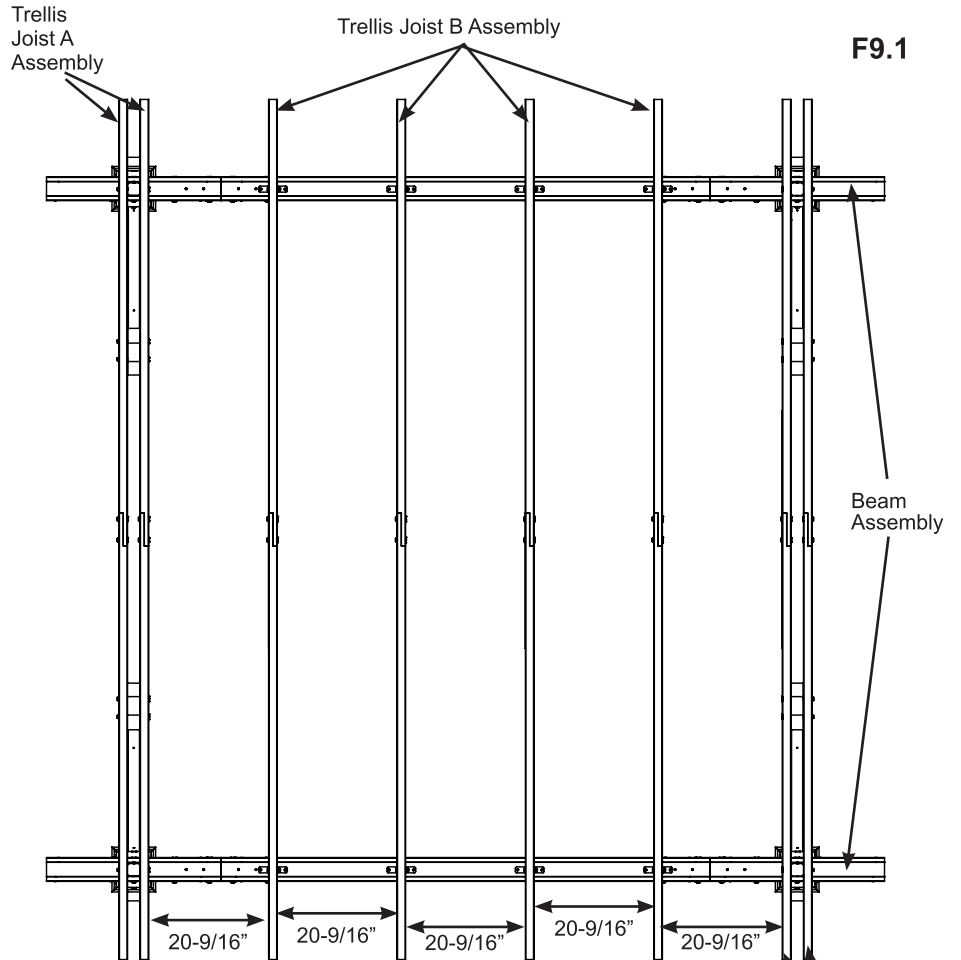


# Step 9: Attach Trellis Joist B Assemblies



**A:** On each Beam Assembly measure 20-9/16" from inside of one inner Trellis Joist A Assembly then place one Trellis Joist B Assembly at marked location and attach through Trellis Brackets with two #10 x 1-1/4" Pan Screws per end. (F9.1 and F9.2)

**B:** Place remaining three Trellis Joist B Assemblies on each Beam Assembly. Distance between assemblies should be 20-9/16". Attach Trellis Joist B Assemblies to Beam Assemblies through Trellis Brackets with four #10 x 1-1/4" Pan Screws per assembly. (F9.1 and F9.2)



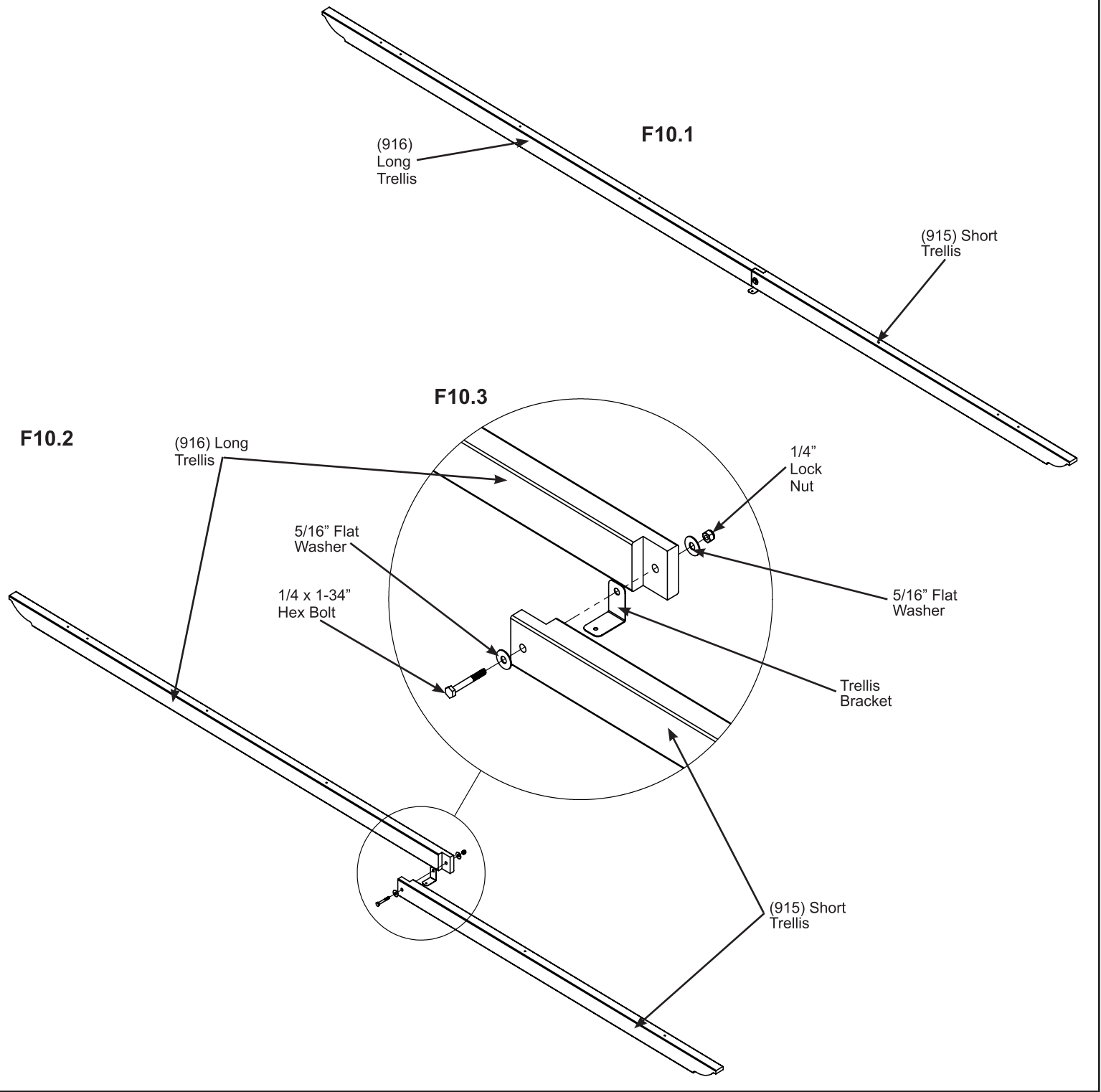
## Hardware

16 x #10 x 1-1/4" Pan Screw

# Step 10: Trellis Assembly

**A:** With one Trellis Bracket connect one (915) Short Trellis to one (916) Long Trellis using one 1/4 x 1-3/4" Hex Bolts (with 5/16" flat washer x 2 and 1/4" lock nut). (F10.1, F10.2 and F10.3)

**B:** Repeat Step A to complete nine more Trellis Assemblies. There will be 10 in total.



## Wood Parts

10 x (915) Short Trellis  
10 x (916) Long Trellis

## Components

10 x Trellis Bracket

## Hardware

10 x 1/4 x 1-3/4" Hex Bolt  
(5/16" flat washer x 2, 1/4" lock nut)

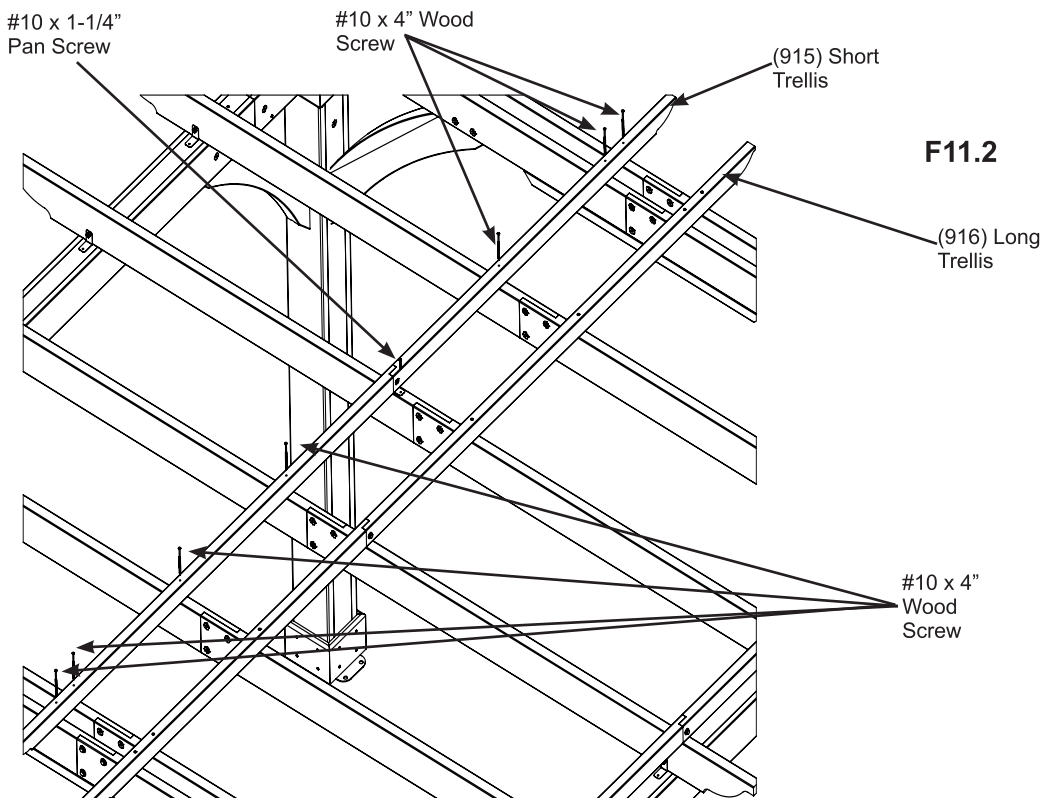
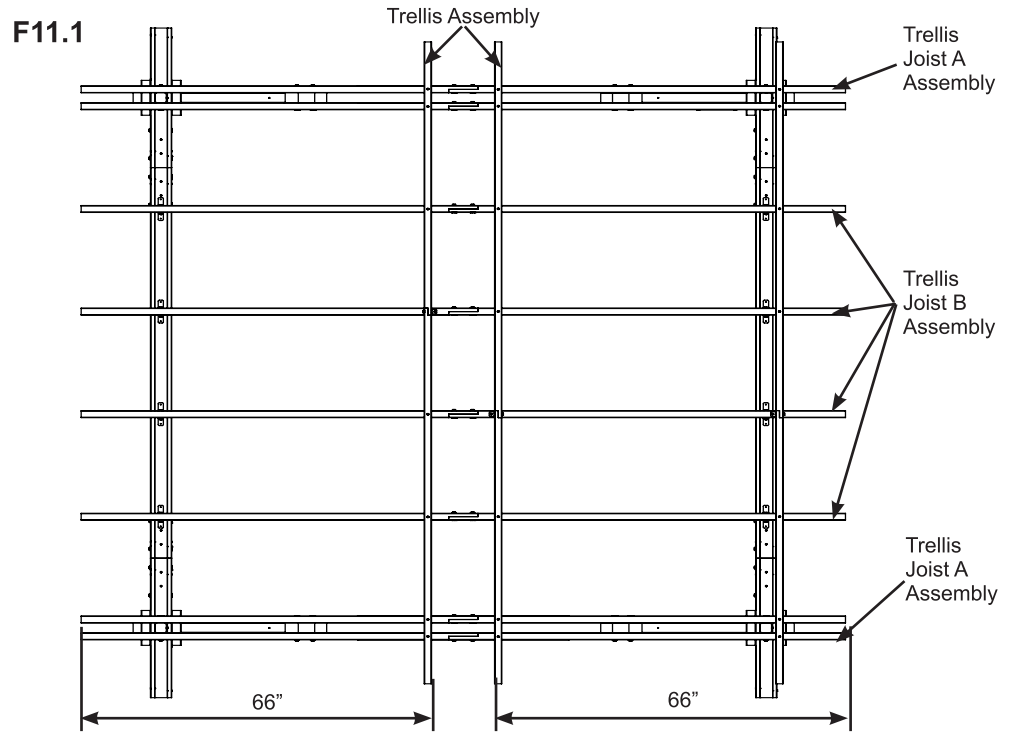


# Step 11: Attach Trellis Assemblies Part 1



**A:** Measure 66" from the end of one outside Trellis Joist A Assembly then place one Trellis Assembly on top of each Trellis Joist Assembly so the pilot holes are centred over each Trellis Joist A Assembly. Attach through the Trellis Bracket with one #10 x 1-1/4" Pan Screw and with seven #10 x 4" Wood Screws in the remaining Trellis Joist Assemblies. (F11.1 and F11.2)

**B:** Repeat Step A for the other side of the Trellis Joist A Assembly, this time alternating the placement of (915) Short Trellis and (916) Long Trellis. (F11.1 and F11.2)



### Hardware

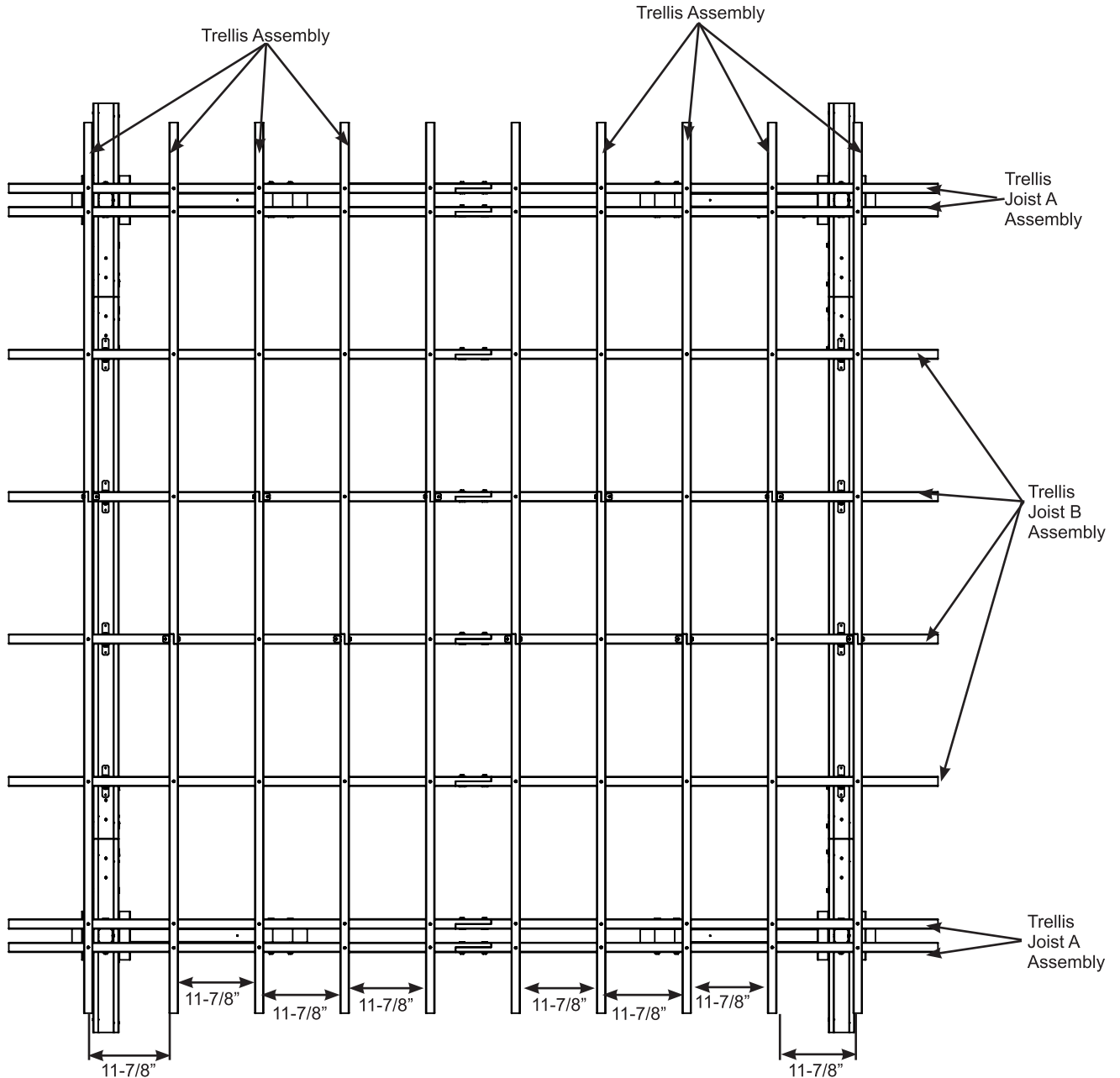
- 2 x #10 x 1-1/4" Pan Screw
- 14 x #10 x 4" Wood Screw

# Step 11: Attach Trellis Assemblies Part 2



**C:** Moving outwards from the first two Trellis Assemblies place remaining eight assemblies along Trellis Joist Assemblies. Alternate (915) Short Trellis and (916) Long Trellis. Distance between each Trellis Assembly should be 11-7/8". Attach as done in Step A. (F11.2 and F11.3)

**F11.3**



### Hardware

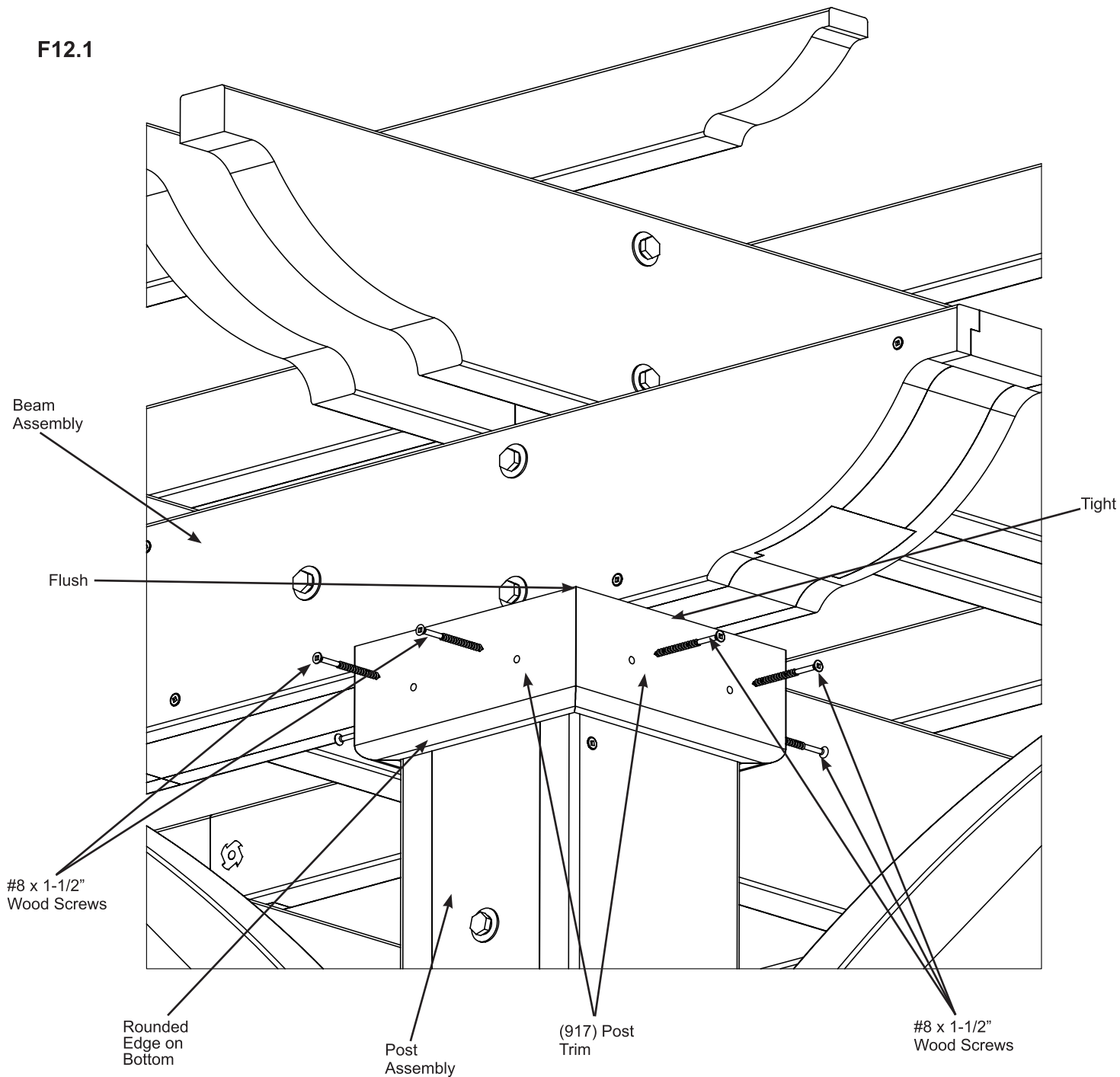
8 x #10 x 1-1/4" Pan Screw

56 x #10 x 4" Wood Screw

## Step 12: Attach Post Trims

**A:** Flush to the top of each Post Assembly and tight to the bottom of the Beam Assembly attach four (917) Post Trims to each assembly with two #8 x 1-1/2" Wood Screws per (917) Post Trim. Make sure the rounded edges face down and bolt heads are covered with the countersunk hole in (917) Post Trim. (F12.1).

F12.1



### Wood Parts

16 x (917) Post Trim

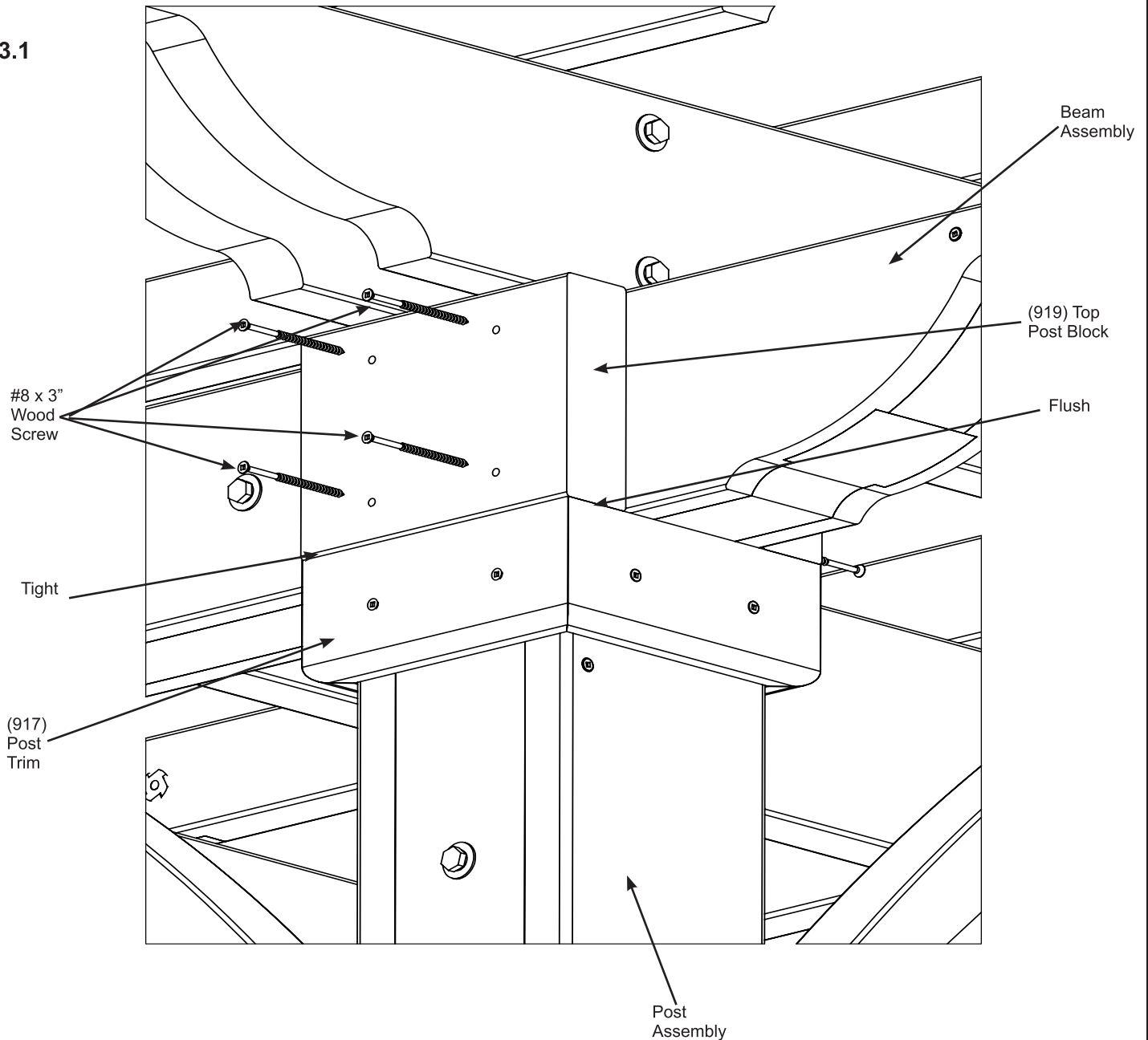
### Hardware

32 x #8 x 1-1/2" Wood Screw

## Step 13: Attach Top Post Blocks

**A:** Tight to the top and flush to the sides of outside and inside (917) Post Trims attach two (919) Top Post Blocks to each Beam Assembly with four #8 x 3" Wood Screws per (919) Top Post Block. Make sure bolt heads are covered with the countersunk holes in (919) Top Post Block. Bolts in Trellis Joist A Assemblies may need to be loosened to get (919) Top Post Blocks to fit. Be sure to re-tighten bolts when done. (F13.1)

F13.1



### Wood Parts

8 x (919) Top Post Block

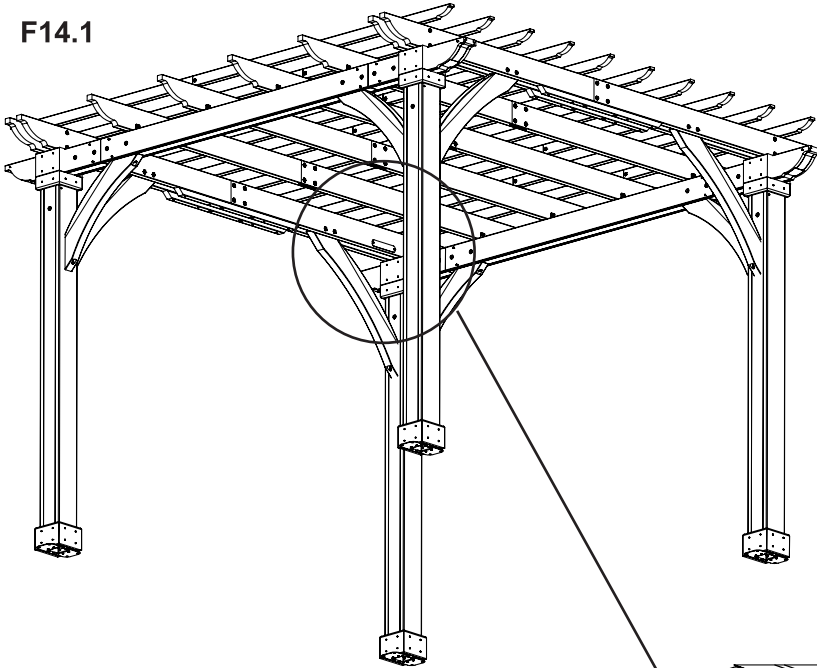
### Hardware

32 x #8 x 3" Wood Screw

## Step 14: Attach Plaque

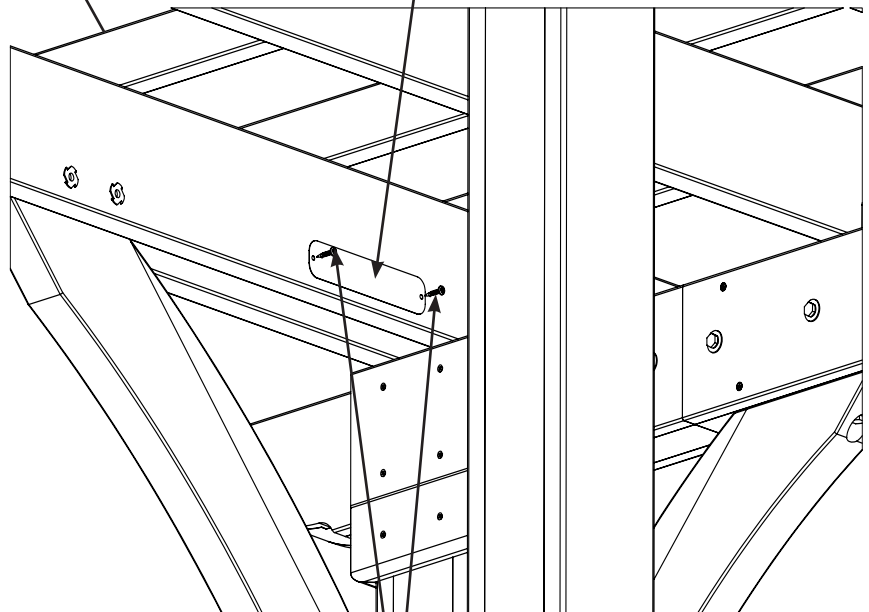
**A:** Attach Yardistry Plaque to a prominent location on your Pergola with two #10 x 1-1/4" Pan Screws. This provides warnings concerning safety and important contact information. A tracking number is provided to allow you to get critical information or order replacement parts for this specific model. (F14.1 and F14.2)

F14.1



Yardistry  
Plaque

F14.2



#10 x 1-1/4"  
Pan Screw

**Componets:**

1 x Yardistry Plaque

**Hardware**

2 x #10 x 1-1/4" Pan Screw







## Customer Registration Card - Tarjeta de Registro del Cliente - Carte d'inscription du client

First Name - Primer Nombre - Prénom	Initial - Inicial - Initiale	Last Name - Apellido - Nom de famille

Street - Calle - Rue	PO Box - Casilla postal - Boîte postale	Apt. No. - App.

City - Ciudad - Ville	State/Province - Estado/Provincia - État/Province

ZIP/Postal Code - Código Postal - ZIP/Code postal	Country - País - Pays

E-mail Address - Dirección de E-mail - Adresse courriel	Telephone Number - No. de Teléfono - N° de téléphone

Model Name - Nombre del Modelo - Nom du modèle	Model Number (from front cover) - Número de Modelo (de la portada) - N° du modèle (page de couverture)

Date of Purchase - Fecha de Compra - Date d'achat (mm/dd/yyyy) (mm/dd/aaaa) (mm/jj/aaaa)	Place of Purchase - Comprado a - Lieu d'achat

Comments - Comentarios - Commentaires:

### Mail To - Enviar por Correo a - Envoyer par courrier à:

Yardistry  
375 Sligo Road West, PO Box 10  
Mount Forest, Ontario, Canada, N0G 2L0  
Attention: Consumer Relations  
Atención a: Servicio de Atención al Cliente  
À l'attention de: Service à la clientèle

### Online Registration - Registro online - Enregistrement en ligne:

<http://yardistrystructures.com/warranty.php>

Yardistry would like to say "Thank you" for your time and feedback.  
Yardistry quiere "Agradecerle" por su tiempo y su opinión.  
Yardistry aimerait vous remercier d'avoir pris le temps de répondre au sondage.